

INFINUM RETROFIT KIT INSTALLATION INSTRUCTIONS

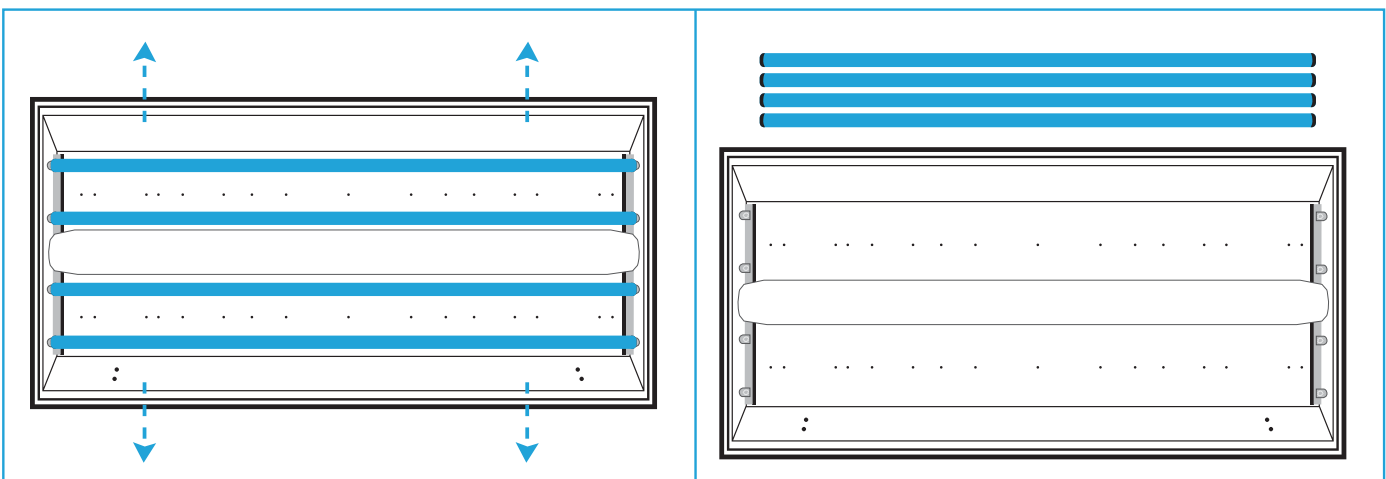


READ AND FOLLOW ALL SAFETY INSTRUCTIONS

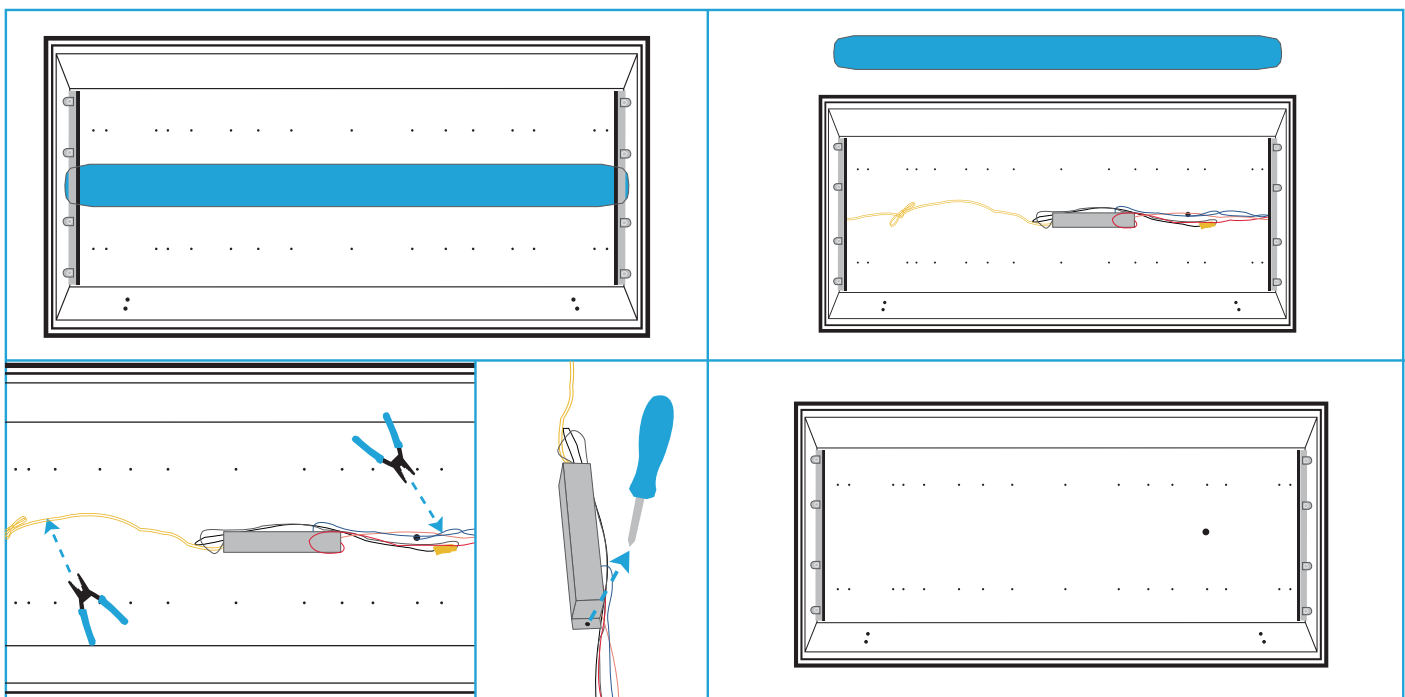
- WARNING -

To reduce the risk of death, electric shock, injury, property damage from fire, falling parts, and other hazards:

- Service of the equipment must be performed by qualified service personnel.
- Installation must be performed by a person familiar with the construction and operation of this product for any hazards involved.
- Read this document before installing, or maintaining this item, or installing a lamp. These instructions do not cover all installation, or maintenance situations. If your situation is not covered, or if you do not understand these instructions or need additional information, please contact Alcon Lighting.

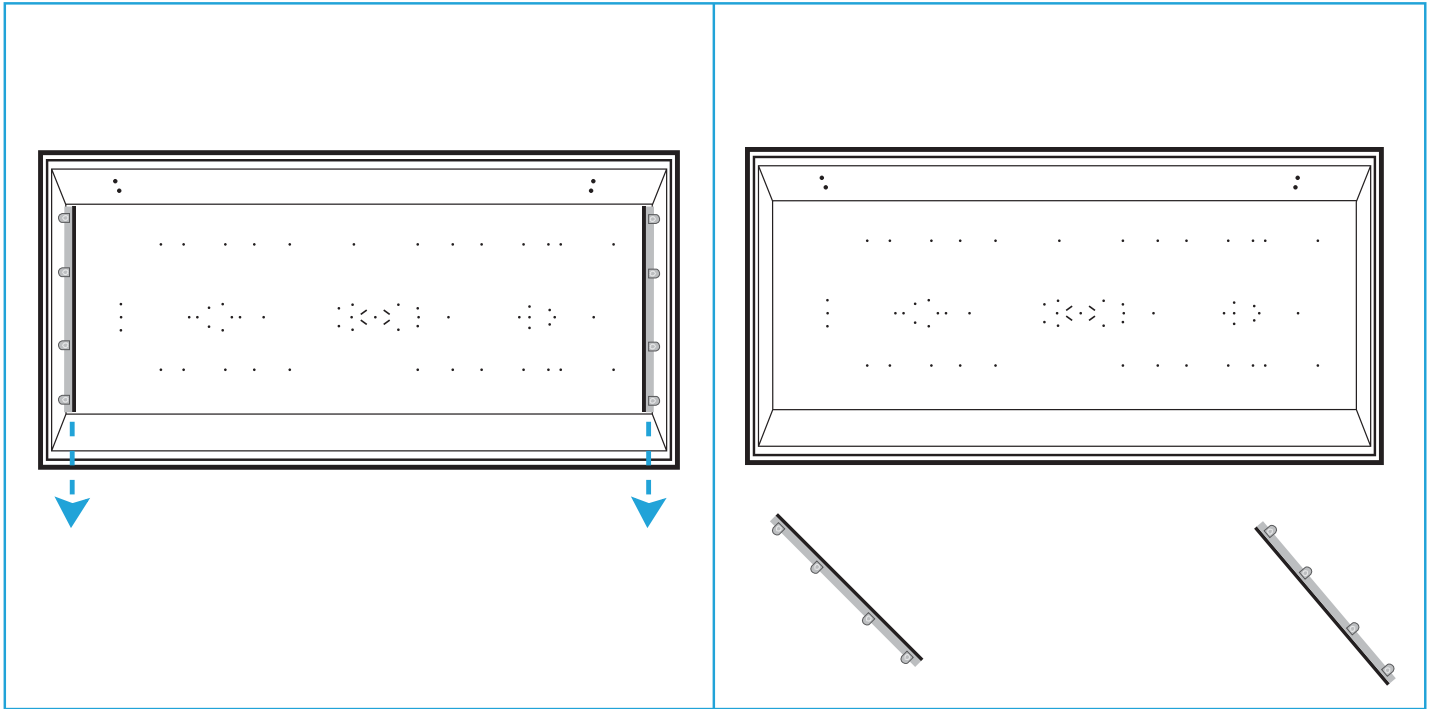


STEP 1: Remove existing fluorescent lamps. USE EXTREME CAUTION as lamps will be EXTREMELY hot.

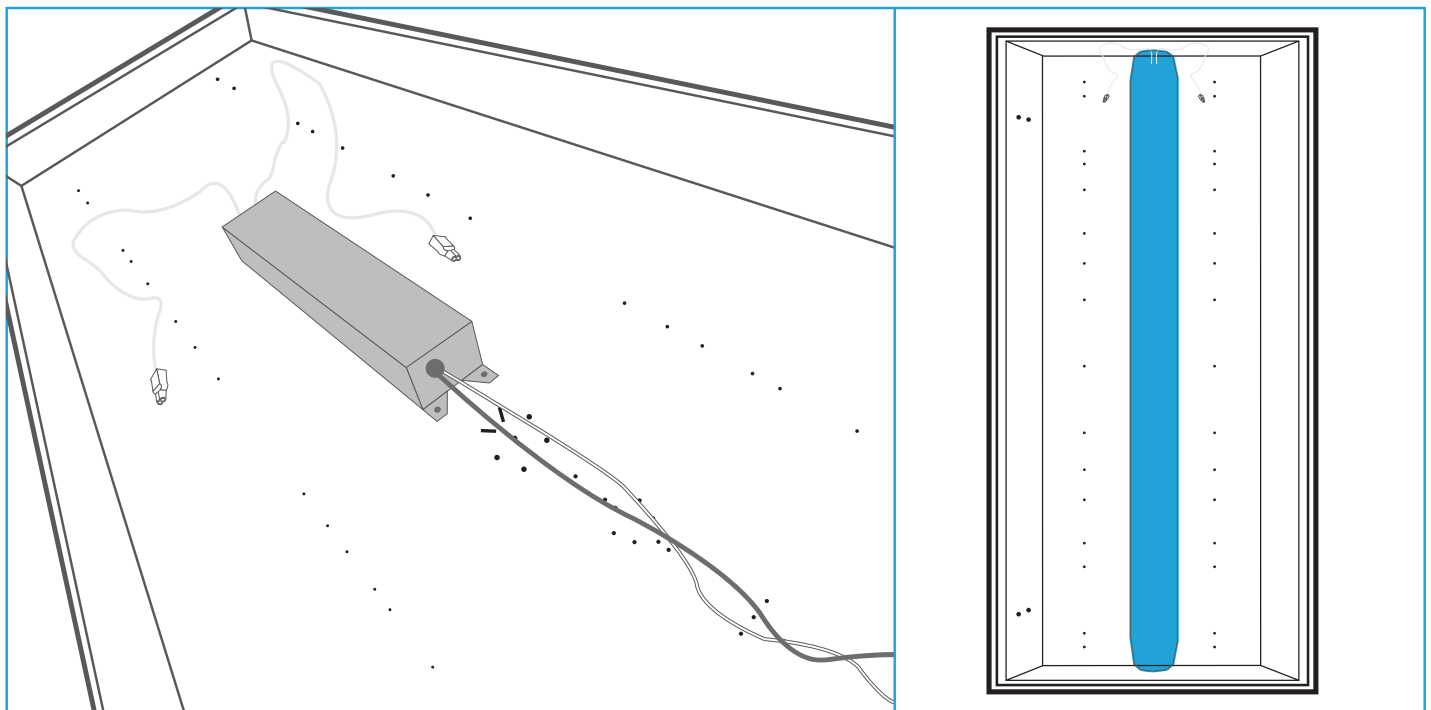


STEP 2: Once the lamps are removed, remove the wiring compartment and disconnect the ballast.

INFINUM RETROFIT KIT INSTALLATION INSTRUCTIONS

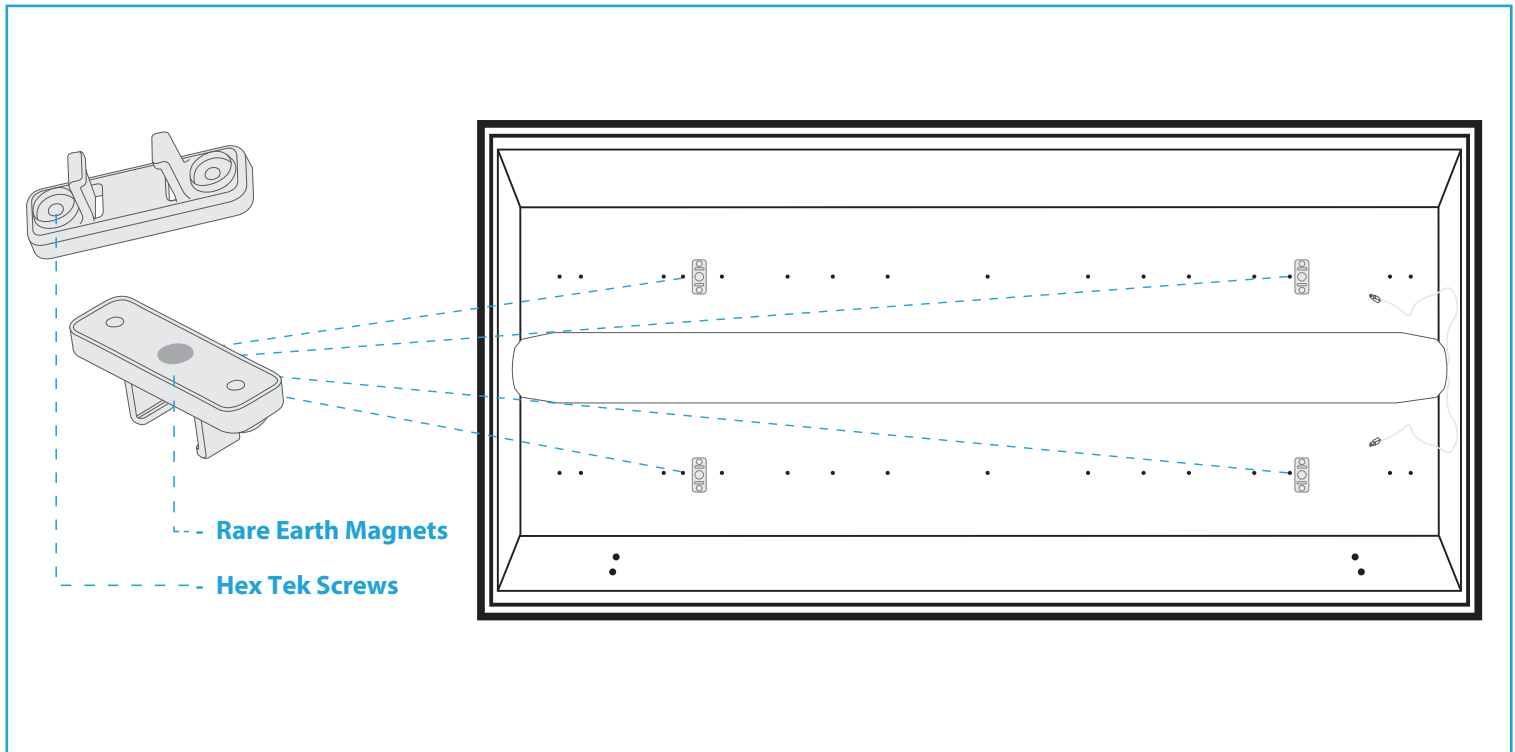


STEP 3: Remove the tombstones from each end of fixture.

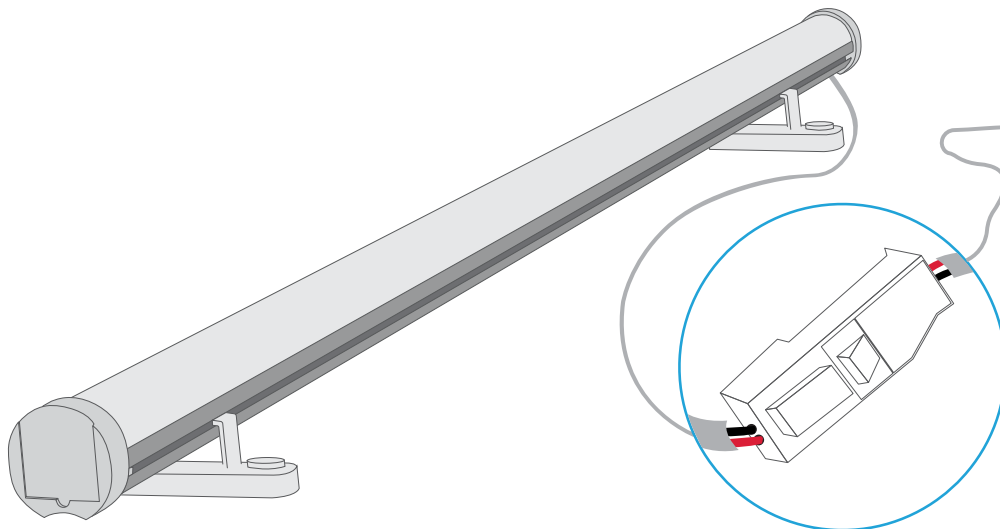


STEP 4: Once the ballast is removed replace it with the Quick Connect Driver. The driver is designed to fit in the same location as the previous ballast. Pull the DC lines to the end of the wire compartment. Replace the ballast cover.

INFINUM RETROFIT KIT INSTALLATION INSTRUCTIONS



STEP 5: Place Infinum Clips into position. Infinum Clips have strong magnets on the back. This allows the clips to be repositionable for perfect easy and perfect placement. Once the clips are in the desired position, screw them into the fixture using the provided Hex Tek Screw.



STEP 6: Clip Infinum Tube into Infinum Clips, connect the Quick Connects and push the wires back into the wire compartment.

