

INFINUM TUBE INSTALLATION INSTRUCTIONS

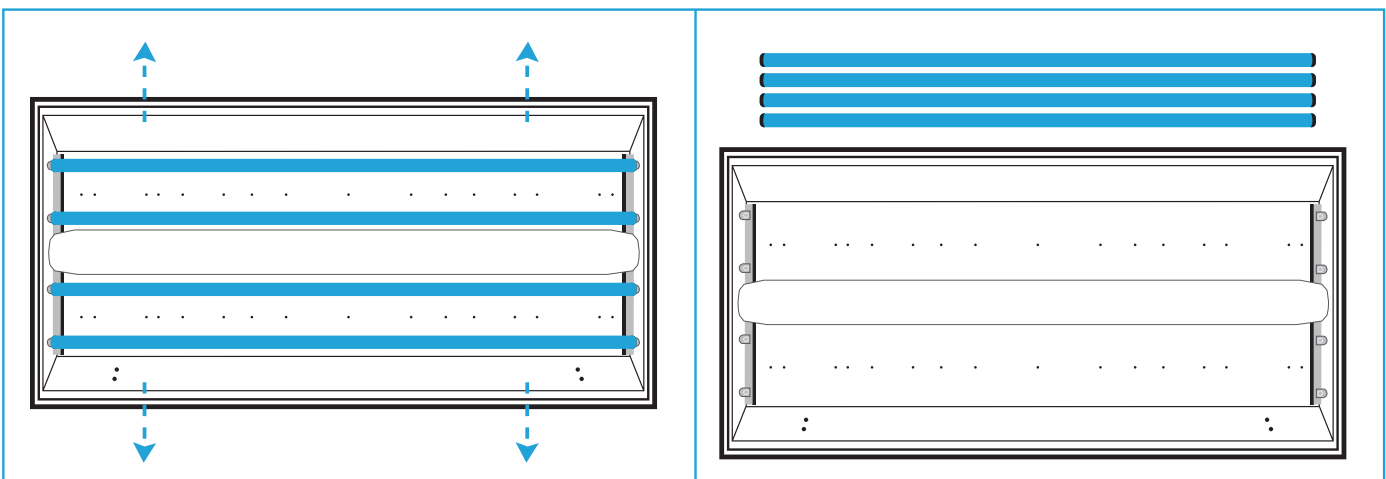


READ AND FOLLOW ALL SAFETY INSTRUCTIONS

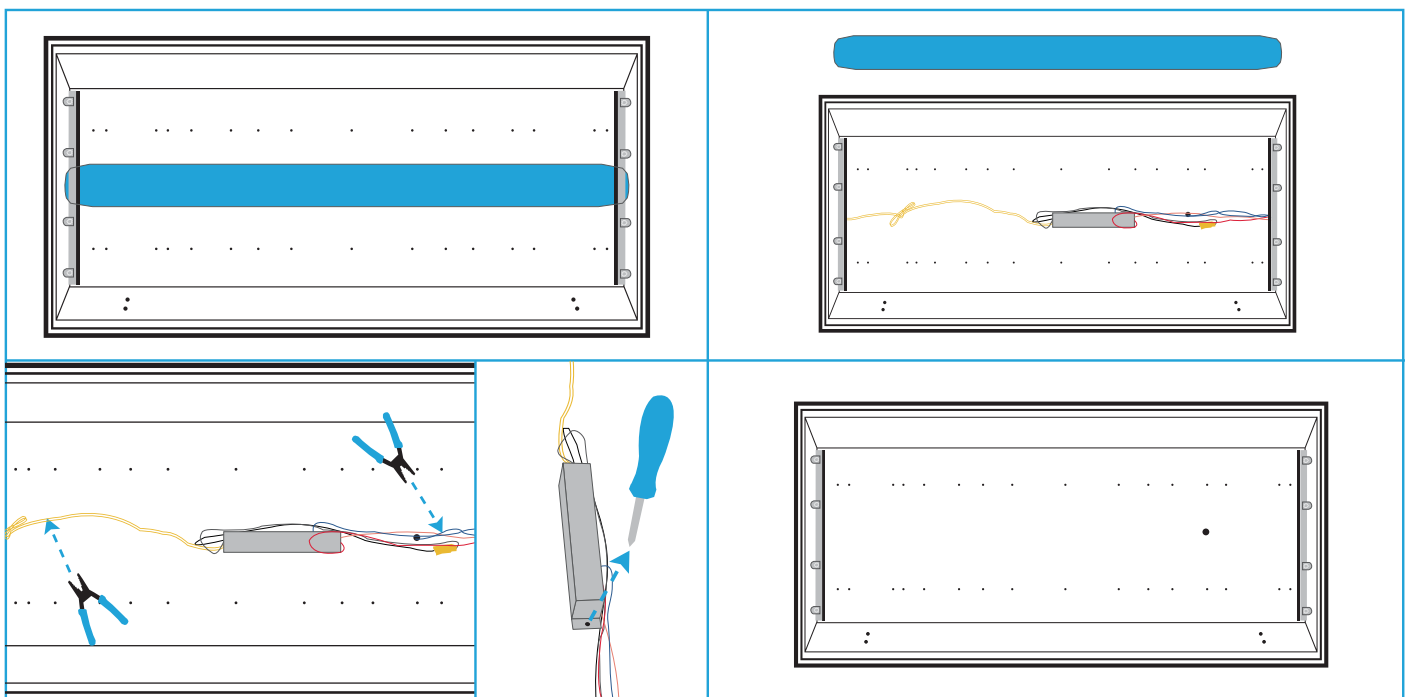
- WARNING -

To reduce the risk of death, electric shock, injury, property damage from fire, falling parts, and other hazards:

- Service of the equipment must be performed by qualified service personnel.
- Installation must be performed by a person familiar with the construction and operation of this product for any hazards involved.
- Read this document before installing, or maintaining this item, or installing a lamp. These instructions do not cover all installation, or maintenance situations. If your situation is not covered, or if you do not understand these instructions or need additional information, please contact Alcon Lighting.

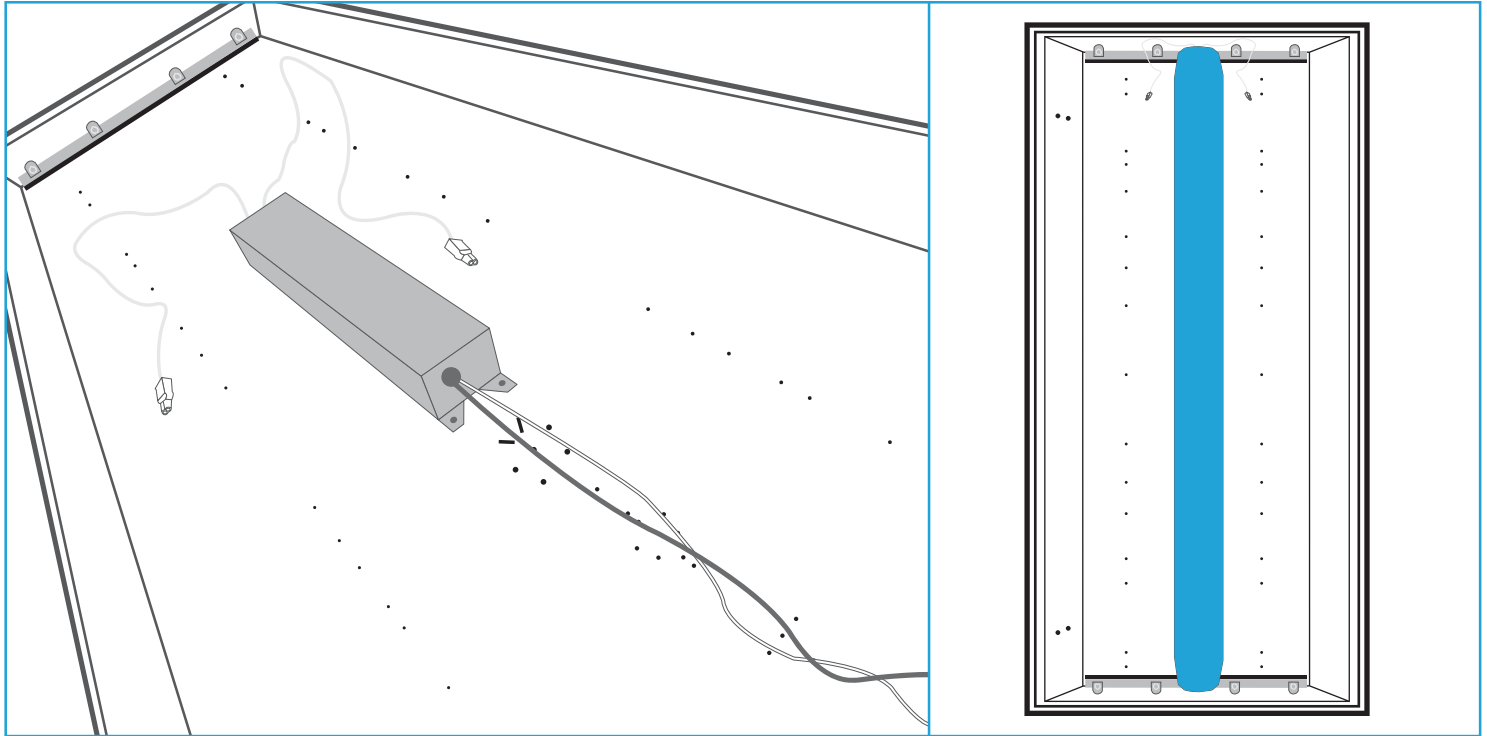


STEP 1: Remove existing fluorescent lamps. USE EXTREME CAUTION as lamps will be EXTREMELY hot.

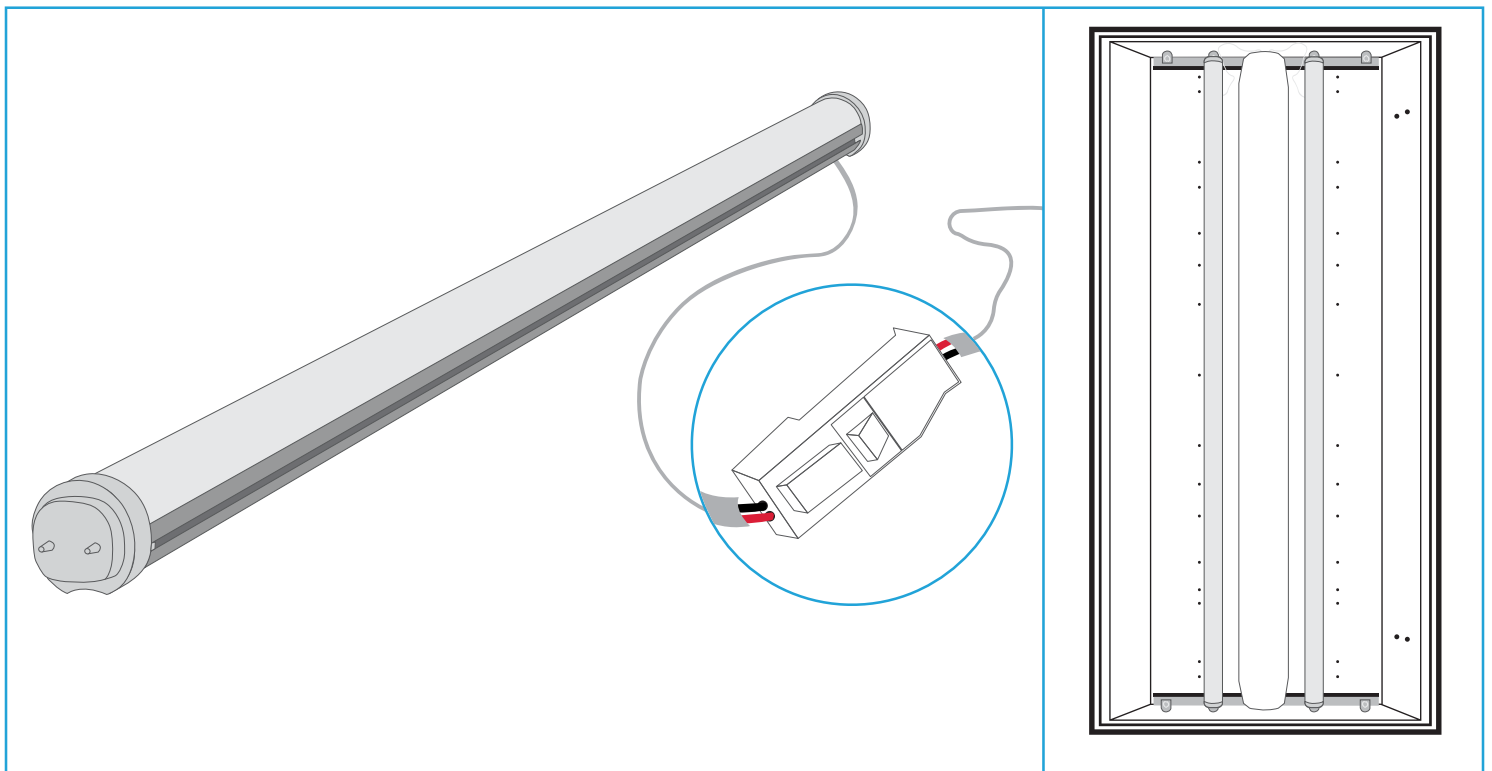


STEP 2: Once the lamps are removed, remove the wiring compartment and disconnect the ballast.

INFINUM INSTALLATION INSTRUCTIONS



STEP 3: Once the ballast is removed replace it with the Quick Connect Driver. The driver is designed to fit in the same location as the previous ballast. Pull the DC lines to the end of the wire compartment. Replace the ballast cover.



STEP 4: Utilize the existing tombstones to hold the Infinum Tubes. Once the tubes are held in place simply connect the quick connects and push the lines back into the wire compartment.