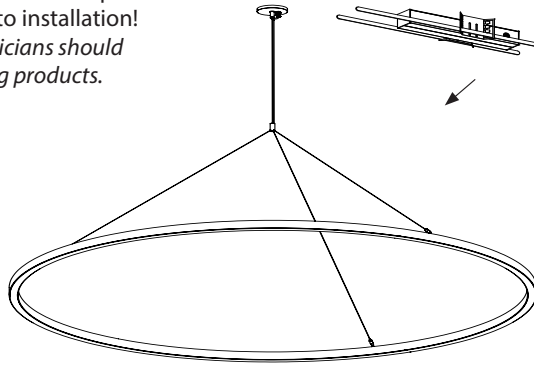


**WARNING:** Disconnect main power at the source prior to installation! Only qualified electricians should install Alcon Lighting products.

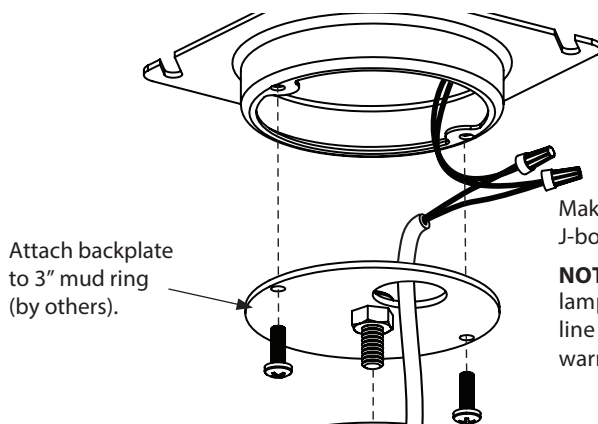
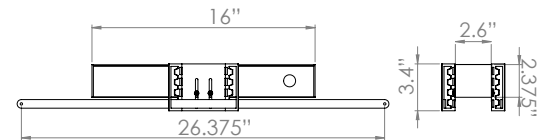


Remote driver housing includes bar hangers to mount above suspended ceilings.

Drivers must remain accessible after installation, and must not be mounted closer than 4 inches apart.

Bar hangers and brackets may be removed for direct structure mount with screws. Use conduit (by others) to connect J-box to driver housing.

Maximum distance from lamp to driver is 100 feet, with 10AWG wire.



Attach backplate to 3" mud ring (by others).

Make connections in J-box to remote driver.

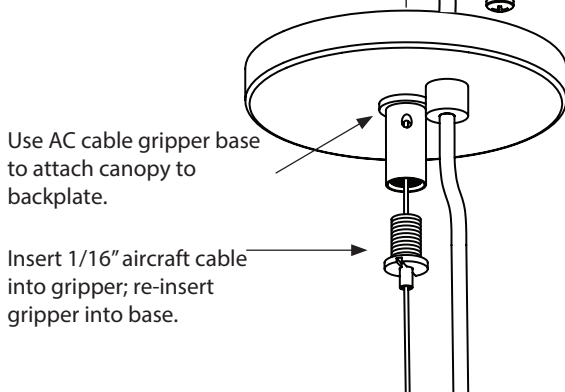
**NOTE:** Connection of lamp cord directly to line voltage voids warranty.

**Circline wiring:**

Red to 24VDC positive  
Blue to 24VDC negative

**Dimming:**

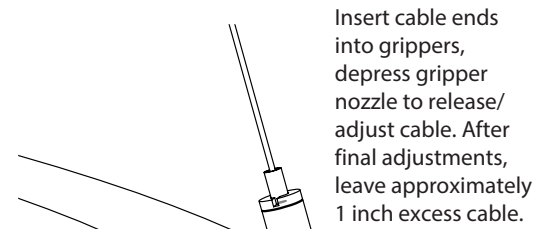
Purple and Gray wires from driver to 0-10V dimmer. Cap if not used.



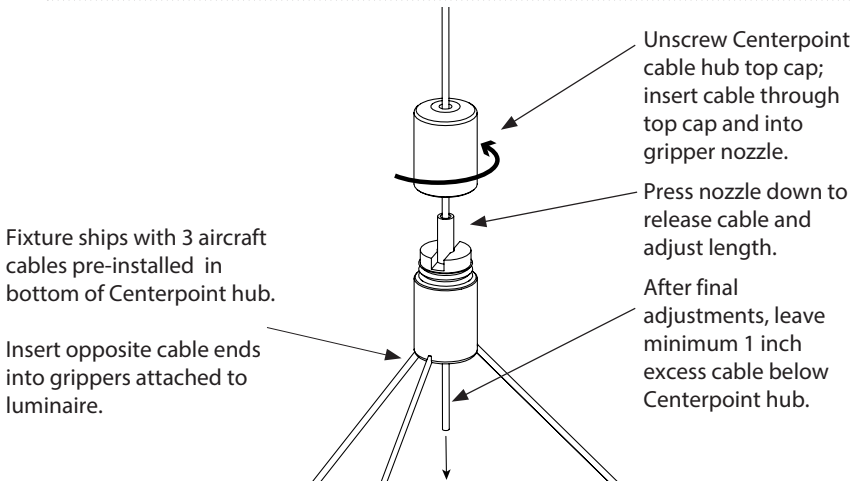
Use AC cable gripper base to attach canopy to backplate.

Insert 1/16" aircraft cable into gripper; re-insert gripper into base.

Feed lamp cord through threaded nipple and back plate. Use O-rings (provided), or cable ties, to tether cord at intervals along aircraft cable.



Insert cable ends into grippers, depress gripper nozzle to release/adjust cable. After final adjustments, leave approximately 1 inch excess cable.



Fixture ships with 3 aircraft cables pre-installed in bottom of Centerpoint hub.

Insert opposite cable ends into grippers attached to luminaire.

Unscrew Centerpoint cable hub top cap; insert cable through top cap and into gripper nozzle.

Press nozzle down to release cable and adjust length.

After final adjustments, leave minimum 1 inch excess cable below Centerpoint hub.