

Project Name:

Type:

Quantity:

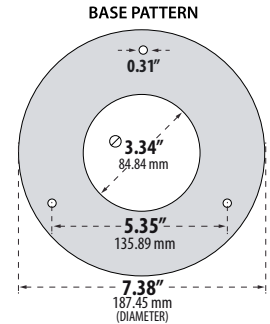
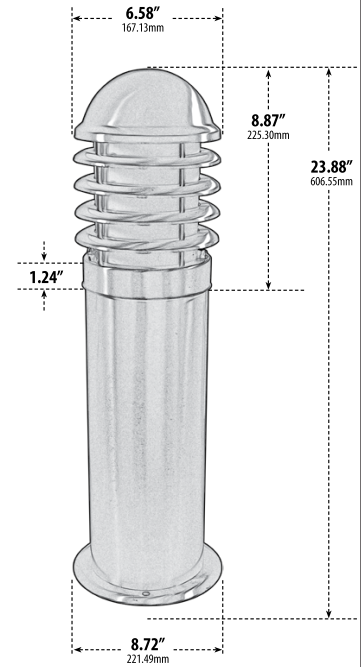
FIXTURE SPECIFICATIONS

INTENDED USE

Alcon Lighting's Bitta I 9047 Dome 316 Grade Stainless Steel LED Bollard is configured for outdoor surface mount applications in commercial and industrial buildings. Ideal for pathways, walkways, entrances, and driveways.

ADDITIONAL FEATURES

- Construction:** 316 Grade Stainless Steel
 - Lens:** White, heat resistant, polycarbonate lens
 - Lamp Type:** Tubular G24 2P
 - Lumens:** 2000 Lumens
 - Wattage:** 20 Watts
 - Voltage:** 120-277V
 - Listings:** ETL, CA Title-24
- Mounting hardware included



Bitta-I 9047 Dome 316 Grade Stainless Steel 24" LED Bollard Area Lighting



Ordering Information: Example: (9047-30K)

Model	Color Temperature	
9047	30K	3000K
	50K	5000K