

SHOP NOW >

FEATURES & SPECIFICATIONS

INTENDED USE

The **Bandini Three-Tier LED Suspended Pendant** is Architectural Grade with aluminum and frosted rings and opal diffused LED. The Bandini Three-Tier LED is made of high quality aluminum and is ideal for energy efficiency and prolonged lifespan and brings clean lines and clear light for an elegant lighting solution for any space.

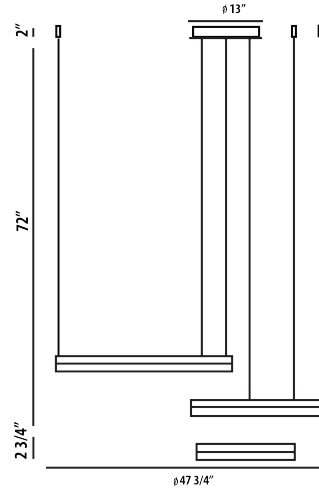
DETAILS

Model Number: 12247
D 47.75" (121.285cm) x **H** 2.75" (7.0cm)
Weight: 28.6 lbs
Finish: Brown

ADDITIONAL FEATURES

Type: Suspended, Pendant
Voltage: 120V
Wattage: 106W
Lumens: 7400lm
Light Color Temp: 3000K
CRI: 80+
Dimming: ELV Dimming
Shade: Acrylic
Support: 72" Adjustable Aircraft Cable
 Bulb included

LISTINGS



Alcon Lighting **12247 Bandini Three-Tier 47.75 Inches Architectural LED Suspended Pendant**

Ordering Information:

Example: (12247-20-106-74-30K)

Model	Voltage	Watts	Lumens	Light Color Temp.
<input type="text" value="12247"/> Bandini (Three-Tier)	<input type="text" value="120"/> 120V	<input type="text" value="106"/> 106W	<input type="text" value="74"/> 7400lm	<input type="text" value="30K"/> 3000K