

## FEATURES & SPECIFICATIONS

### INTENDED USE

The **Henley Landscape Architectural LED Drive-Over Rated Well Light** is designed with durable, tempered lens and a silicone sealed gasket to protect from water, moisture, and insects. The Henley is an ideal solution for landscape applications looking for quality and energy efficient lighting.



### DETAILS

**L** 4.625" x **Dia** 4.875"

**Construction:** Injected Molded Composite for High UV Stability

**Lens:** Clear, Tempered, Heat Resistant Drive-Over Rated (2,205 LBS) Flat Lens Included

**Socket:** Top Grade Adjustable (25°) Ceramic Bi-Pin Socket with Retention Clip and Teflon-Jacketed Wire Lead

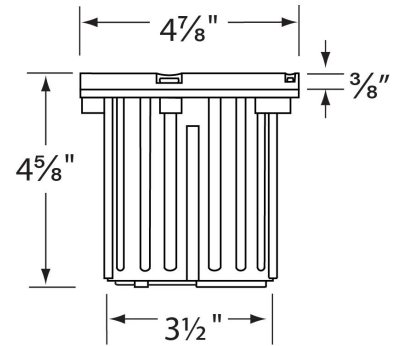
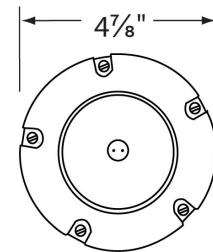
**Gasket:** Weather Tight Protection

**Mounting:** In-Ground Direct Burial or Concrete Encasement

**Lamp:** 12V MR16 Halogen 50W Max

**Wiring:** 3 FT 18-2 SJT-W Direct Burial Cord

**Electrical:** Remote 12V Transformer Required



### ADDITIONAL FEATURES

**Voltage:** 9-17V

**Life:** 50,000 Hours

**Listings:** Limited 10 Years Warranty on Fixture Against Manufacturer's Defects

### Ordering Information:

Example: (9109-3W15)

Model	Wattage   Lumens   Color Temp   Beam
<input type="text" value="9109"/>	<input type="text" value="3W15"/>
<b>9109</b>	<b>3W15</b> 3.5 watts / 270 lms / 2700K / 15° Spot
	<b>3W45</b> 3.5 watts / 270 lms / 2700K / 45° Flood
	<b>3W60</b> 3.5 watts / 270 lms / 2700K / 60° Wide Flood
	<b>5W15</b> 5 watts / 470 lms / 3000K / 15° Spot
	<b>5W38</b> 5 watts / 470 lms / 3000K / 38° Flood
	<b>5W60</b> 5 watts / 470 lms / 3000K / 60° Wide Flood