

## FEATURES & SPECIFICATIONS

### INTENDED USE

The **Easton Landscape Architectural LED Drive-Over Rated Well Light** is designed with durable, tempered lens and a silicone sealed gasket to protect from water, moisture, and insects. The Easton is an ideal solution for landscape applications looking for quality and energy efficient lighting.



### DETAILS

**W** 3.875" x **L** 14.5" x **Dia** 3.875"

**Construction:** Fixture Mounted with Stainless Steel Retention Clips Inside PVC Sleeve

**Lens:** Clear, Tempered, and Heat Resistant Convex Glass  
*Extra Flat Lens Included*

**Socket:** Top Grade Ceramic Bi-Pin Socket with Retention Clip

**Gasket:** Weather Tight Protection

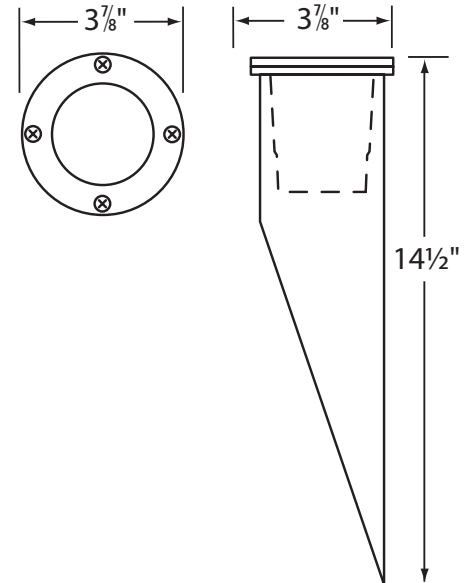
**Mounting:** In-Ground Direct Burial or Concrete Encasement

**Lamp:** 12V MR16 Halogen 50W Max

**Wiring:** 3 FT 18-2 SJT-W Direct Burial Cord

**Electrical:** Remote 12V Transformer Required

**Finish:** Stainless Steel



### ADDITIONAL FEATURES

**Voltage:** 9-17V

**Life:** 50,000 Hours

**Listings:** Limited Lifetime Warranty on Fixture

### Ordering Information:

Example: (9020-SS-3W15-SNP-CL-RD)

Model      Wattage | Lumens | Color Temp | Beam

Options




<b>9020-SS</b>	<b>3W15</b>	3.5 watts / 270 lms / 2700K / 15° Spot
	<b>3W45</b>	3.5 watts / 270 lms / 2700K / 45° Flood
	<b>3W60</b>	3.5 watts / 270 lms / 2700K / 60° Wide Flood
	<b>5W15</b>	5 watts / 470 lms / 3000K / 15° Spot
	<b>5W38</b>	5 watts / 470 lms / 3000K / 38° Flood
	<b>5W60</b>	5 watts / 470 lms / 3000K / 60° Wide Flood

<b>SNP<sup>1</sup></b>	MR16 Snap On Holder
<b>CL<sup>2</sup></b>	Color Lens
<b>LS</b>	Linear Spread Lens
<b>FR</b>	Frosted Lens
<b>PR</b>	Prismatic Lens
<b>HC</b>	Honeycomb Louver

<sup>1</sup>Snap On Holder required to hold lenses and louver

<sup>2</sup>Please Specify Color:

- AM - Amber
- BL - Blue
- GR - Green
- RD - Red
- YL - Yellow