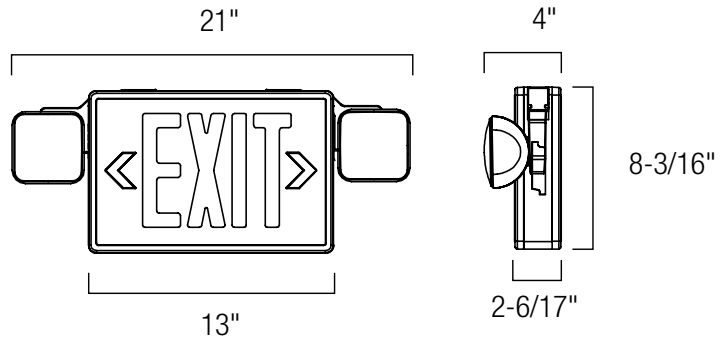


SHOP NOW >



FIXTURE SPECIFICATIONS

INTENDED USE

The **EMDUAL Emergency/LED Combination Light** features full vertical adjustment and is designed to require minimal maintenance. The EMDUAL is an ideal option for emergency lighting applications.

THIS PRODUCT IS ONLY TO BE INSTALLED BY A QUALIFIED TECHNICIAN IN ACCORDANCE WITH NATIONAL AND LOCAL ELECTRICAL CODES.

FEATURES

- Construction:** Injection-molded Thermoplastic Housing
5VA Flame Retardant
- Two Fully Adjustable Glare-Free Light Heads
- Electrical:** Self-Testing and Diagnostics
- Face/Exit:** Double
- Mounting:** Suitable for Wall or Ceiling
Hardware Included
- Battery:** 3.6V 3W Ni-Cad Battery
Requires 24 Hours to Recharge
- Voltage:** 120/277 VAC
- Wattage:** 1W
- Lumens:** 75 lms
- Color Temperature:** 6000K
- Emergency:** 90 Minute Emergency Operation
- Listings:** UL/cUL Listed
NFPA 70, NFPA 101
Suitable for Damp Locations



ORDERING INFORMATION Example: (16111-G)

Model	Lettering
16111	G Green R Red