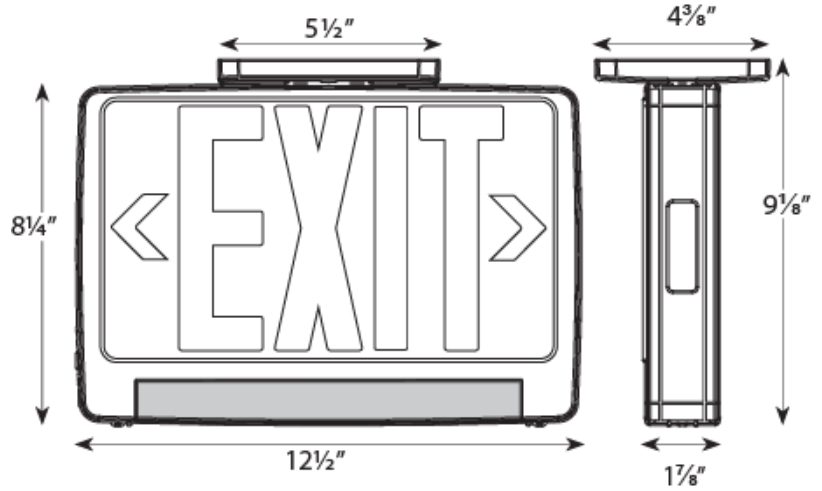


SHOP NOW >



### FIXTURE SPECIFICATIONS

#### INTENDED USE

The **EMEXCL Architectural LED Aluminum Exit & Emergency Combo** features consistently bright illumination with an energy efficient, long life light. The EMEXCL is an ideal option for interiors where emergency exit lighting is needed.

#### FEATURES

- Construction:** Injection-Molded Engineering Grade, 5VA Flame Retardant, High-Impact, Thermoplastic Remote Capable Standard
- Reflector:** Adjustable High Performance, Chrome Plated, Acrylic, UV Stabilized
- Electrical:** Charge Rate/Power "ON" LED Indicator Light and Push-to-Test Switch for Mandated Code Compliance Testing
- Battery:** 4.8V Long life, Maintenance-Free Rechargeable NiCd Fully Automatic Solid-State, Two Rate Charger
- Mounting:** EZ-Snap Thermoplastic Mounting Canopy Included
- Voltage:** Dual 120/277V
- Wattage:** 4.5W (36 LEDs x 0.125 watts) per Light Pipe
- Self-Diagnostic Testing:** Continuously Diagnoses Units' Performance and Test Systems
- Warranty:** 5 Years
- Listings:** Meets UL924, NFPA 101 Life Safety Code, NEC, OSHA, Local, and State Codes  
UL Listed for Damp Locations 32° F (0°C) - 122°F (50°C)



### ORDERING INFORMATION Example: (16109-RD-WHI-EM)

Model	Letter Color	Housing	Options
<b>16109</b>	<b>RD</b> Red <b>GR</b> Green	<b>WHI</b> White <b>BLK</b> Black	<b>SDT</b> Self-Diagnostic Testing