

Project Name:

Type:

Quantity:

**FIXTURE SPECIFICATIONS**

**INTENDED USE**

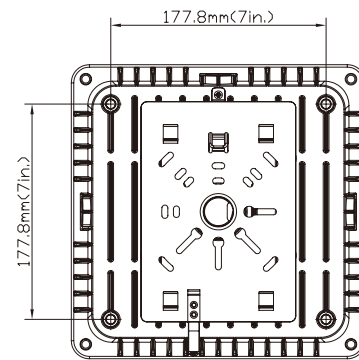
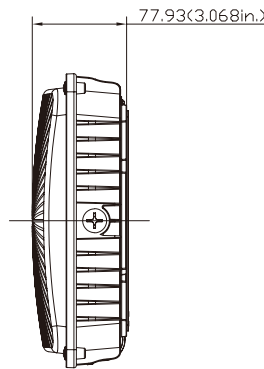
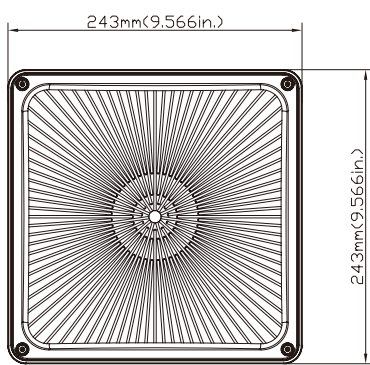
Downlighting for storage, parking and shopping spaces, as well as entryways and walkways, comes in a powder-coated bronze finish featuring a low profile design and heat resistant lens. The 10-inch canopy light affords solid, clear lighting for any low-level security area.

**FEATURES**

- Construction:** Sealed die-cast aluminum profile
- Finish:** UV resistant powder-coated bronze finish for indoor and outdoor applications
- Color Temperature:** 5000K
- Voltage:** 120-277V
- Wattage:** 27W, 40W, 60W
- Dimming:** 0-10V Dimming driver is standard
- Lens:** Heat-resistant polycarbonate optical lens
- Low Operating Temperature:** -22° F
- Warranty:** 5 years carefree for parts & components (labor not included)
- Listings:** cULUS, IP65, DLC premium



THIS PRODUCT IS ONLY TO BE INSTALLED BY A QUALIFIED TECHNICIAN IN ACCORDANCE WITH NATIONAL AND LOCAL ELECTRICAL CODES.



**ORDERING INFORMATION** Example: (16005-40W-BZ)

Model	Wattage & Lumens	Finish
<b>16005</b>	<b>27W</b> 27 watts   3800 lms <b>40W</b> 40 watts   5400 lms <b>60W</b> 60 watts   8000 lms	<b>BZ</b> Bronze <b>WH</b> White