

Project Name:

Type:

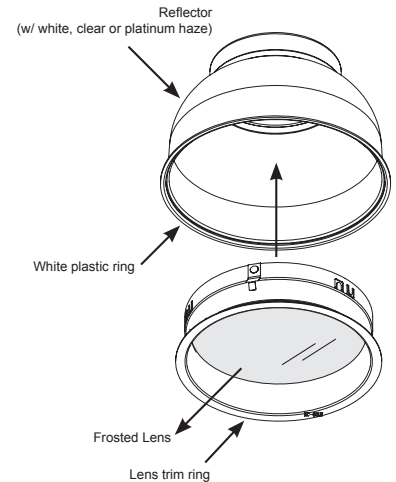
Quantity:



Architectural Frame



Commercial Frame



FIXTURE SPECIFICATIONS

INTENDED USE

The Mirage Architectural LED New Construction Frame Recessed Down Light delivers energy efficient and clear light to commercial, hospitality and residential interior lighting applications. Our modern profiles and stylish designs offer excellent direct lighting and exceptional performance and versatility in offices, classrooms, conference rooms, museums, retail outlets, hotels, restaurants, and more.

ADDITIONAL FEATURES

Construction:

Architectural - Heavy gauge die-formed galvanized steel mounting frame / open conical shape reflector

Commercial - galvanized steel plaster frame

Mounting: Non-insulated ceilings or where insulation can be kept 3" from all side of housing

Architectural - Vertically adjustable brackets for conduit or C channel

Commercial - Bar hanger for T-Bar

Ceiling Thickness: 1-1/2"

Junction Box: Galvanized steel with (7) 1/2" knockouts, (4) pryouts, snap-on cover

Protections: Thermal, surge, output open load, over-current and short-circuit, and over-temperature with auto recovery

Electrical: Interfaces with fire alarm panel or security system

Voltage: 120-277V

Dimming: Universal dimming standard (Works with most 3-wire ELV, 2-wire incandescent and 5-wire 0-10V dimmers)

CRI: 90+

Power Factor: > .9

Life: 50,000 Hours L70

Warranty: 5 years carefree for parts & components (labor not included)

Listings: cCULus Listed for damp location with covered ceiling, cULus wet location listed

ORDERING INFORMATION Example: (14132-6-A-11-30K-WH-NL-WD-UN)

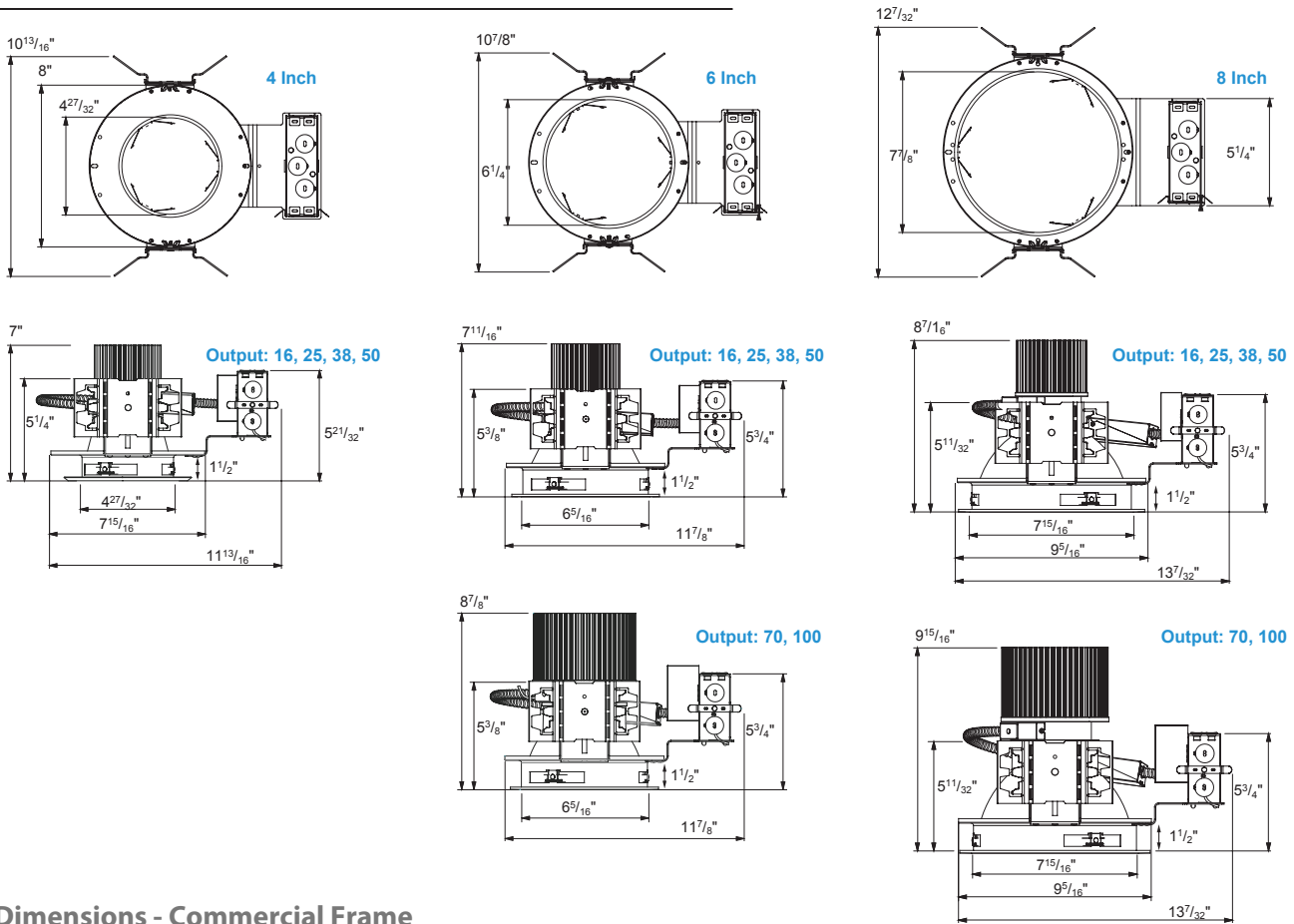
Model	Size	Frame	Lumens	Color Temp	Reflector ²	Lens	Beam Spread	Options
14132	4 Four inch	A Architectural	11 11W 1000 lms	30K 3000K	WH ^{Standard} White	NL No Lens	WD ^{Standard} Wide (60°)	EM20 20W Emergency Backup
				35K 3500K				
	6 Six inch	C Commercial	16 16W 1458 lms	40K 4000K	CL Clear	FR Frosted Lens (Wet Location)	NR Narrow (20°)	
				50K 5000K				
	8 Eight inch			25 25W 2201 lms	PLH Platinum Haze		MD Medium(40°)	
				38 38W 3035 lms				
				50 50W 3904 lms				
				70¹ 70W 5920 lms				
				100¹ 100W 7070 lms				
						WW Wall Wash		



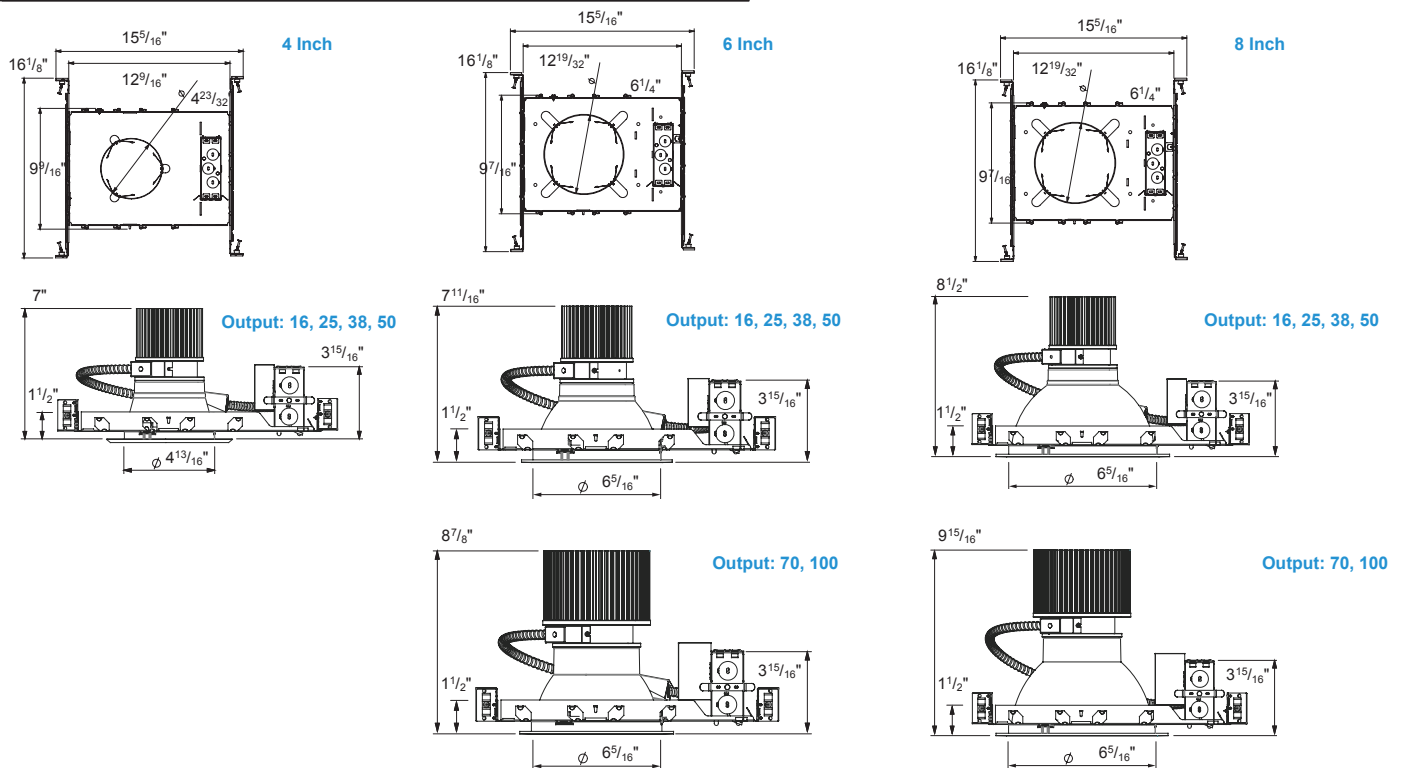
¹Only Available for 6" & 8"

²with White Plastic Ring

Dimensions - Architectural Frame



Dimensions - Commercial Frame



Compatible Dimmers

Model #	Brand	Compatible Dimmer Switch
DM (0-10V, dim to 1%)	Leviton	IllumaTech series (IP710-DL)
	Lutron	Nova series (NFTV-xx), Diva series (DVTV-xx)
DM (120Vac for Triac, ELV)	Lutron	S-603PG, DVCL-153P, DV-600P, TGCL-153P, S600P, DVELV-303P, SELV-300P, TG-600P, LG-600P, CT-103P, MAELV-600, FAELV-500
	Leviton	IPI06-1LZ, 6631-2, VPE06, 6683-IW, 6161, 6633-P, IPE04
	Cooper	DLC03P, SLC03P, DAL06P
	Lightolier	ZP260QEW
ED560	eldoLED DUALdrive	Lunatone SS-LUNAT PS2 30mA SS-LUNAT Touch or BT SS-LUNAT Comm
LDE1	Lutron Hi-lume 1% EcoSystem	Lutron PowPak Dimming Modules: RMJ-ECO32-DV-B, FCJ/FCJS-ECO Energi Savr Node (120V only): QSN-1ECO-S, QSN-2ECO-S GRAFIK Eye QS/Homeworks QS control unit (120V only): QSGRJ-_E(wireless) QSGR-_E Quantum Hub (120V only): QP2-_ _2C/4C/6C/8C Homeworks QS/myRoom Plus power module (120V only): LQSE-2ECO-D
LDE5	Lutron 5-Series EcoSystem	
MU050	Moons Intelligent indoor	Lutron Diva - DVTV-xx, DVSTV-xx

COLOR TEMPERATURE GUIDE

<p>2700K</p> <p>WARM WHITE</p> <p>friendly personal intimate</p> <p>HOMES LIBRARIES RESTAURANTS</p> <p>X</p>	<p>3000K</p> <p>SOFT WHITE GLOW</p> <p>soft warm pleasing</p> <p>HOMES HOTEL ROOMS LOBBIES RETAIL STORES</p> <p>✓</p>	<p>3500K</p> <p>NEUTRAL GLOW</p> <p>sociable inviting non-threatening</p> <p>EXECUTIVE OFFICES RECEPTION AREAS SUPERMARKETS</p> <p>✓</p>	<p>4000K</p> <p>COOL WHITE GLOW</p> <p>neat clean efficient</p> <p>OFFICES CLASSROOMS MASS MERCHANTISERS SHOWROOMS</p> <p>✓</p>	<p>5000K</p> <p>DAYLIGHT GLOW</p> <p>bright cool alert</p> <p>GRAPHICS INDUSTRY HOSPITALS GALLERIES BEAUTY SALONS</p> <p>✓</p>
--	---	--	---	--