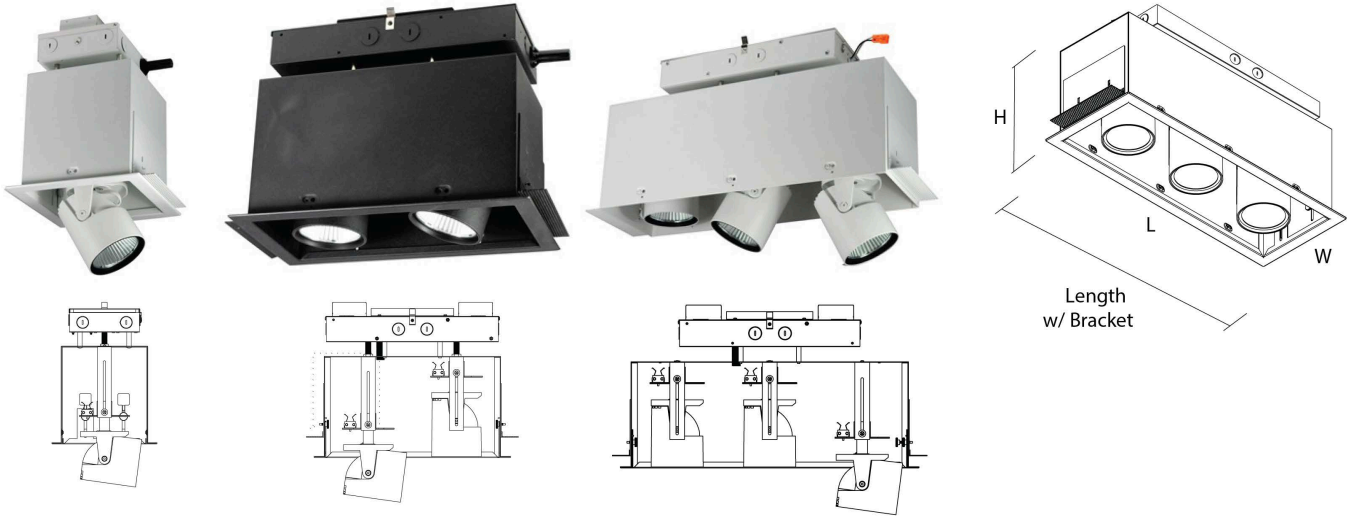


Project Name: \_\_\_\_\_ Type: \_\_\_\_\_ Quantity: \_\_\_\_\_



Alcon Lighting 14113 Pull-Down Architectural LED Adjustable Multiples Trimless Direct Lighting System

### FIXTURE SPECIFICATIONS

#### INTENDED USE

The Pull-Down Architectural LED Adjustable Multiples Trimless Direct Lighting System is available in one to three lamp configurations and the capability to be installed in new or remodel constructions. The 14113 comes standard with a mud ring for trimless installation and a flange kit is available as an option. It is an ideal option for commercial and residential applications where clean lighting and quality fixtures are desired.

#### AVAILABLE DIMENSIONS

- 1 Lamp** | W 6-1/4" x L 6-1/4" (9-3/4" w/Adj Bracket) x H 9-3/4"  
**Cut-Out:** W 6-1/4" x L 6-1/4"
- 2 Lamp** | W 6-1/4" x L 12-1/4" (15" w/Adj Bracket) x H 9-3/4"  
**Cut-Out:** W 6-1/4" x L 12-1/4"
- 3 Lamp** | W 6-1/4" x L 18-1/2" (21" w/Adj Bracket) x H 9-3/4"  
**Cut-Out:** W 6-1/4" x L 18-1/2"

#### FEATURES

- Construction:** 0.05" galvanized steel with ventilation openings for proper heat dissipation. 359° horizontal rotation, 85° vertical tilt.  
*Includes mud-in rings*
- Beam Spread:** 16° Spot or 29° Flood
- Installation:** Housing can be installed in existing drywall ceilings or can be roughed-in for new construction with optional frame-in.
- Ceiling Depth:** 1-5/8" Max
- Minimum Clearance:** 3" from thermal insulation and 1/2" from any adjacent building components
- Wattage:** 30 watts per lamp
- Lumens:** 2100 lumens per lamp
- Amp:** 0.3A per module
- CRI:** 90+
- Power Factor:** >.90
- Life:** 50,000 hours
- Operating Temperature:** -32°F (0°C) - 113°F (45°C)
- Warranty:** 5 Years carefree for parts & components (labor not included)
- Listings:** cULus listed for damp locations, Energy Star certified



### ORDERING INFORMATION Example: (14113-1L-27K-SP16-BL-120-NC)

Model	Number of Lamps	Color Temp	Beam Spread	Finish	Dimming   Voltage	Options
<b>14113</b>	<b>1L</b>	<b>27K</b> 2700K	<b>SP16</b> 16° Spot	<b>BK</b> <sup>2</sup> Black	<b>120</b> Triac/ELV or 0-10V   120V	<b>NC</b> Frame-In for New Construction <b>FK</b> <sup>4</sup> Flange Kit
		<b>30K</b> 3000K	<b>FL29</b> 29° Flood	<b>WH</b> White	<b>277</b> <sup>3</sup> 0-10V   277V	
	<b>2L</b>	<b>35K</b> <sup>1</sup> 3500K			<b>UNI</b> <sup>3</sup> 0-10V   120-277V	
		<b>40K</b> 4000K				
	<b>3L</b>					

<sup>1</sup> Only available in black finish for 1 lamp fixture | Not available for 2 lamp fixture and for the universal dimming (UNI)  
<sup>2</sup> Not available for 2 lamp fixture  
<sup>3</sup> Only available in white finish  
<sup>4</sup> Converts trimless into a flanged unit

## COLOR TEMPERATURE GUIDE

2700K	3000K	3500K	4000K	5000K
WARM WHITE	SOFT WHITE GLOW	NEUTRAL GLOW	DAYLIGHT GLOW	CRYSTAL WHITE GLOW
friendly personal intimate	soft warm pleasing	sociable inviting non-threatening	neat clean efficient	bright cool alert
HOMES LIBRARIES RESTAURANTS	HOMES HOTEL ROOMS LOBBIES RETAIL STORES	EXECUTIVE OFFICES RECEPTION AREAS SUPERMARKETS	OFFICES CLASSROOMS MASS MERCHANDISERS SHOWROOMS	GRAPHICS INDUSTRY HOSPITALS GALLERIES BEAUTY SALONS
✓	✓	✓	✓	✗