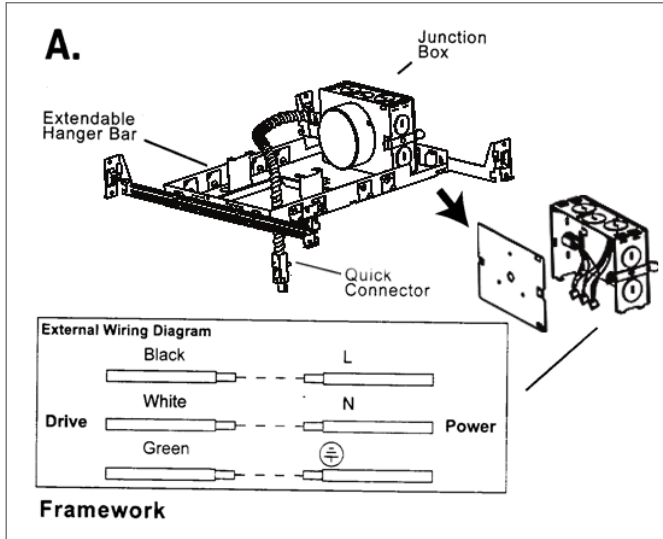


INSTALLATION INSTRUCTIONS FOR 5" LED RECESSED FIXTURE

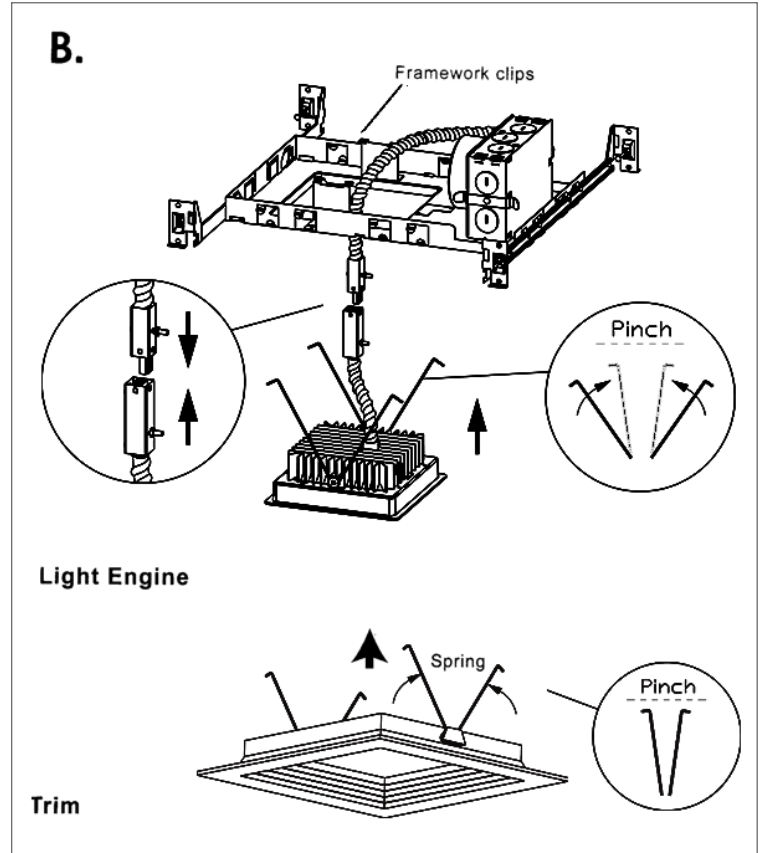
A. FRAME INSTALLATION

1. Install housing into ceiling cavity. Use extendable hangers (supplied) by inserting into brackets on housing.
2. Remove junction box cover. Connect supply wires to lead wires (per wiring diagram)



B. TRIM INSTALLATION

1. Connect a male and a female connector.
2. Pinch torsion springs together, inset them through framework clips.
3. Push trim up to frame until seated.



C. DRIVER REPLACEMENT

1. Disconnect quick connector and remove trim.
2. Remove LED driver board from junction box by releasing metal clip.
3. Unscrew driver from metal plate and disconnect wire.

