

FIXTURE SPECIFICATIONS

INTENDED USE

The Abright Architectural LED Troffer and Parabolic Fixture Specification Grade light fixture is designed to reduce glare and provide soft, dispersed illumination that is highly efficient and cost-saving with easy installation. The Abright Architectural LED Troffer is ideal for commercial and institutional environments.

AVAILABLE SIZES

- 2x2 | W 23.78" x L 23.78" x Dp 3.62"
- 2x4 | W 23.78" x L 47.71" x Dp 3.62"

FEATURES

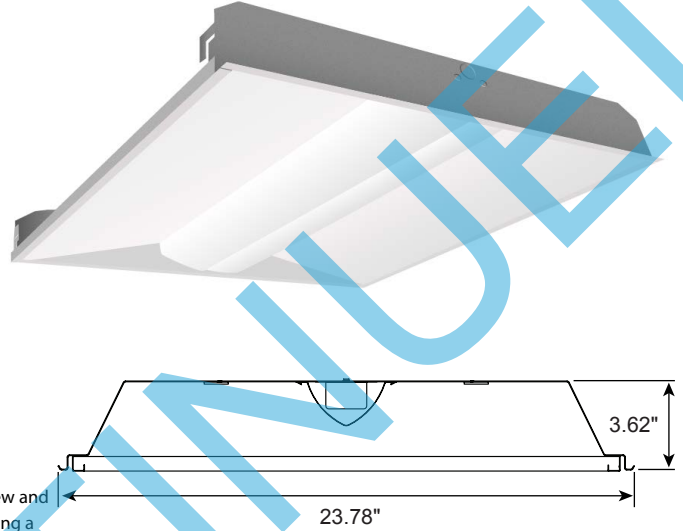
- Construction:** High reflectance optical engine delivers main beam focus
- Lens:** Linear ribbed frosted acrylic lens overlay
- Voltage:** 120-277V (50/60 Hz) Constant Current
- Dimming:** 0-10V
- CRI:** 85
- Power Factor:** >0.95
- THD:** <10%
- Operating Temp:** -4°F-122°F
- Life:** L70 - 152,000 Hrs
- Warranty:** 10 Years Carefree for Parts & Components (Labor Not Included)

OPTIONS

- 5 Channel Color Tuning:**
 - Full spectrum color tuning
 - All white color temperatures (1650K-8000K)
 - Bluetooth app controlled: Lumenetix
 - Gamut control for unlimited control and customization using the Saturation and Hue controls
 - In-fixture component

Lutron Vive:

Wireless lighting control solution for new and existing commercial buildings, combining a variety of lighting control strategies with controls and sensors to maximize efficiency and system flexibility and reduce energy consumption by 60% or more.



ORDERING INFORMATION Example: (14064-14-30K-WH)

Model	Size	Wattage Lumens	Color Temperature	Options
14064	2x2	22	35K	EM
		26	3500K	Emergency
		35	40K	Backup Battery
	2x4	25	4000K	90
		34	3W	90+ CRI
		46	3 Channel Tunable White	LV1 ¹
			5W	Lutron Vive System Enabled
			5 Channel Color Tuning	