

FIXTURE SPECIFICATIONS

INTENDED USE

Our 14031-4 architectural 3-inch square LED open-reflector wall wash recessed light fixture is designed for new construction installation only. The energy-efficient LED housing with IC rating for direct contact with loosefill blown and rolled insulation is standard. Airtight option is designed to restrict air flow from room into plenums in compliance to the WSEC - Washington State Energy Code, (less than 2.0 CFM-cubic feet per minute).

FEATURES

Adjustability: Collar bracket provides 90° of rotation, in 5° increments for positioning before drywall installation

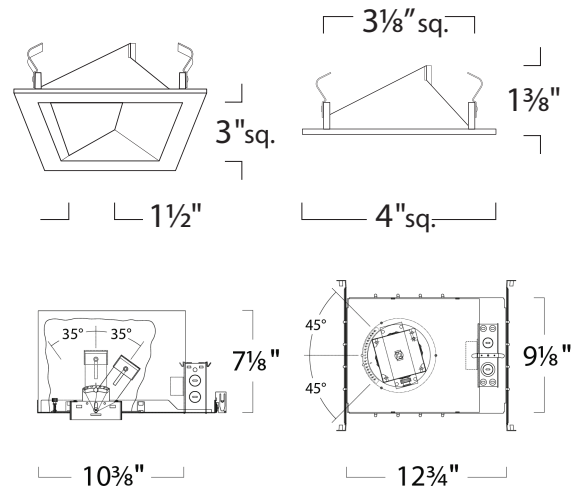
Mounting: (2) 24" adjustable hanger bars with 90° repositioning ability supplied. Lamp holder assembly allows 35° tilt and 1-1/2" vertical lamp source adjustment

Driver: Electronic direct current LED driver integrally mounted in electric junction box

Dimming: Non-dimming is standard. 120/277V universal dimming that works with most 3-wire ELV, 2-wire Incandescent and 5-wire 0-10V dimmers is available

CRI: 80 standard; 90+ CRI option

Listings: cETLus, Title 24/JA8, Damp-location, Assembled in the US



3" Square LED Housing



Alcon 14031-4 Architectural 3" Square LED Open Reflector Wall Wash Recessed Light Fixture

Ordering Information: Example: (14031-4-12-30K)

Model	Wattage/Lumens	Color Temperature	Beam Spread	Additional Options
14031-4	12 12 watts /600lumens	30K 3000K <small>Standard</small>	45 45° Narrow Flood <small>Standard</small>	WL Wet Location EM Emergency Remote (5W; Above ceiling access required)
	19¹ 19 watts /1200lumens	27K 2700K	25 25° Spot	
		35K 3500K	60 60° Wide Flood	
		40K 4000K		
		27K-C90 2700K 90+ CRI		

¹ Not rated for Insulation Contact