

Note: Read instructions completely and carefully before performing installation. If you are unfamiliar with electrical wiring consult with a qualified licensed electrician.

WARNING - SAFETY

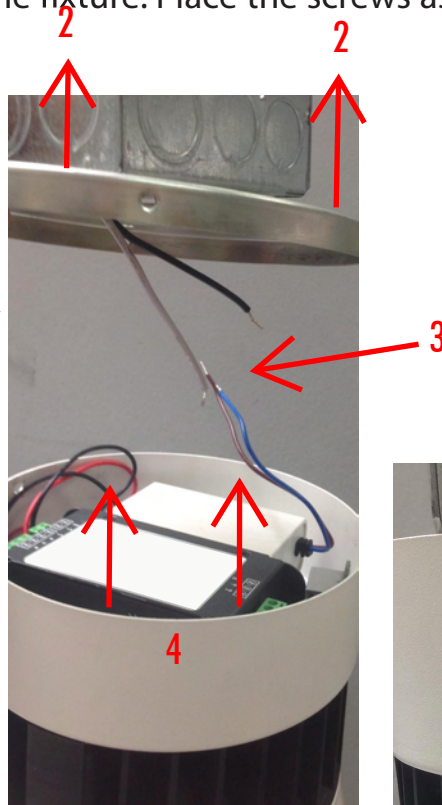
- Turn off power by switching off the circuit breaker or removing the fuse prior to performing installation.
- Make all electrical connections in accordance with local codes / N.E.C.

INSTALLATION PROCEDURE

1. Use a Phillips head screwdriver to remove the two screws connecting the metal lid to the fixture. Place the screws aside for later and remove the lid.



2. Fasten the metal lid to the junction box using the screws provided.



3. Connect the power supply wires from the junction box to the wires inside the fixture and cap with twist-on wire connectors.

4. Slide the fixture up onto the lid and rotate until the hole on the lid aligns with the hole the fixture.



5. Secure the fixture by screwing the Phillips head screws that were originally removed back into the two side holes on the fixture.



Product specifications subject to change without notice.

SAVE THESE INSTRUCTIONS

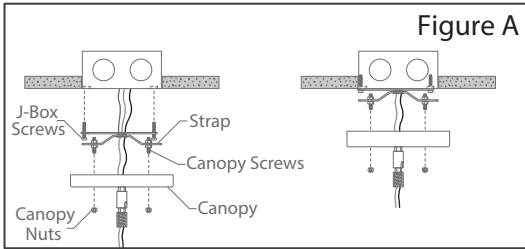


Figure A

CAUTION- INSTALL AND USE THIS LUMINAIRE FOLLOWING YOUR LOCAL ELECTRICAL CODES AND REGULATIONS.

-- READ ALL INSTRUCTIONS

Do not install any luminaire assembly closer than 6" from any curtain, or similar combustible material.

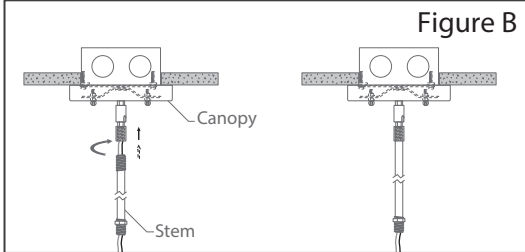


Figure B

PREPARATION:

1). Read and understand instructions completely before installing this luminaire. If you are unfamiliar with electrical wiring have a qualified licensed electrician install this luminaire for you.

ELECTRICAL CONNECTIONS:

- 1). **WARNING-** Before starting the wire connections, disconnect the power by turning off the circuit breaker or removing the fuse at the fuse panel. Turning the power off using the light switch is not sufficient to prevent electrical shock.
- 2). This luminaire must be connected with supply wire rated at 90°C. Most dwellings built before 1985 have supply wire rated at 60°C; consult a qualified electrician before installing.

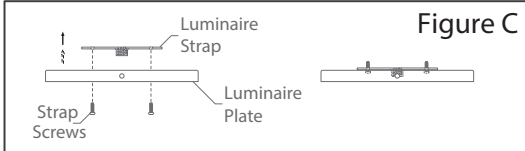


Figure C

INSTALL CANOPY STRAP:

- 1). See FIG. A

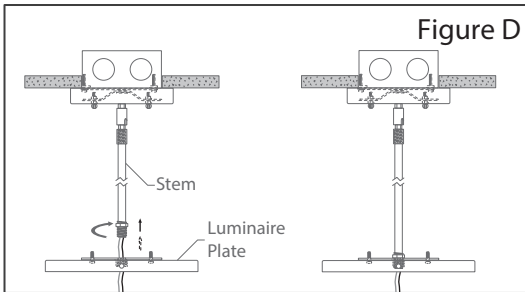


Figure D

INSTALL STEM:

- 2). See FIG. B

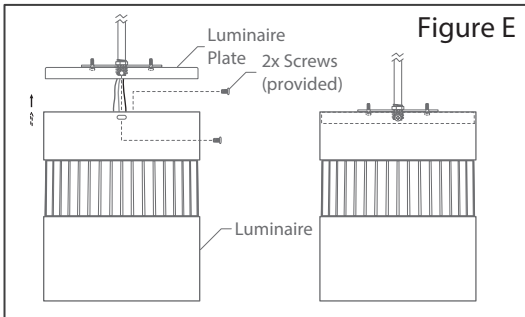


Figure E

INSTALL LUMINAIRE STRAP:

- 3). See FIG. C

INSTALL LUMINAIRE PLATE:

- 4). See FIG. D

INSTALL LUMINAIRE:

- 5). See FIG. E

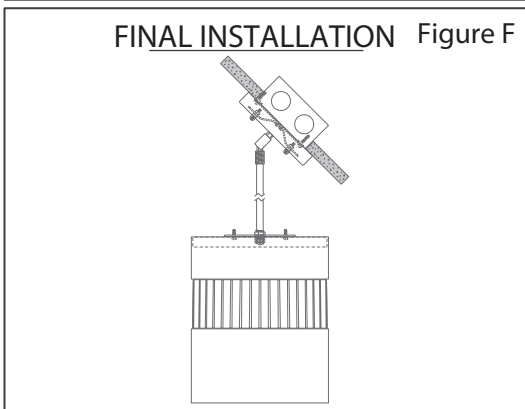


Figure F

FINAL INSTALLATION:

- 6). See FIG. F

SAVE THESE INSTRUCTIONS

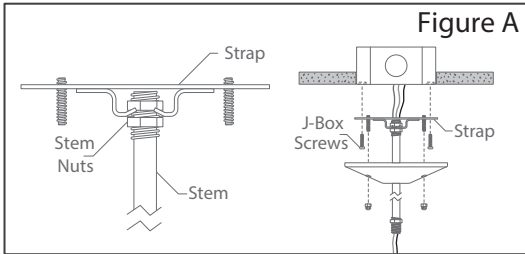


Figure A

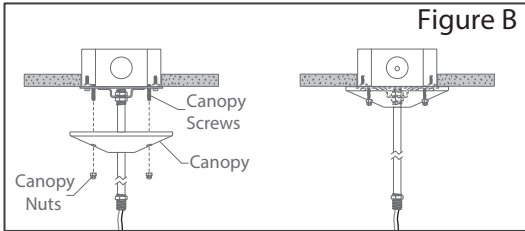


Figure B

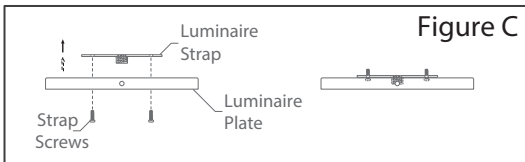


Figure C

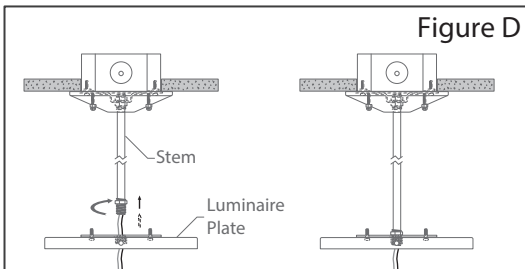


Figure D

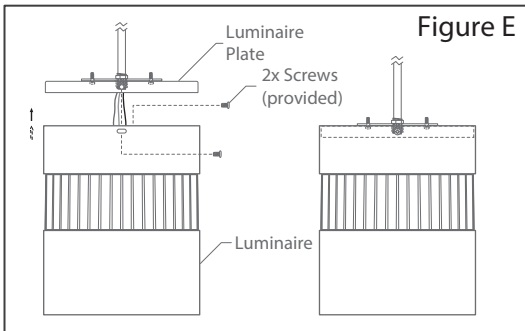
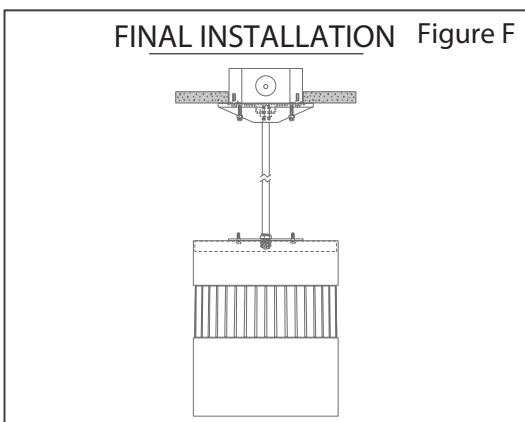


Figure E



FINAL INSTALLATION Figure F

CAUTION- INSTALL AND USE THIS LUMINAIRE FOLLOWING YOUR LOCAL ELECTRICAL CODES AND REGULATIONS.

-- READ ALL INSTRUCTIONS

Do not install any luminaire assembly closer than 6" from any curtain, or similar combustible material.

PREPARATION:

1). Read and understand instructions completely before installing this luminaire. If you are unfamiliar with electrical wiring have a qualified licensed electrician install this luminaire for you.

ELECTRICAL CONNECTIONS:

- 1). **WARNING-** Before starting the wire connections, disconnect the power by turning off the circuit breaker or removing the fuse at the fuse panel. Turning the power off using the light switch is not sufficient to prevent electrical shock.
- 2). This luminaire must be connected with supply wire rated at 90°C. Most dwellings built before 1985 have supply wire rated at 60°C; consult a qualified electrician before installing.

INSTALL STEM & CANOPY STRAP:

- 1). See FIG. A

INSTALL CANOPY:

- 2). See FIG. B

INSTALL LUMINAIRE STRAP:

- 3). See FIG. C

INSTALL LUMINAIRE PLATE:

- 4). See FIG. D

INSTALL LUMINAIRE:

- 5). See FIG. E

FINAL INSTALLATION:

- 6). See FIG. F