

Project Name: _____ Type: _____ Quantity: _____

INTENDED USE

The Architectural Grade 12301-6 LED 6 inch cylinder light fixture is ideal for cathedral ceilings, atriums, lobbies, exhibit halls and conference venues.

ADDITIONAL FEATURES

Construction: Spun steel with die-cast aluminum heat sink

CRI: 80+ Standard, 90+ CRI Optional

Lens: Clear lens standard

Mounting: Flat and slope ceiling pendant adapters available mounts to any electrical standard junction box

Dimming: 0-10V dimming. Optional universal system that works with most 2-wire incandescent, 3-wire ELV and 5-wire 0-10V dimmers offered.

Voltage: 120V/277V

Operating Temperature: -10°C to +80°C

LED Life: 50,000 L70

Warranty: 5 years carefree for parts and components (labor not included). We recommend the use of surge protectors on the power entering LED Housings.

Listings: CA Title 24, cETLus listed to UL1598 and UL8750

Suitable for dry and damp locations. NYC approved: Calendar #41937. Assembled in the US



Shown with Optional EM



Shown with Optional Louver

ORDERING INFORMATION Example: (12301-6-S-WH-L11-FL-830)

Model	Mounting	CCT CRI	Downlight Lumens	Uplight Lumens	Downlight Optics	Driver	Finish ⁵	Options	
	Surface Pendant ⁴								
12301-6	C Ceiling	AC^{xxx} Adj. Aircraft Cable 6-20 ft.	827 2700K 80+	L11 1100 lm 10W	(Blank) Downlight Only	NSP 10°	(Blank) Non-Dimming	WH White	FL Frosted Lens
	W Wall	RCST^{xxx} Round Canopy Stem 12-48"	830 Standard 3000K 80+	L15 1500 lm 15W	L9 ³ 900 lms 11W	NFL 30°	O10 0-10V 1% Dimming	BK Black	LV Louver
		SCST^{xxx} Square Canopy Stem 12-48"	835 3500K 80+	L21 2100 lm 20W		FL Standard 50°	UNI ¹ Universal Dimming	GR ² Gray	EM ^{6,7} Internal Emergency Back-up Battery
		SCST^{xxx} Square Canopy Stem 12-48"	840 4000K 80+	L29 2900 lm 30W		WFL 70°	UNI ¹ Triac, ELV, 0-10V		
		RCTS^{xxx} Round Canopy 75° Tiltable Stem 12-48"	927 2700K 90+	L37 3700 lm 38W		WW Wall Wash			
		THPM^{xxx} Thread Hub for Pipe Mounting 0.5-1"	930 3000K 90+	L43 4300 lms 44W					
			935 3500K 90+	L60 6000 lms 58W					
			940 4000K 90+						

¹ Not available for L60 lumen package

² Gray with Black Fins

³ 120° Uplight Optics

⁴ Specify length by replacing xxx (see page 2)

⁵ Fixture and mounting accessory ships in same finish, gray finish ships with black mounting accessory. Reflector comes standard with satin finish.

⁶ Emergency Battery is not available for L43 or L60 lumen packages and UNI dimming.

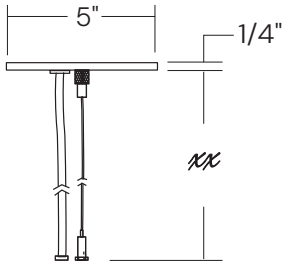
⁷ Not available with Uplight option. Downlight Only.

LINE DRAWINGS

Ceiling Mount

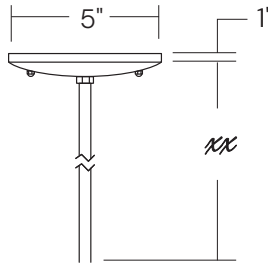
Round Canopy Adj. Aircraft Cable

XX = 12", 18", 24", 36", 48"



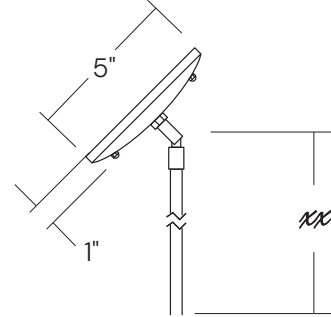
Round Canopy Stem Mount

XX = 12", 18", 24", 36", 48"



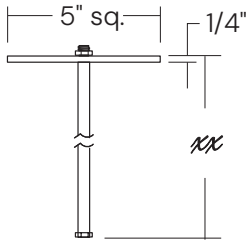
Round Canopy 75° Tiltable Stem

XX = 12", 18", 24", 36", 48"



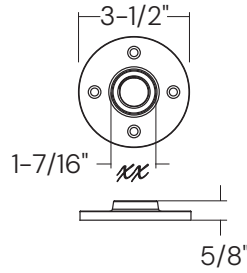
Square Canopy Stem Mount

XX = 12", 18", 24", 36", 48"

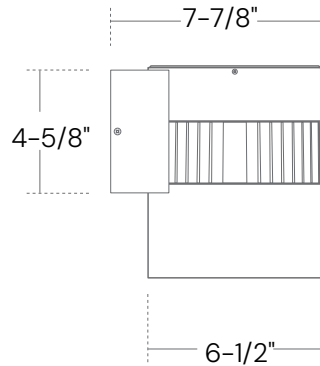
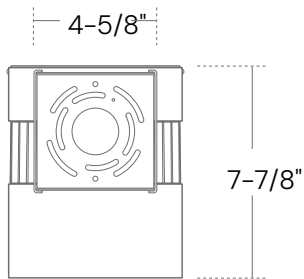


Thread Hub for Pipe Mounting

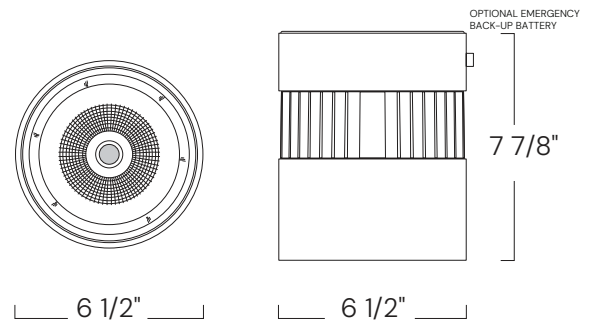
XX = 1/2", 3/4", 1"



Wall Mount



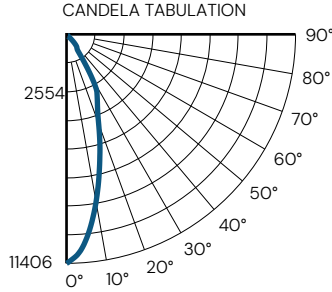
Surface



PHOTOMETRY

12301-6-WH-5-5-40K 6000lm, 50° Flood, 4000K

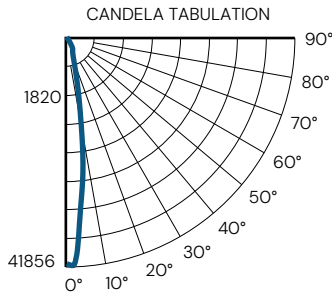
System Power:	62.3W	MULTIPLIERS	
Test Date:	6/2016	3500K:	0.88
Beam Angle 50%:	33.6°	3000K:	0.75
Field Angle 10%:	67.6°	2700K:	0.68
Color Temperature:	4000K	LUMEN MULTIPLIERS	
CRI :	80.0	4300lm:	0.65
R9 Value:	33.0	3700lm:	0.56
Lumens Delivered:	6576 lm	2600lm:	0.40
CBCP:	41185cd	1500lm:	0.23
Power Factor:	>0.9	1100lm:	0.17



FOOTCANDLE DISTRIBUTION		
Height	Beam Diameter	FC
10'	6.0'	114.1
16'	9.7'	44.6
22'	13.3'	23.6
28'	16.9'	14.5
33.7'	20.3'	10.0

12301-6-WH-5-1-40K 6000lm, 10° Spot, 4000K

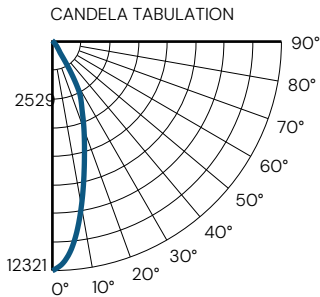
System Power:	63.2W	MULTIPLIERS	
Test Date:	7/2016	3500K:	0.88
Beam Angle 50%:	16.4°	3000K:	0.75
Field Angle 10%: Color	36.6°	2700K:	0.68
Temperature:	4000K	LUMEN MULTIPLIERS	
CRI :	80.0	4300lm:	0.65
R9 Value:	33.0	3700lm:	0.56
Lumens Delivered:	6576lm	2600lm:	0.40
CBCP:	41185cd	1500lm:	0.23
Power Factor:	>0.9	1100lm:	0.17



FOOTCANDLE DISTRIBUTION		
Height	Beam Diameter	FC
10'	2.9'	418.6
20'	5.9'	104.6
30'	8.6'	46.5
40'	11.5'	26.2
64.7'	18.6'	10.0

12301-6-WH-5-3-40K 6000lm, 30° Narrow, 4000K

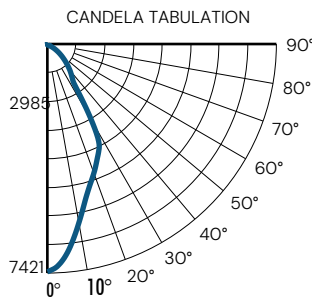
System Power:	63.0W	MULTIPLIERS	
Test Date:	7/2016	3500K:	0.88
Beam Angle 50%:	33.6°	3000K:	0.75
Field Angle 10%:	66.7°	2700K:	0.68
Color Temperature:	4000K	LUMEN MULTIPLIERS	
CRI :	80.0	4300lm:	0.71
R9 Value:	33.0	3700lm:	0.61
Lumens Delivered:	6080lm	2600lm:	0.43
CBCP:	12321cd	1500lm:	0.25
Power Factor:	>0.9	1100lm:	0.18



FOOTCANDLE DISTRIBUTION		
Height	Beam Diameter	FC
10'	6.0'	123.2
15'	9.1'	54.8
20'	12.1'	30.8
25'	15.1'	19.7
35'	21.1'	10.1

12301-6-WH-5-7-40K 6000lm, 70° Wide, 4000K

System Power:	62.2W	MULTIPLIERS	
Test Date:	7/2016	3500K:	0.88
Beam Angle 50%:	54.5°	3000K:	0.75
Field Angle 10%:	97.6°	2700K:	0.68
Color Temperature:	4000K	LUMEN MULTIPLIERS	
CRI :	80.0	4300lm:	0.65
R9 Value:	33.0	3700lm:	0.56
Lumens Delivered:	6610lm	2600lm:	0.39
CBCP:	7421cd	1500lm:	0.23
Power Factor:	>0.9	1100lm:	0.17



FOOTCANDLE DISTRIBUTION		
Height	Beam Diameter	FC
10'	10.3'	74.2
14'	14.4'	37.9
18'	18.5'	22.9
22'	22.7'	15.5
27.2'	28.0'	10.0

FIXTURE SPACING CHART

Product	Ceiling Ht. (ft.)	O.C. Spacing (ft.)	F.C.	Min / Max Ratio
12301-6-L11 1,100Lm	9'	6' x 6'	35.0	1.0 : 1
	9'	8' x 8'	19.1	2.2 : 1
	12'	6' x 6'	34.3	1.1 : 1
	15'	6' x 6'	33.5	1.1 : 1
	18'	6' x 6'	32.5	1.1 : 1
12301-6-L15 1,500Lm	9'	6' x 6'	50.5	1.1 : 1
	9'	8' x 8'	27.5	1.2 : 1
	12'	8' x 8'	26.2	1.2 : 1
	15'	8' x 8'	25.0	1.4 : 1
	18'	8' x 8'	23.9	1.5 : 1
12301-6-L26 2,600Lm	12'	8' x 8'	44.5	1.2 : 1
	12'	10' x 10'	29.1	1.6 : 1
	12'	12' x 12'	23.4	1.6 : 1
	15'	8' x 8'	27.9	1.2 : 1
	15'	10' x 10'	40.6	1.5 : 1
	18'	8' x 8'	26.2	1.4 : 1
	18'	10' x 10'	38.5	1.6 : 1
	21'	8' x 8'	25.0	1.5 : 1
	21'	10' x 10'	36.1	1.7 : 1
	25'	8' x 8'	23.4	1.5 : 1
	25'	10' x 10'	33.3	1.7 : 1
	30'	8' x 8'	28.2	1.8 : 1
	40'	8' x 8'	23.9	1.6 : 1
50'	8' x 8'	23.4	1.6 : 1	
12301-6-L37 3,700Lm	12'	8' x 8'	66.5	1.2 : 1
	12'	10' x 10'	43.6	1.6 : 1
	15'	8' x 8'	63.7	1.3 : 1
	15'	10' x 10'	41.3	1.3 : 1
	15'	12' x 12'	28.5	1.4 : 1
	21'	8' x 8'	57.7	1.6 : 1
	21'	10' x 10'	37.5	1.5 : 1
	25'	8' x 8'	54.2	1.7 : 1
	25'	10' x 10'	35.0	1.6 : 1
	30'	8' x 8'	58.0	1.7 : 1
	30'	10' x 10'	32.0	1.8 : 1
	40'	8' x 8'	38.0	1.7 : 1
	40'	10' x 10'	27.2	1.8 : 1
50'	8' x 8'	31.4	1.5 : 1	
50'	10' x 10'	23.0	1.6 : 1	
12301-6-L43 4,300Lm	12'	8' x 8'	83.9	1.2 : 1
	12'	10' x 10'	55.0	1.6 : 1
	15'	8' x 8'	80.3	1.3 : 1
	15'	10' x 10'	52.0	1.3 : 1
	15'	12' x 12'	36.0	1.4 : 1
	21'	8' x 8'	72.8	1.3 : 1
	21'	10' x 10'	74.2	1.4 : 1
	21'	12' x 12'	32.6	1.3 : 1
	30'	10' x 10'	41.6	1.6 : 1
	30'	12' x 12'	27.1	1.6 : 1
	40'	10' x 10'	35.2	1.7 : 1
	40'	12' x 12'	22.9	1.5 : 1
	50'	10' x 10'	29.1	1.6 : 1
60'	10' x 10'	25.0	1.4 : 1	

COLOR TEMPERATURE GUIDE

2700K	3000K	3500K	4000K	5000K
WARM WHITE	SOFT WHITE GLOW	NEUTRAL GLOW	COOL WHITE GLOW	DAYLIGHT GLOW
friendly personal intimate	soft warm pleasing	sociable inviting non-threatening	neat clean efficient	bright cool alert
HOMES LIBRARIES RESTAURANTS	HOMES HOTEL ROOMS LOBBIES RETAIL STORES	EXECUTIVE OFFICES RECEPTION AREAS SUPERMARKETS	OFFICES CLASSROOMS MASS MERCHANDISERS SHOWROOMS	GRAPHICS INDUSTRY HOSPITALS GALLERIES BEAUTY SALONS
✓	✓	✓	✓	✗