

Project Name: \_\_\_\_\_ Type: \_\_\_\_\_ Quantity: \_\_\_\_\_

### FIXTURE SPECIFICATIONS

#### INTENDED USE

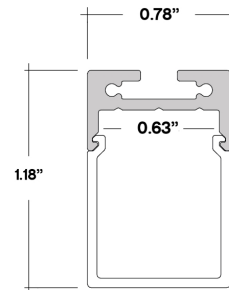
This 24-voltage, linear LED ceiling light is available in a variety of color temperatures, from 2,700 Kelvin warm white to 5,000 Kelvin daylight. The slim, architectural-grade, pendant or surface-mounted lighting fixture is perfect for upscale residential, commercial and hospitality interiors. Providing up to 4,000 lumens of high-CRI LED light, this direct downlight is available in standard lengths of 2', 3', 4', 6', and 8'.

#### PRODUCT FAMILY

12100-8-P | Pendant Mount  
12100-8-S | Surface Mount

#### FEATURES

- Construction:** High quality aluminum
- Lens:** Glare-free snap-in frosted acrylic for even distribution
- Voltage:** 24V LED Fixture, 100-277V LED Driver
- Remote Driver:** Dimmable 4-in-1 Triac, ELV, MLV & 0-10V
- Wattage:** 6 Watts/Foot
- Lumens:** 500 lumens/foot
- CRI:** 90+
- Beam Angle:** 120°
- Pendant Mounting:** 144" 18-gauge adjustable aircraft suspension cable with canopy
- Life:** 50,000 Hours L70
- Operating Temperature:** -40°F ~ 140°F (-40°C ~ 60°C)
- Listings:** Title 24 JA8 Compliant, UL Listed (LED and driver components only)
- Warranty:** 5 Years carefree for parts & components (Labor not included)



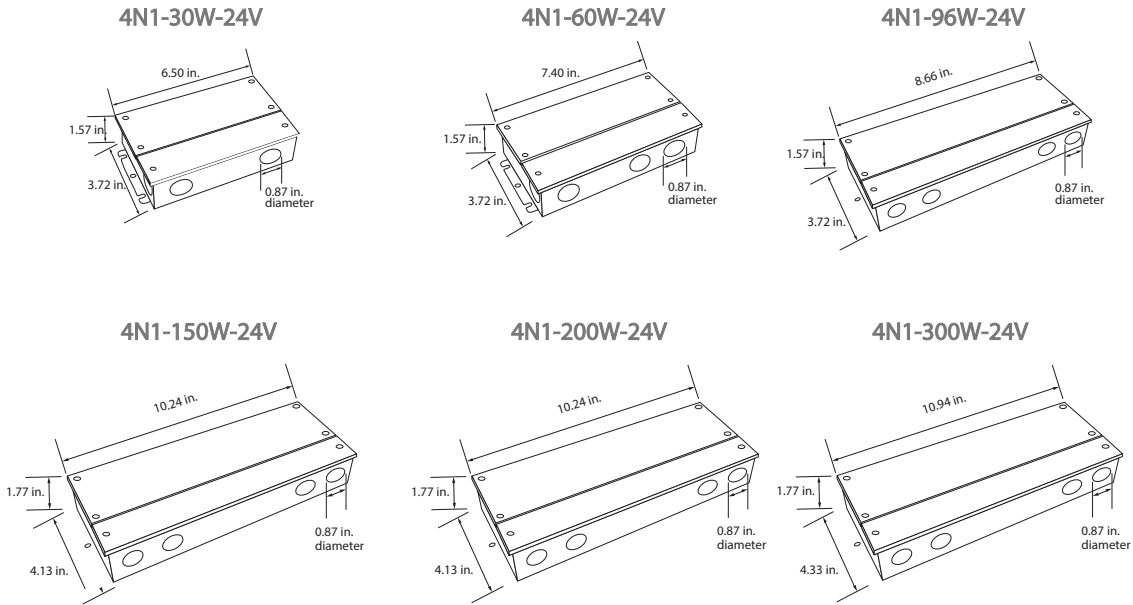
Alcon 12100-8 Slim Linear LED Pendant or Surface-Mounted Ceiling Light Bar

### ORDERING INFORMATION Example: (12100-8-P-4-27K-SL)

Model	Mounting	Length   Lumens   Wattage	Color Temp	Finish
<b>12100-8</b>	<b>P</b> Pendant	<b>2</b> 2 Foot   1000 lms   12W	<b>27K</b> 2700K	<b>SL</b> <sup>Standard</sup> Silver
	<b>S</b> Surface	<b>3</b> 3 Foot   1500 lms   18W	<b>30K</b> 3000K	<b>WH</b> White
		<b>4</b> 4 Foot   2000 lms   24W	<b>35K</b> 3500K	<b>BK</b> Black
		<b>6</b> 6 Foot   3000 lms   36W	<b>40K</b> 4000K	
	<b>8</b> 8 Foot   4000 lms   48W	<b>50K</b> 5000K		
	<b>CU<sup>1</sup></b> Custom Length			

<sup>1</sup> Custom length is not available in a continuous run and must be 8 feet or less.

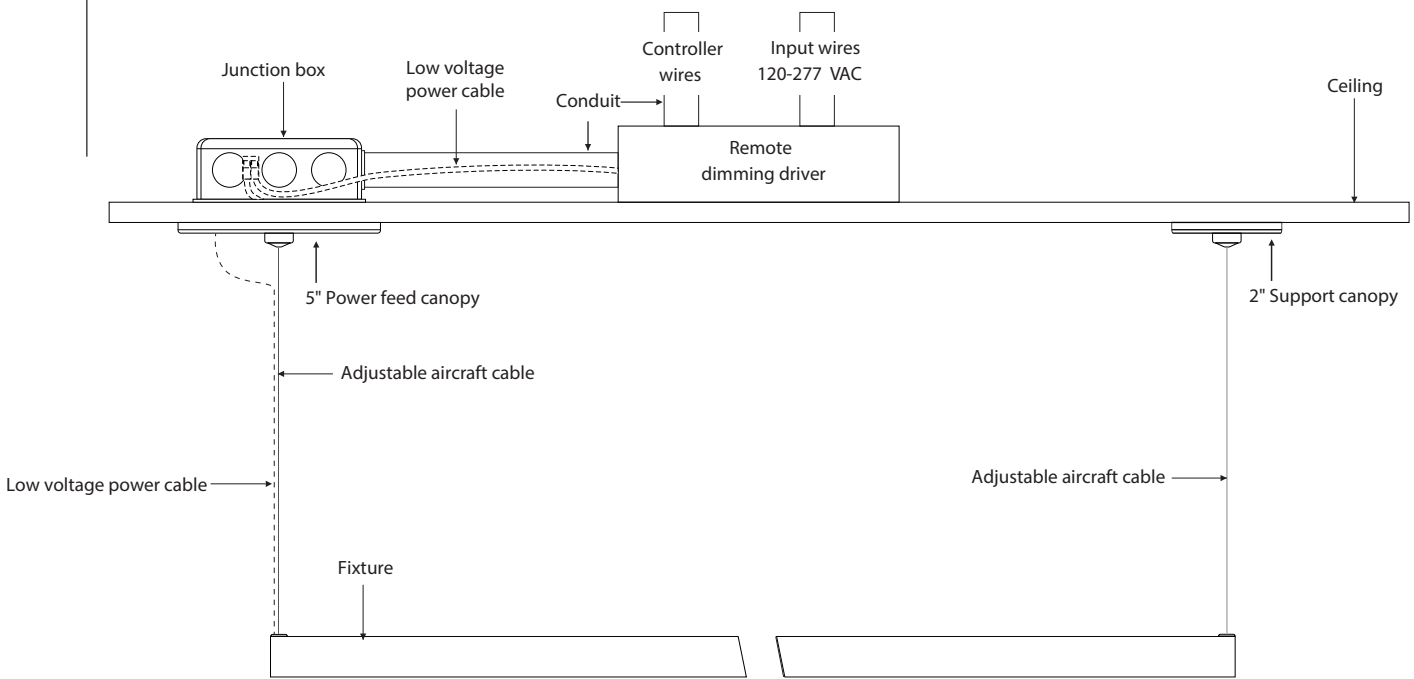
## REMOTE DIMMING DRIVER SPECIFICATIONS



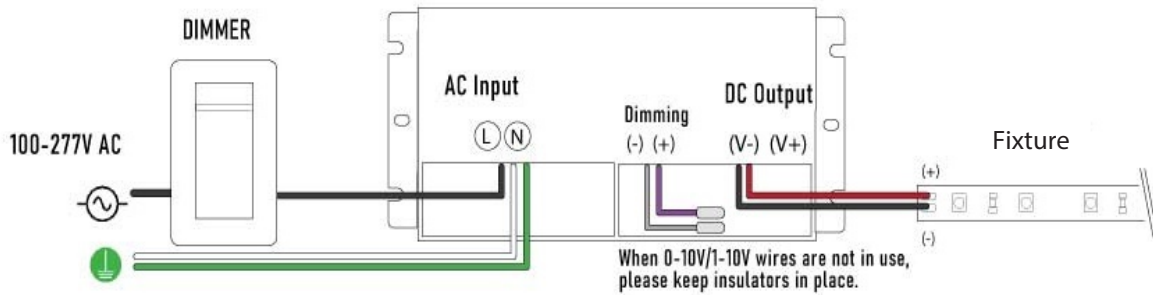
## COLOR TEMPERATURE GUIDE



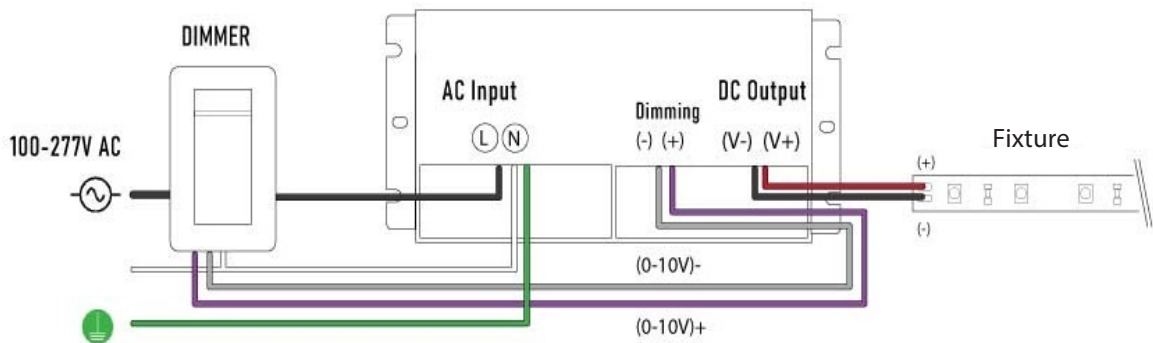
## WIRING DIAGRAM



### TRIAC dimming



### 0-10V/1-10V dimming



COMPATIBLE DIMMERS

BRAND	MODEL	INPUT	RANGE	MODEL	INPUT	RANGE
LUTRON®	<b>153PR-WH</b>	100-130V	0-100%	DZ6HD	100-130V	22-100%
	<b>DVCL-153PR-WH</b>	100-130V	0-100%	DV-600PR-BL	100-130V	0-100%
	<b>DVWCL-153PH-LA</b>	100-130V	0-100%	DV-600PR-WH	100-130V	0-100%
	<b>CTCL-153PDH-LA</b>	100-130V	0-100%	PD-6WCL	100-130V	20-100%
	<b>TGCL-153PR-WH</b>	100-130V	0-100%	PD-5NE-WH	100-130V	18-100%
	<b>TGCL-153PH-WH</b>	100-130V	0-100%	NTLV-600-277-WH	100-130V	1-100%
	<b>MACL-153MH-LA</b>	100-130V	20-100%	ST-12P-277	100-130V	12-100%
	<b>CT-600PR-IV</b>	100-130V	0-100%	NTF-10-277	100-130V	1-100%
	<b>CT-600PR-WH</b>	100-130V	0-100%	SELV-300P	100-130V	15-100%
	<b>CT-103PR-WH</b>	100-130V	2-100%	MSCELV-600M	100-130V	0-100%
	<b>MIR-600M</b>	100-130V	2-100%	MEF2-6ELV-120	100-130V	0-100%
	<b>TG-600PR-LA</b>	100-130V	4-100%	DVELV-300P	100-130V	15-100%
	<b>TG-600PR-IV</b>	100-130V	0-100%	S-600PR-WH	100-130V	0-100%
	<b>TG-600PR-WH</b>	100-130V	0-100%	MRF2-6ND-120-AL	100-130V	0-100%
	<b>TG-10PR-WH</b>	100-130V	0-100%	MRF2-6CL-GR	100-130V	15-100%

LEVITON	<b>VPI06-1LZ</b>	100-130V	15-100%	6672	100-130V	20-100%
	<b>TTI06-1LZ</b>	100-130V	1-100%	6683	100-130V	10-100%
	<b>IPL06</b>	100-130V	15-100%	6602	100-130V	0-100%
	<b>DZ6HD</b>	100-130V	17-100%	AWSMT-EAW	100-130V	0-100%
	<b>TBL03</b>	100-130V	15-100%	AWSMT-EAW	277V	0-100%
	<b>6674</b>	100-130V	16-100%			

LEGRAND	<b>RHCL453PNICCV6</b>	100-130V	6-100%			
	<b>WSCL450TCCCV4</b>	100-130V	11-100%			
	<b>LSCL453PLACCV4</b>	100-130V	11-100%			

CRESTRON	<b>CLW-DELVEX-P-W-S</b>	100-130V	11-100%			
----------	-------------------------	----------	---------	--	--	--