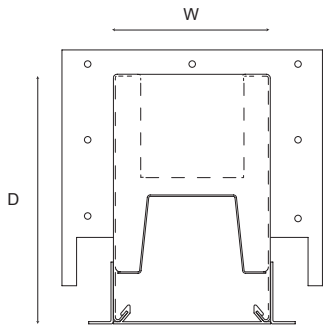
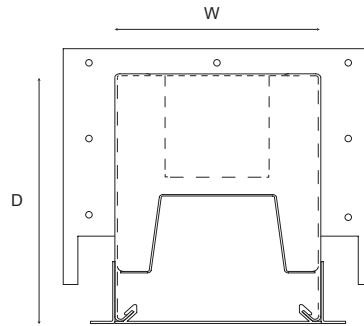


INSTALLATION INSTRUCTIONS



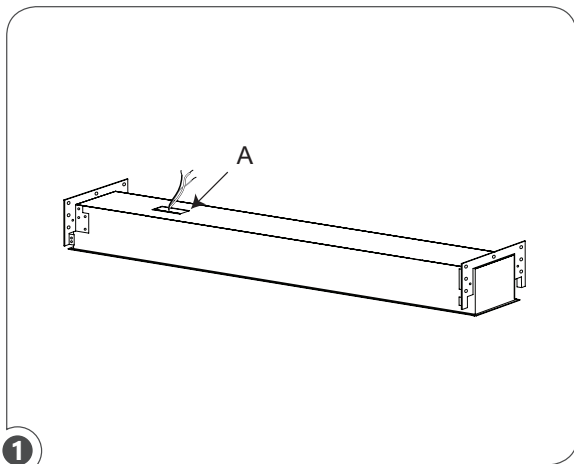
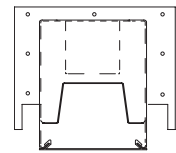
Specifications: 12100-20
 Width: 2.5" (64mm)
 Depth: 4" (101mm)



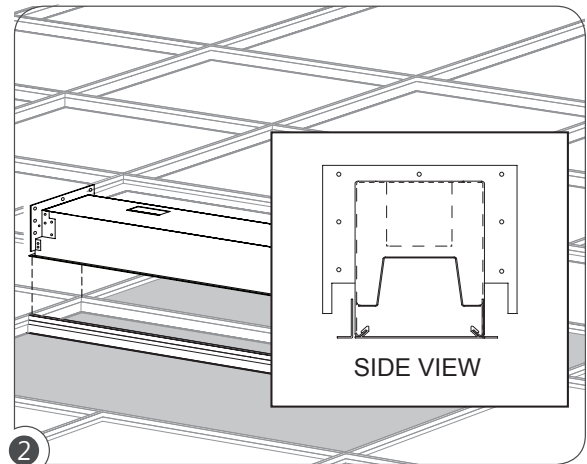
Specifications: 12100-40
 Width: 4" (101mm)
 Depth: 4" (101mm)

PART LIST

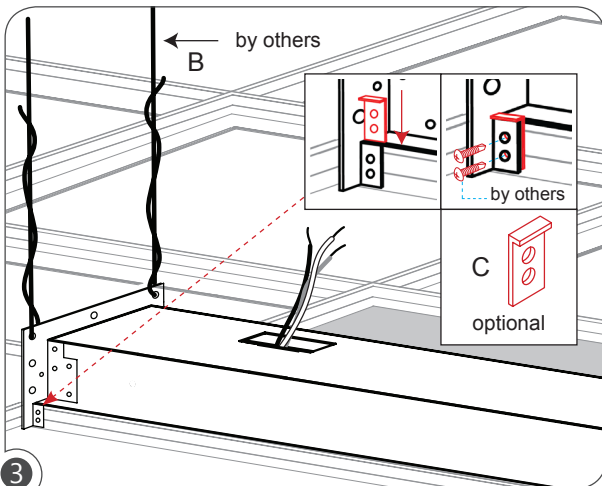
- | | |
|-----------------------|-----------------------|
| A: Access plate | D: BX cable connector |
| B: Support wire | E: End cap |
| C: Bracket (optional) | F: Wire connectors |
| D: BX cable connector | G: Screws |



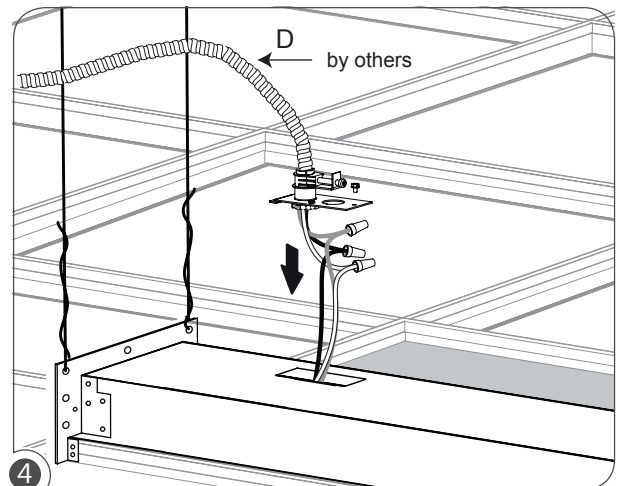
1 Remove access plate(A) and have wires out ready.



2 Drop fixture on to T-bar ceiling.

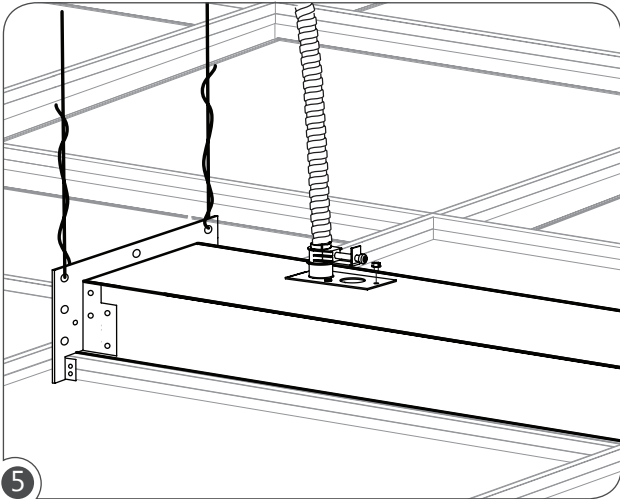


3 Secure fixture with support wire(B) and install bracket(C) in between T-bar grid and Fixture.

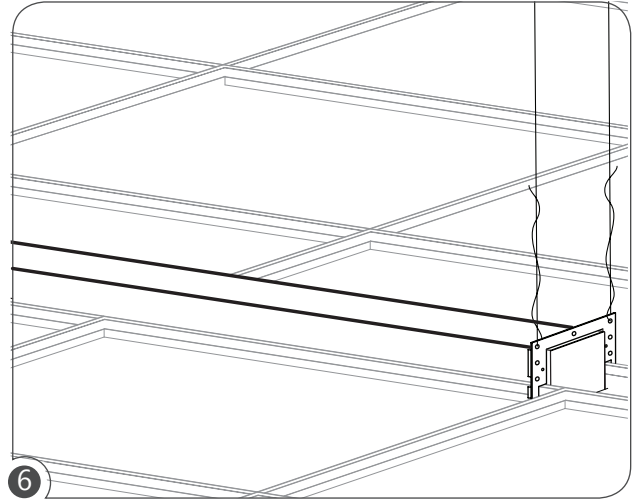


4 Connect BX cable connector to access plate and make wiring from BX cable to fixture wires.

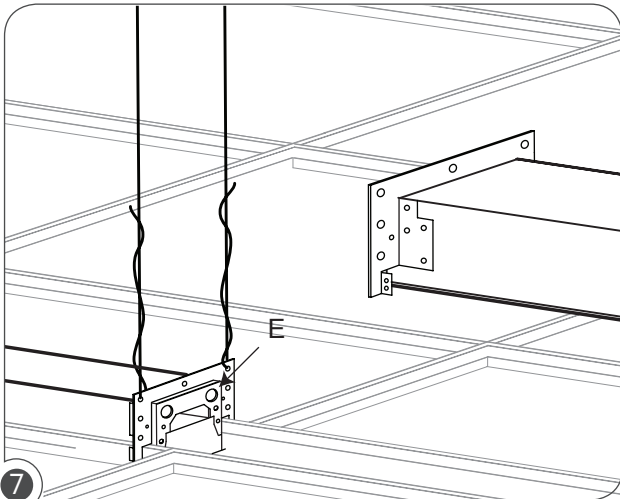
INSTALLATION INSTRUCTIONS



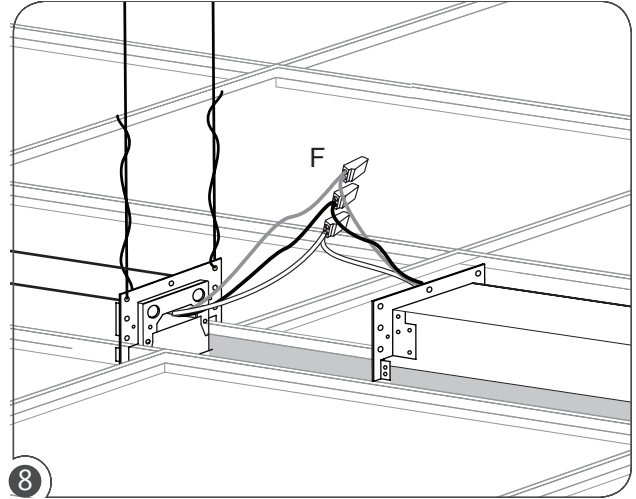
5 Secure wires and install access plate to fixture.



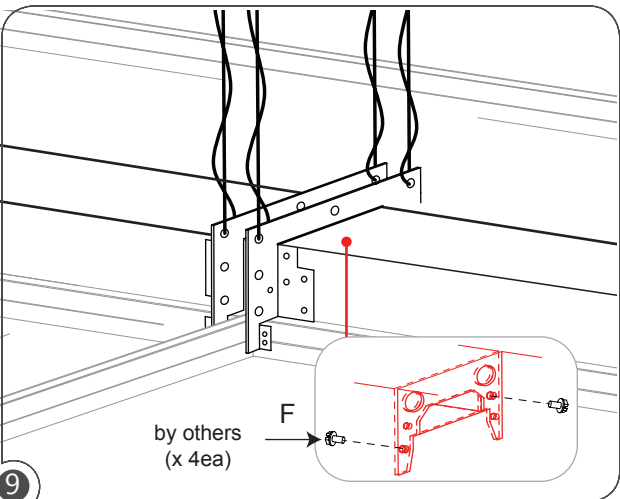
6 Make sure both ends of fixtures is secure with support cable and bracket is properly installed between T-bar grid and fixture.



7 Remove end caps(E) for continuous row.



8 Connect power wire together from each fixture running end to end for continuous row with Wire connectors(F).



9 Align fixtures together and Screw from the inside with 4 screws(G).