

Project Name: \_\_\_\_\_ Type: \_\_\_\_\_ Quantity: \_\_\_\_\_

### INTENDED USE

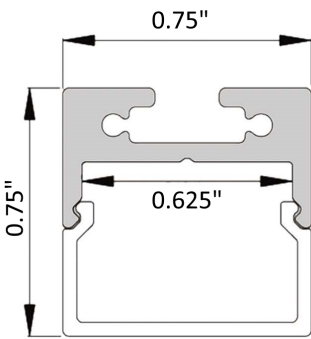
This low-profile 24-voltage, frosted lens, 95-CRI linear ceiling LED light is available in a variety of color temperatures, from 2,700 Kelvin warm white to 5,000 Kelvin daylight. Our architectural-grade, surface-mounted lighting fixture is perfect for upscale residential, commercial and hospitality interiors. The direct downlight is available in standard lengths of 2', 3', 4', 6', and 8'.

### PRODUCT FAMILY

- 12100-10-P | Pendant
- 12100-10-LR | Low-Profile Recessed
- 12100-10-R-RGBW | Recessed RGBW
- 12100-10-PR-RGBW | Perimeter Recessed RGBW

### FEATURES

- Construction:** Die-formed and welded 22-gauge cold rolled steel
- Lens:** Glare-free snap-in frosted acrylic for even distribution
- Voltage:** 24V LED Fixture, 100-277V LED Driver
- Remote Driver:** Dimmable 4-in-1 Triac, ELV, MLV & 0-10V
- Wattage:** 7.0 Watts/Foot (3.0 Watts/Foot for Wet Location)
- Lumens:** 784 Lumens/Foot (250 Lumens/Foot for Wet Location). Lumen output is specified for the LED component alone; the lens reduces lumen output by 20%
- Beam Angle:** 120°
- CRI:** 95+
- Life:** 50,000 Hours L70
- Warranty:** 5 Years carefree for parts & components (Labor not included)
- Listings:** Title 24 JA8, cUL Listed (LED and driver components only) Housing is NOT cUL Listed.



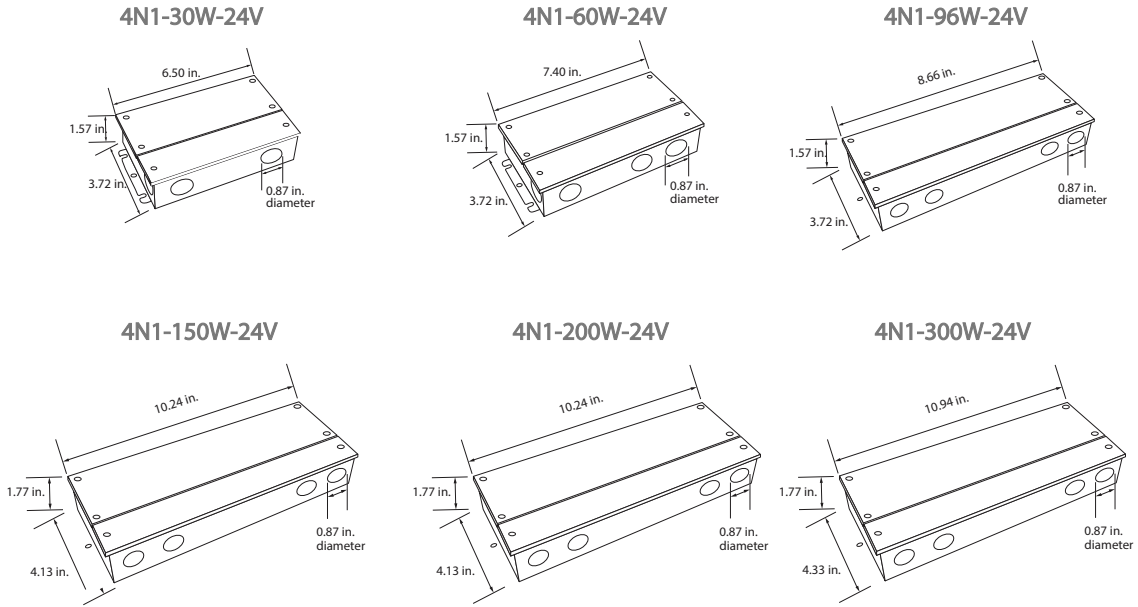
### ORDERING INFORMATION Example: (12100-10-S-2-SL-27K-WL)

Model	Length	Finish	Color Temp	Options
12100-10-S Surface Mount	2 2 Foot	<b>SL</b> <sup>Standard</sup> Silver	<b>27K</b> 2700K	<b>WL</b> Wet Location IP65
	3 3 Foot	<b>WH</b> White	<b>30K</b> 3000K	
	4 4 Foot	<b>BK</b> Black	<b>35K</b> 3500K	
	6 6 Foot	<b>XXXX</b> Custom	<b>40K</b> 4000K	
	8 8 Foot	Finish	<b>50K</b> 5000K	
	<b>XX</b> <sup>1</sup> Custom Length <i>Replace X with Length in Feet.</i>	<i>Replace XXXX with RAL#</i>		

<sup>1</sup> Continuous runs over 8' ship as components for field assembly

Alcon 12100-10-S Low-Profile Linear LED Surface-Mounted Ceiling Light Bar

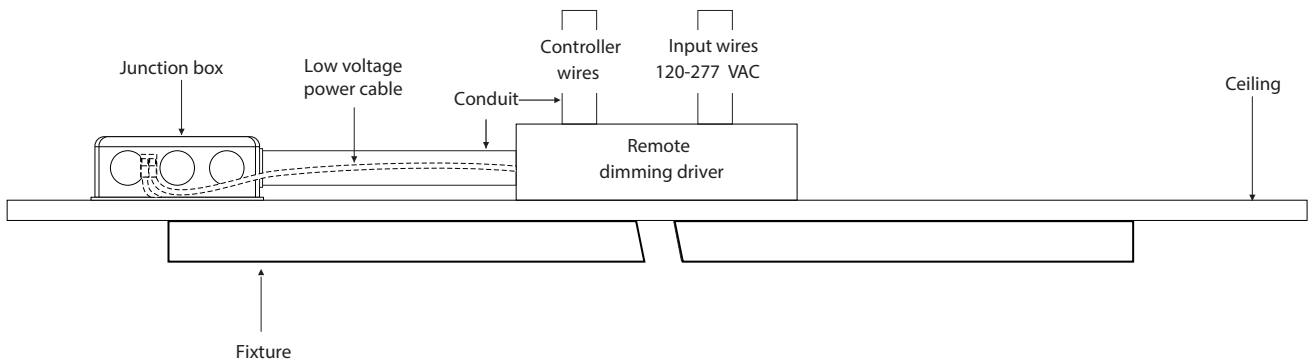
## REMOTE DIMMING DRIVER SPECIFICATIONS



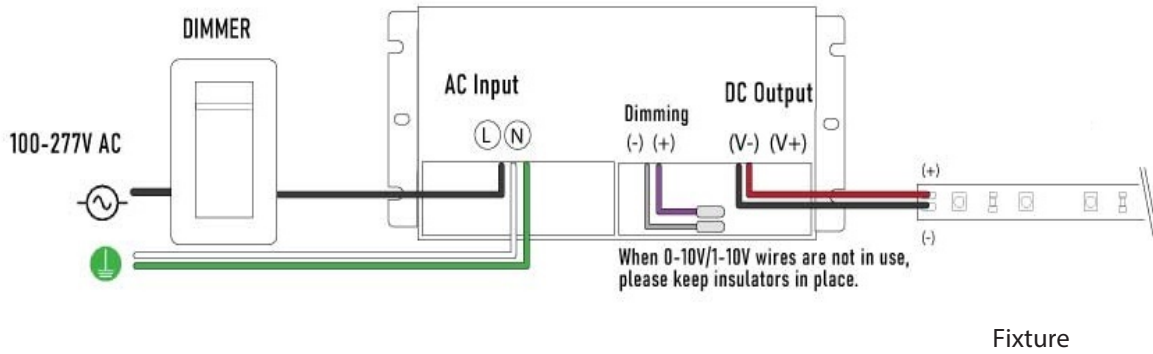
## COLOR TEMPERATURE GUIDE



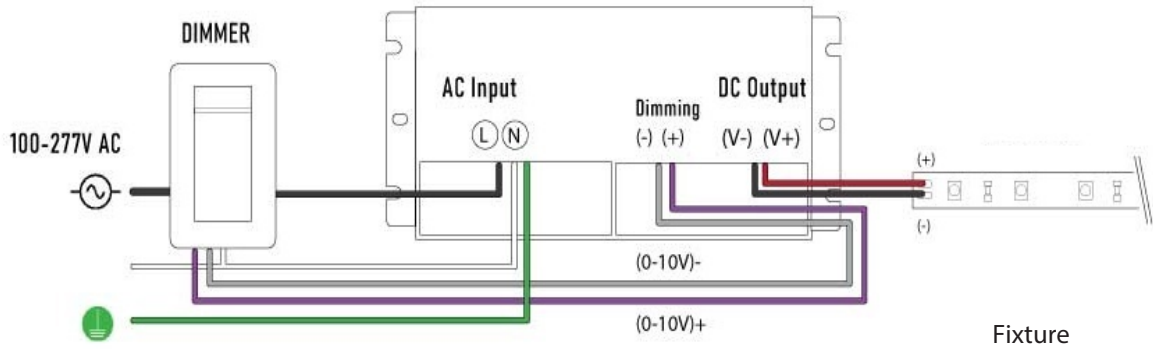
## WIRING DIAGRAM



### TRIAC dimming



### 0-10V/1-10V dimming



COMPATIBLE DIMMERS

BRAND	MODEL	INPUT	RANGE	MODEL	INPUT	RANGE
LUTRON®	<b>153PR-WH</b>	100-130V	0-100%	DZ6HD	100-130V	22-100%
	<b>DVCL-153PR-WH</b>	100-130V	0-100%	DV-600PR-BL	100-130V	0-100%
	<b>DVWCL-153PH-LA</b>	100-130V	0-100%	DV-600PR-WH	100-130V	0-100%
	<b>CTCL-153PDH-LA</b>	100-130V	0-100%	PD-6WCL	100-130V	20-100%
	<b>TGCL-153PR-WH</b>	100-130V	0-100%	PD-5NE-WH	100-130V	18-100%
	<b>TGCL-153PH-WH</b>	100-130V	0-100%	NTLV-600-277-WH	100-130V	1-100%
	<b>MACL-153MH-LA</b>	100-130V	20-100%	ST-12P-277	100-130V	12-100%
	<b>CT-600PR-IV</b>	100-130V	0-100%	NTF-10-277	100-130V	1-100%
	<b>CT-600PR-WH</b>	100-130V	0-100%	SELV-300P	100-130V	15-100%
	<b>CT-103PR-WH</b>	100-130V	2-100%	MSCELV-600M	100-130V	0-100%
	<b>MIR-600M</b>	100-130V	2-100%	MEF2-6ELV-120	100-130V	0-100%
	<b>TG-600PR-LA</b>	100-130V	4-100%	DVELV-300P	100-130V	15-100%
	<b>TG-600PR-IV</b>	100-130V	0-100%	S-600PR-WH	100-130V	0-100%
	<b>TG-600PR-WH</b>	100-130V	0-100%	MRF2-6ND-120-AL	100-130V	0-100%
	<b>TG-10PR-WH</b>	100-130V	0-100%	MRF2-6CL-GR	100-130V	15-100%

LEVITON	<b>VPI06-1LZ</b>	100-130V	15-100%	6672	100-130V	20-100%
	<b>TTI06-1LZ</b>	100-130V	1-100%	6683	100-130V	10-100%
	<b>IPL06</b>	100-130V	15-100%	6602	100-130V	0-100%
	<b>DZ6HD</b>	100-130V	17-100%	AWSMT-EAW	100-130V	0-100%
	<b>TBL03</b>	100-130V	15-100%	AWSMT-EAW	277V	0-100%
	<b>6674</b>	100-130V	16-100%			

LEGRAND	<b>RHCL453PNICCV6</b>	100-130V	6-100%			
	<b>WSCL450TCCCV4</b>	100-130V	11-100%			
	<b>LSCL453PLACCV4</b>	100-130V	11-100%			

CRESTRON	<b>CLW-DELVEX-P-W-S</b>	100-130V	11-100%			
----------	-------------------------	----------	---------	--	--	--