

SAVE THESE INSTRUCTIONS

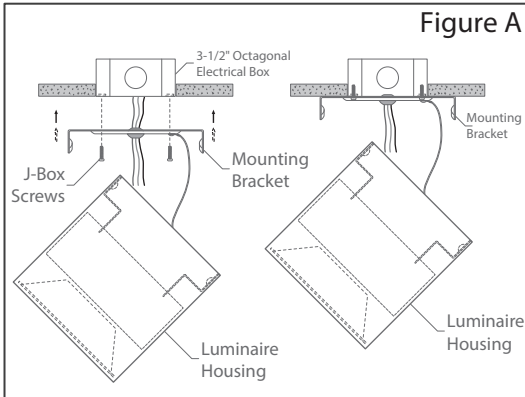


Figure A

CAUTION- INSTALL AND USE THIS LUMINAIRE FOLLOWING YOUR LOCAL ELECTRICAL CODES AND REGULATIONS.

-- READ ALL INSTRUCTIONS

PREPARATION:

1). Read and understand instructions completely before installing this luminaire. If you are unfamiliar with electrical wiring have a qualified licensed electrician install this luminaire for you.

ELECTRICAL CONNECTIONS:

- 1). **WARNING-** Before starting the wire connections, disconnect the power by turning off the circuit breaker or removing the fuse at the fuse panel. Turning the power off using the light switch is not sufficient to prevent electrical shock.
- 2). This luminaire must be connected with supply wire rated at 90°C. Most dwellings built before 1985 have supply wire rated at 60°C; consult a qualified electrician before installing.

INSTALL MOUNTING BRACKET:

See FIG. A

- 1). This luminaire comes assembled. In order to install the mounting bracket, you must remove it from the luminaire by sliding it sideways until it stops, then lift it up.

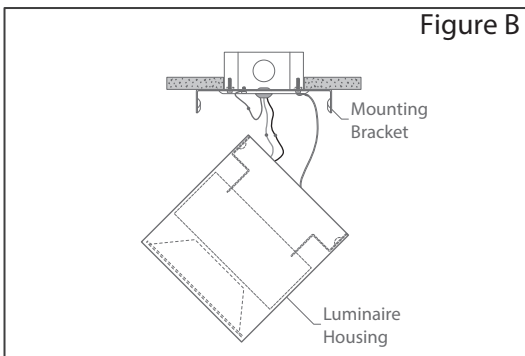


Figure B

The electrical wiring goes through the rubber grommet. Using the enclosed J Box screws, attach the mounting bracket, making sure the grommet is centered and aligned over the above electrical box.

MAKE WIRE CONNECTION:

See FIG. B

- 1). The mounting bracket is now attached. Connect the wires, following the proper electrical codes, from the electrical box above to the luminaire ensuring it is properly grounded and supply wire is rated at 90°C.

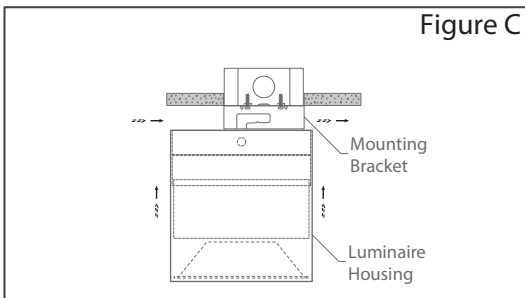
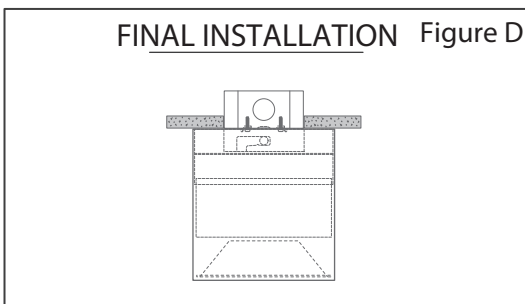


Figure C

INSTALL LUMINAIRE HOUSING:

See FIG. C

- 1). The luminaire housing is now ready to be reattached to the mounting bracket. Align the round projection inside the luminaire over the opening of the mounting bracket (remember it's off set and not centered) and push up. Once that's done, slide the housing back to its centered position.



FINAL INSTALLATION Figure D

FINAL INSTALLATION:

See FIG. D

- 1). Align and center the luminaire housing.