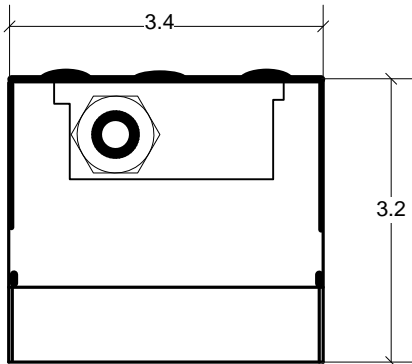
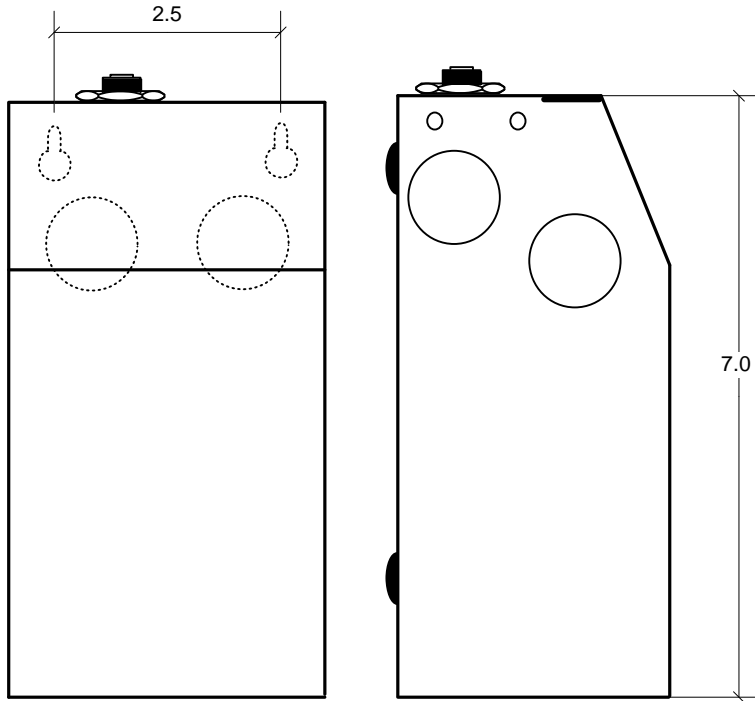


Two keyholes and two additional knockouts on the back



**NOTES:**

1. Output voltage in table 1 with 120VAC applied and fully loaded.
2. Maximum no load input current : 0.6A
3. Enclosure Temperature does not exceed 70°C in a 40°C ambient, fully loaded.
4. The actual transformer 300VA is encapsulated in the enclosure.
5. The transformer is dimmable with all dimmers that provide symmetrical form of the current under any condition.
6. Input leads are 18 AWG output leads are 12 AWG. Lead insulation is 105°C.
7. The transformer uses a class B (130°C) insulation system.
8. The transformer has a manual reset 25A magnetic breaker on the secondary side.
9. Wiring compartment has 4 side and 2 back knockouts sized for 3/4 inch screw cable connectors.
10. The removable cover for the wiring compartment is secured in place by clips.
11. The enclosure is black powder coated.
12. The Transformer is UL listed. UL file number: E194005.
13. The label contains Technomagnet's catalog number and electrical rating.

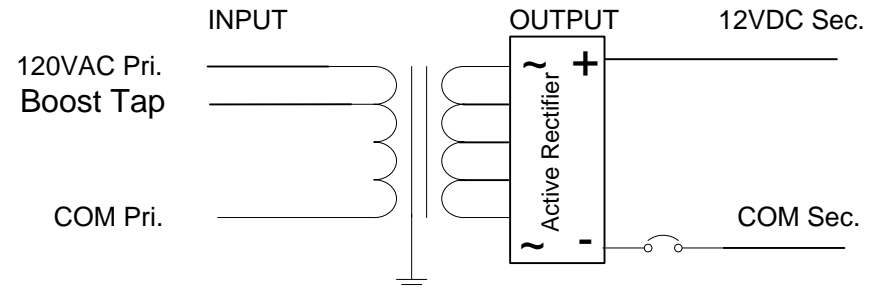



Table 1.

Output Volts	
120AC	Boost
11.6	12.6

 <b>TechnoMagnet LTD.</b> Interactive Lighting Servers				15547 Cabrito Road Van Nuys, CA 91406	
				PAGE ____	SCALE no scale
DRW.		OF ____	TOLERANCE ±		
CHK.					
APV.					
PART No. <b>TMC300S12DC</b> REV A					