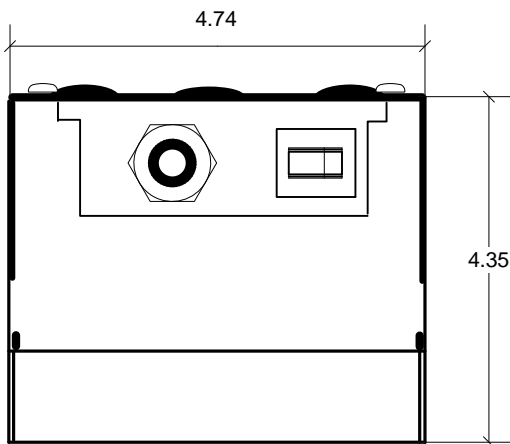
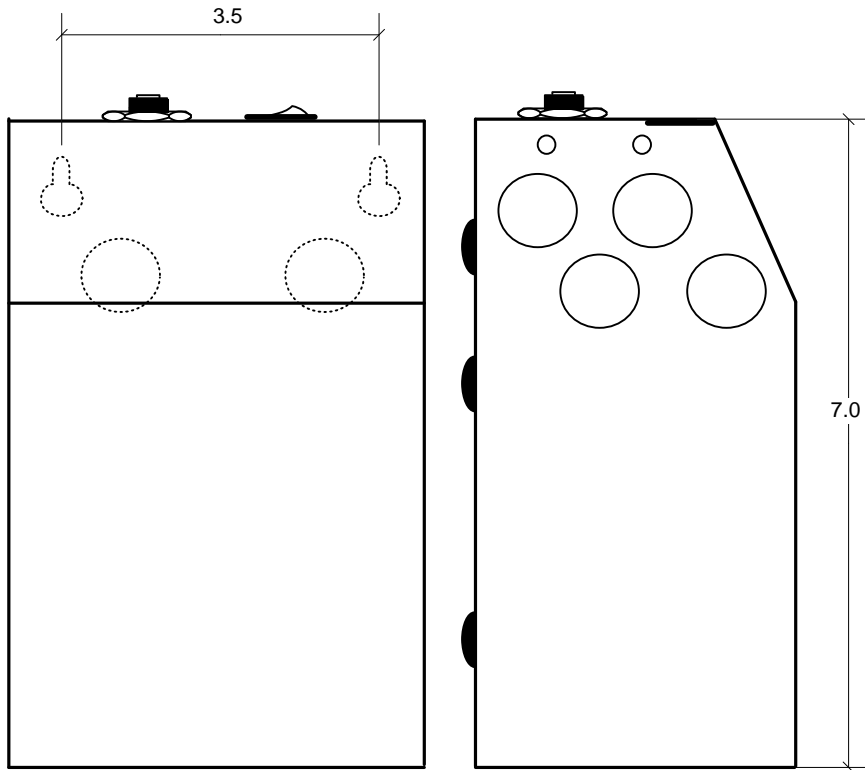


Two keyholes and additional knockout on the back.



**NOTES:**

1. Output voltage in table 1 with 120VAC applied and fully loaded.
2. Maximum no load input current : 0.6A
3. Enclosure Temperature does not exceed 70°C in a 40°C ambient, fully loaded.
4. The actual transformer 250VA is encapsulated in the enclosure.
5. The transformer is dimmable with all dimmers that provide symmetrical form of the current under any condition.
6. Input leads are 18 AWG 600V 105°C, output leads are 12 AWG 600V 150°C.
7. The transformer uses a class B (130°C) insulation system.
8. The transformer has manual reset 4 Amps. thermal breakers on primary side and 12.5Amps. magnetic breaker on the secondary side.
9. Wiring compartment has 8 side and 2 back knockouts sized for 3/4 inch screw cable connectors.
10. The removable cover for the wiring compartment is secured in place by clips.
11. The enclosure is black powder coated.
12. The Transformer is UL listed. UL file number: E194005. model C-300
13. The label contains Technomagnet's catalog number and electrical rating.

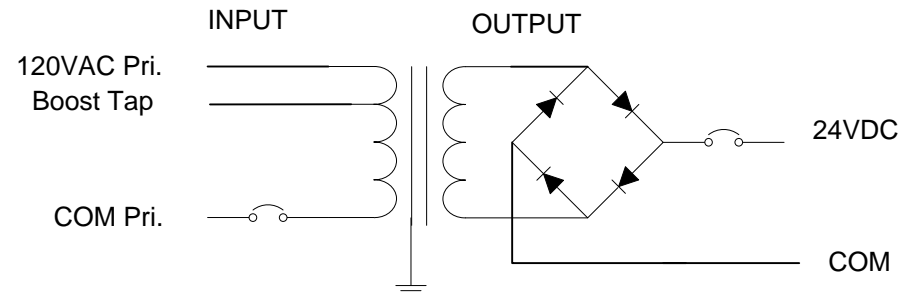


Table 1.

Output Volts	
120VAC	Boost
23	25

 <b>TechnoMagnet LTD.</b> Interactive Lighting Servers			15547 Cabrito Road Van Nuys, CA 91406		
			PAGE ____	SCALE no scale	
DRW.				OF ____	TOLERANCE ±
CHK.				DESCRIPTION: Compact indoor 24VDC 250VA Low voltage Transformer.	
APV.					
PART No. <b>TMC250S24DC</b> REV. <b>A</b>					