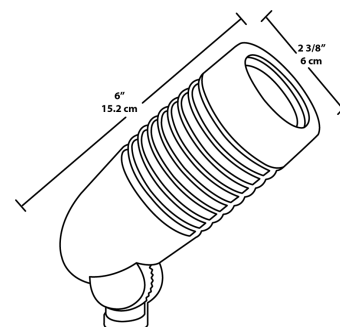


LFLED5A

Compact 5 Watt LED floodlight perfectly suited for small-scale landscape lighting applications. 85% more energy efficient than its 35 Watt MR16 equivalent. Specialized microprismatic lens delivers even and consistent light. Utilizes line voltage (120V-240V).

Color: Bronze

Weight: 1.5 lbs



LED Info

Watts: 5
 Color Temp: 5000K (Cool)
 Color Accuracy: 68
 L70 Lifespan: 0
 LM79 Lumens: 299
 Efficacy: 60 LPW

Driver Info

Type: Constant Current
 120V: 0.1 A
 208V: 0.06 A
 240V: 0.05 A
 277V: N/A
 Input Watts: 5W
 Efficiency: 100%

Technical Specifications

UL Listing:

Suitable for wet locations. Suitable for mounting within 4' of the ground.

Spot Lens:

Optional spot lens enables a tool-less conversion to an 18 degree NEMA 3x3 spot. Great for accent lighting or grazing buildings for an artistic touch. Spot reflector kit available .

LED:

5 Watt high output, long-life LED.

Lens:

Microprismatic diffusion lens for smooth and even light distribution.

Driver:

Constant Current, Class 2, 100-240V, 50-60Hz, 100-240VAC 0.18A

Lumen Maintenance:

50,000-Hour Life Based on LM-80 Tests.

Fixture Efficacy:

59 Lumens per Watt

NEMA Type:

4H x 4V with 44 degree beam angle

Cold Weather Starting:

Minimum starting temperature is -40F/-40C

Color Stability:

RAB LED performance exceeds industry standards for chromatic stability.

Color Accuracy:

68 CRI

Color Temperature (Nominal CCT):

5000K

Color Uniformity:

RAB's range of CCT (Correlated Color Temperature) follows the guidelines of the American National Standard for (SSL) Products, ANSI C78.377-2008.

Heatsink:

Superior heat sinking with external air flow fins.

Housing:

Precision die-cast aluminum housing, hood and mounting arm.

Gaskets:

High Temperature Silicone

Finish:

Chip and fade resistant polyester powder coat finish.

Warranty:

RAB LED fixtures give you peace of mind because both the fixture and light engine components are backed by RC's 5 Year Warranty.

Green Technology:

Mercury and UV free, and RoHS compliant.

IESNA LM-79 & IESNA LM-80 Testing:

RAB LED luminaires have been tested by an independent laboratory in accordance with IESNA LM-79 and 80, and have received the Department of Energy "Lighting Facts" label.

Patents:

The design of the LFLED is protected by patents pending in US, Canada, China, Taiwan and Mexico.

