

# WPLED13Y

13 Watt high performance LED Wallpack with 5 conduit entry points. Equivalent to 150W MH. Includes both junction box and surface mount for recessed box. IESNA Full Cutoff, Fully shielded optics. Mount at 11-20'. 5 year warranty.

Color: Bronze

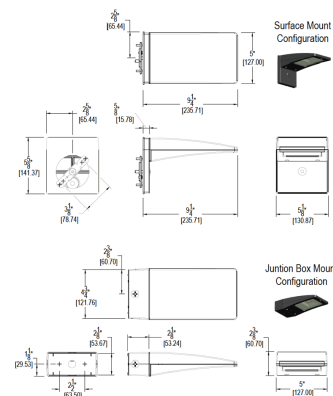
Weight: 3.3 lbs

## LED Info

Watts: 13  
 Color Temp: 3000K (Warm)  
 Color Accuracy: 87  
 L70 Lifespan: 0  
 LM79 Lumens: 662  
 Efficacy: 44 LPW

## Driver Info

Type: Constant Current  
 120V: 0.13 A  
 208V: 0.08 A  
 240V: 0.07 A  
 277V: 0.06 A  
 Input Watts: 15W  
 Efficiency: 87%



## Technical Specifications

### UL Listing:

Suitable for Wet Locations as a Downlight. Suitable for Damp Locations as an Uplight. Wall Mount only. Suitable for Mounting within 4ft. of ground.

### Finish:

Chip and fade resistant polyester powder coat finish.

### Color Stability:

RAB LEDs exceed industry standards for chromatic stability.

### Country of Origin:

Designed by RAB in New Jersey and assembled in the USA by IBEW Local 3

### Buy American Act Compliant:

This product is a COTS item manufactured in the United States, and is compliant with the Buy American Act.

### Recovery Act (ARRA) Compliant:

This product complies with the 52.225-21 "Required Use of American Iron, Steel, and Manufactured Goods-- Buy American Act-- Construction Materials (October 2010)

### Trade Agreements Act Compliant:

This product is a COTS item manufactured in the United States, and is compliant with the Trade Agreements Act.

### GSA Schedule:

This product is suitable for listing on the GSA Schedule of the US General Services in accordance with FAR Subpart 25.4

### Color Uniformity:

RAB's range of CCT (Correlated color temperature) follows the guidelines of the American National Standard for Specifications for the Chromaticity of Solid State Lighting (SSL) Products, ANSI C78.377-2008.

### Cold Weather Starting:

The minimum starting temperature is -40F/-40C

### Ambient Temperature:

Suitable for use in 50C (122F) ambient temperatures

### Fixture Efficacy:

44 Lumens per Watt

### LED Light Engine:

Multi-chip 13W high output long life LED Driver Constant Current, Class 2 100V - 277V, 50/60 Hz

### Surge Protection:

4kv

### Color Temperature (Nominal CCT):

3000K

### Color Accuracy:

87 CRI

### Lumen Maintenance:

The LED will deliver 70% of its initial lumens at 50,000 hours of operation.

### Green Technology:

RAB LEDs are Mercury and UV free.

### Patents:

The LPACK design is protected under patents pending in the U.S., Canada, China, Taiwan and Mexico.



WPLED13Y - continued

**Dark Sky Approved:**

The International Dark Sky Association has approved this product as a full cutoff, fully shielded luminaire.

**For use on LEED Buildings:**

IDA Dark Sky Approval means that this fixture can be used to achieve LEED Credits for Light Pollution Reduction.

**IESNA LM-79 & IESNA LM-80 Testing:**

RAB LED luminaires have been tested by an independent laboratory in accordance with IESNA LM-79 and 80, and have received the Department of Energy "Lighting Facts" label.

**Gaskets:**

High Temperature Silicone

**Warranty:**

RAB LED fixtures give you peace of mind because both the fixture and light engine components are backed by RAB's 5 Year Warranty. For more information,

**Equivalency:**

The WPLED13 is Equivalent in delivered lumens to a 100W Metal Halide Wallpack.

**HID Replacement Range:**

The WPLED13 can be used to replace 70-150W Metal Halide Wallpacks based on delivered lumens.

