

## 10W LED WALLPACK INSTALLATION INSTRUCTIONS



**WPLED10  
Junction Box**



**WPLED10S  
Surface Mount**

Thank you for buying RAB lighting fixtures. Our goal is to design the best quality products to get the job done right. We'd like to hear your comments. Call the us at 888-RAB-1000, or email: [marketing@rabweb.com](mailto:marketing@rabweb.com)

### IMPORTANT

**READ CAREFULLY BEFORE INSTALLING FIXTURE. RETAIN THESE INSTRUCTIONS FOR FUTURE REFERENCE.**

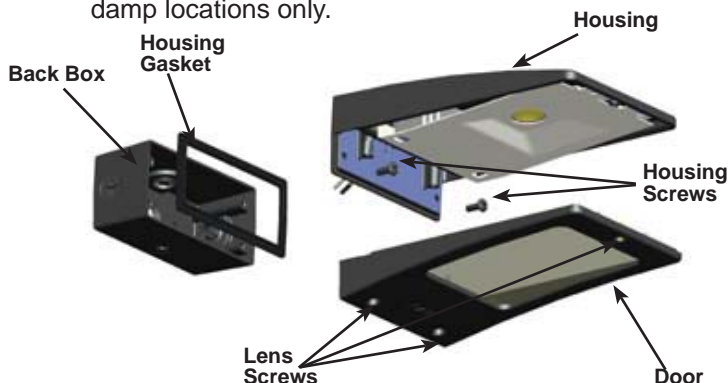
RAB fixtures must be wired in accordance with the National Electrical Code and all applicable local codes. Proper grounding is required for safety. THIS PRODUCT MUST BE INSTALLED IN ACCORDANCE WITH THE APPLICABLE INSTALLATION CODE BY A PERSON FAMILIAR WITH THE CONSTRUCTION AND OPERATION OF THE PRODUCT.

**WARNING: Make certain power is OFF before installing or maintaining fixture. No user serviceable parts inside.**

### JUNCTION BOX MOUNT FOR CONDUIT

For use on applications where conduit wiring is necessary.

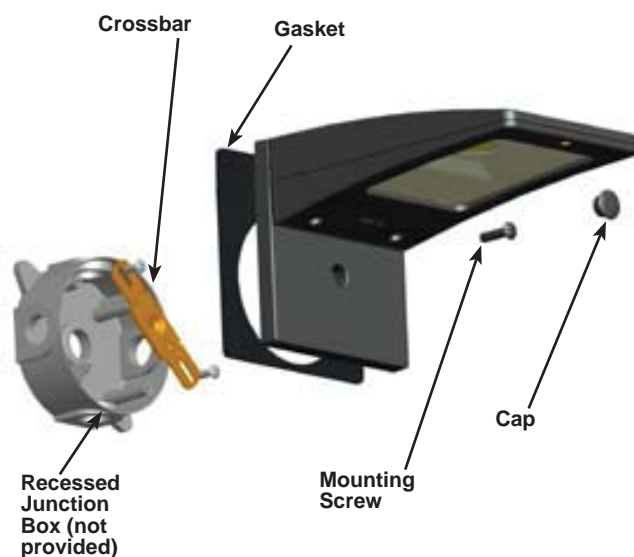
1. Loosen and remove (3) **Lens Screws**. Remove **Door**.
2. Loosen and remove (2) **Housing Screws**. Remove **Housing** from **Back Box**. Keep **Housing Gasket** intact for re-assembly.
3. Secure **Back Box** to the mounting surface using hardware appropriate for that mounting surface.
4. Wire the fixture using UL listed wire connectors according to NEC and local codes. Apply sealant to all unused conduit entry points.
5. Place **Gasket** between **Back Box** and **Housing**. Re-mount **Housing** to **Back Box**. Check **Housing Gasket** seal all around the **Back Box**.
6. Re-mount **Door** to **Housing**. Tighten (3) **Lens Screws**. Check door gasket(not shown) seal.
7. Fixture can be mounted as an upright in dry and damp locations only.



### SURFACE MOUNT FOR RECESSED BOX

For use with recessed junction box and wiring.

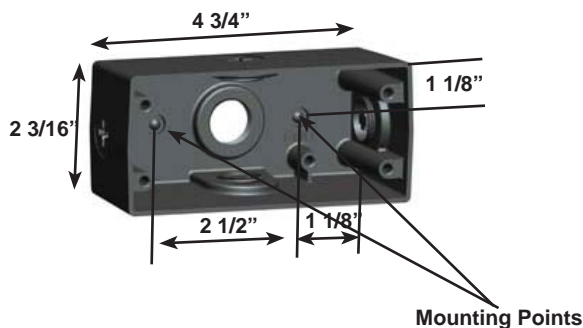
1. Use supplied crossbar. Mount **Crossbar** to recessed junction box with (2) screws.
2. Place **Gasket** on back of the fixture. Gasket should create seal against mounting surface.
3. Wire fixture to supply wires in recessed box according to wiring section.
4. Use 1/4 x 20 stainless steel **Mounting Screw** to attach fixture to **Crossbar**. Tighten **Mounting Screw**.
5. Cover screw with **Cap**, provided.
6. Fixture can be mounted as an upright in dry and damp locations only.



## 10W LED WALLPACK INSTALLATION INSTRUCTIONS

### JUNCTION BOX

1. The Junction box has (4) conduit entry points on the center of each side and (1) in the center back.
2. **Mounting Points** are dimensioned below.



### CLEANING & MAINTENANCE

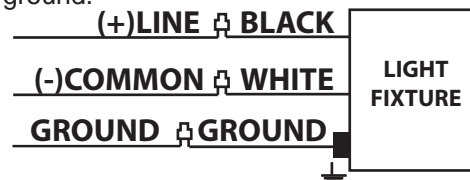
**CAUTION: Be sure fixture temperature is cool enough to touch. Do not clean or maintain while fixture is energized.**

1. Clean glass lens with non-abrasive glass cleaning solution.
2. Do not open fixture to clean the LED. Do not touch the LED.

### WIRING

All units may operate at 120V to 240V, 50 or 60Hz.

1. Connect the black fixture lead to the (+) LINE supply lead.
2. Connect the white fixture lead to the (-) COMMON supply lead.
3. Connect the bare copper Ground wire from fixture to supply ground.



### TROUBLESHOOTING

1. Check that the line voltage at fixture is correct. Refer to wiring directions.
2. Is the fixture is grounded properly?
3. Is the photocell is functioning properly (if used)?

Patent pending

Note: These instructions do not cover all details or variations in equipment nor do they provide for every possible situation during installation, operation or maintenance.

RAB

### lighting facts<sup>CM</sup>

A Program of the U.S. DOE

Light Output (Lumens)	542
Watts	13.3
Lumens per Watt (Efficacy)	41

Color Accuracy	45
Color Rendering Index (CRI)	

**Light Color** 2905 (Warm White)

Correlated Color Temperature (CCT)

2700K   3000K   4500K   6500K

All results are according to IESNA LM-79-2008: *Approved Method for the Electrical and Photometric Testing of Solid-State Lighting*. The U.S. Department of Energy (DOE) verifies product test data and results. Products qualified under the DOE ENERGY STAR<sup>®</sup> program have the ENERGY STAR mark on this label.

Visit [www.lightingfacts.com](http://www.lightingfacts.com) for the *Label Reference Guide*.

Registration Number: WVMA-QXCFYZ  
Model Number: WPLED10SY  
Type: Outdoor wall-mounted area fixtures ("wall packs")

RAB

### lighting facts<sup>CM</sup>

A Program of the U.S. DOE

Light Output (Lumens)	547
Watts	13.2
Lumens per Watt (Efficacy)	41

Color Accuracy	92
Color Rendering Index (CRI)	

**Light Color** 5250 (Daylight)

Correlated Color Temperature (CCT)

2700K   3000K   4500K   6500K

All results are according to IESNA LM-79-2008: *Approved Method for the Electrical and Photometric Testing of Solid-State Lighting*. The U.S. Department of Energy (DOE) verifies product test data and results. Products qualified under the DOE ENERGY STAR<sup>®</sup> program have the ENERGY STAR mark on this label.

Visit [www.lightingfacts.com](http://www.lightingfacts.com) for the *Label Reference Guide*.

Registration Number: WVMA-6ENYQA  
Model Number: WPLED10  
Type: Outdoor wall-mounted area fixtures ("wall packs")

