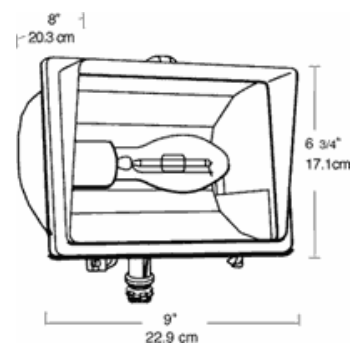


FF35

Compact, tough and good looking cast aluminum housing with hinged framed glass lens. Integra Hood glare shield and stainless steel clip. 35 to 150 watt HPS, 50 & 70 watt Pulse Start Metal Halide. Lamp supplied.

Color: Bronze

Weight: 6.0 lbs



Lamp Info

Type: ED17
 Watts: 35
 Shape/Size: N/A
 Base: N/A
 ANSI: N/A
 Hours: 24,000
 Lamp Lumens: 2,250
 Efficacy: 49 LPW

Ballast Info

Type: R-NPF 120V
 120V: 1.4/0.9
 208V: N/A
 240V: N/A
 277V: N/A
 Input Watts: 46W
 Efficiency: 76%

Technical Specifications

UL Listing:

Suitable for wet locations. Suitable for mounting within 4' of the ground

Sockets:

Porcelain with all copper current carrying components

Housing:

Precision die cast aluminum, 1/2" NPS threaded arm with locking swivel fits all standard mounting boxes

Reflector:

Anodized semi-specular aluminum

Lens:

Thermal tempered shock resistant glass

Lens Gasket:

High temperature tubular silicone set in die cast retaining groove remains in place during relamping

Socket:

Glazed porcelain 4kv pulse rated with nickel plated screw shell and spring contacts

Finish:

Chip and fade resistant polyester powder coating

EPA:

0.43

Patents:

Pat. D420,458

Country of Origin:

Designed by RAB in New Jersey and assembled in the USA by IBEW Local 3

Buy American Act Compliant:

This product is a COTS item manufactured in the United States, and is compliant with the Buy American Act.

Recovery Act (ARRA) Compliant:

This product complies with the 52.225-21 "Required Use of American Iron, Steel, and Manufactured Goods-- Buy American Act-- Construction Materials (October 2010)

Trade Agreements Act Compliant:

This product is a COTS item manufactured in the United States, and is compliant with the Trade Agreements Act.

GSA Schedule:

This product is suitable for listing on the GSA Schedule of the US General Services in accordance with FAR Subpart 25.4