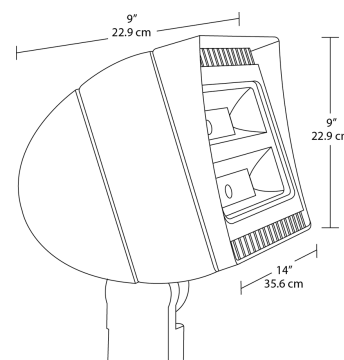


# FXLED78SF

High power, wide distribution LED floodlight. Replaces 250W MH. Patent Pending airflow technology ensures long LED and driver lifespan. Use for building facade lighting, sign lighting, LED landscape lighting and instant-on security lighting.

Color: Bronze

Weight: 24.0 lbs



## LED Info

Watts: 78W  
 Color Temp: 5100K (Cool)  
 Color Accuracy: 67  
 L70 Lifespan: 100000  
 LM79 Lumens: 7,597  
 Efficacy: 97 LPW

## Driver Info

Type: Constant Current  
 120V: 0.66A  
 208V: 0.41A  
 240V: 0.35A  
 277V: 0.30A  
 Input Watts: 79W  
 Efficiency: 99%

## Technical Specifications

### UL Listing:

Suitable for wet locations. Suitable for mounting within 1.2m (4ft) of the ground.

### Lumen Maintenance:

100,000-hour LED lifespan based on IES LM-80 results and TM-21 calculations.

### IP Rating:

Ingress Protection rating of IP66 for dust and water.

### EPA:

2

### NEMA Type:

6H x 5V Beam Spread.

### Replacement Range:

The FXLED78 can be used to replace 150 - 320W Metal Halide Floodlights based on delivered lumens.

### LEDs:

Six multi-chip, 13Watt high-output, long-life LEDs.

### Driver:

Constant Current, Class 2, 2000mA, 100-277V, 50-60Hz, 1.1A, Power Factor 99%

### THD:

5% at 120V, 13.1% at 277V

### Surge Protection:

4kV

### Ambient Temperature:

Suitable for use in 40°C ambient temperatures.

### Cold Weather Starting:

The minimum starting temperature is -40°F/-40°C.

### Thermal Management:

Superior heat sinking with external Air-Flow fins.

### Housing:

Die-cast aluminum housing and door frame.

### Mounting:

Heavy-duty Slip Fitter for 2 3/8"OD pipe.

### Color Consistency:

7-step MacAdam Ellipse binning to achieve consistent fixture-to-fixture color.

### Color Stability:

LED color temperature is warranted to shift no more than 200K in CCT over a 5 year period.

### Color Uniformity:

RAB's range of CCT (Correlated Color Temperature) follows the guidelines of the American National Standard for (SSL) Products, ANSI C78.377-2008.

### Equivalency:

The FXLED78 is Equivalent in delivered lumens to a 250W Metal Halide.

### Reflector:

Specular vacuum-metallized polycarbonate

### Gaskets:

High-temperature silicone gaskets.

### Finish:

Our environmentally friendly polyester powder coatings are formulated for high-durability and long-lasting color, and contains no VOC or toxic heavy metals.

### Green Technology:

Mercury and UV free.

FXLED78SF - continued

**IESNA LM-79 & LM-80 Testing:**

RAB LED luminaires have been tested by an independent laboratory in accordance with IESNA LM-79 and LM-80, and have received the Department of Energy Lighting Facts label.

**California Title 24:**

See FXLED78SF/D10, FXLED78SF/BL, FXLED78SF/PCS or FXLED78SF/PCS2 (277V) for a 2013 California Title 24 compliant product. Any additional component requirements will be listed in the Title 24 section under technical specifications on the product page.

**Warranty:**

RAB warrants that our LED products will be free from defects in materials and workmanship for a period of five (5) years from the date of delivery to the end user, including coverage of light output, color stability, driver performance and fixture finish.

**Patents:**

The FXLED78 design is protected by U.S. Pat. D659,280, Canada Pat. 143155, China Pat. ZL201130443125.9, Mexico Pat. 36558 and pending patent in Taiwan.

**DLC Listed:**

This product is on the Design Lights Consortium (DLC) Qualified Products List and is eligible for rebates from DLC Member Utilities.

