

PHILIPS



iColor Cove MX
Powercore

LED Luminaire

Date: _____

Type: _____

Firm Name: _____

Project: _____



iColor Cove MX Powercore

50° x 70° Beam Angle, 305 mm (1 ft), UL/cUL/CE

Premium interior linear LED cove and accent fixture with intelligent color light

This high-intensity LED fixture affords virtually limitless options for filling indoor alcoves and accent spaces with vibrant light. As the premium member of the iColor Cove family, iColor Cove MX Powercore is also ideally suited for backlighting and cost-effective indoor wall washing. Combines professional-grade color mixing and output of up to 387 lumens per foot with the efficiency and cost-effectiveness of Powercore technology.

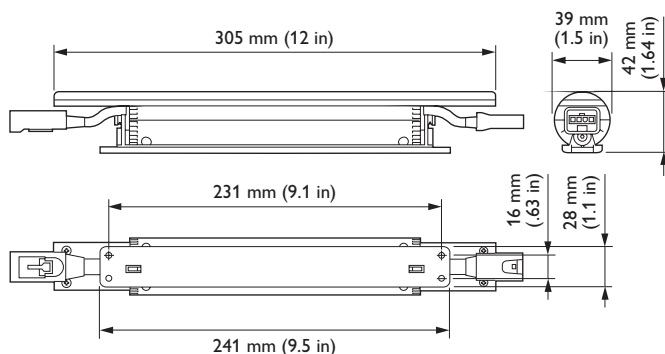
iColor Cove MX Powercore

Premium interior linear LED cove and accent fixture with intelligent color light

- High-performance illumination—iColor Cove MX Powercore is available in 305 mm (1 ft) and 1.2 m (4 ft) die-cast aluminum housings with a wide 125° x 120° or medium 50° x 70° beam angle. Superior beam quality delivers striation-free light. Interlocking connectors accommodate end-to-end installation without visible light scalloping between fixtures.
- Integrates Powercore technology—Powercore technology rapidly, efficiently, and accurately controls power output to fixtures directly from line voltage. The Philips Color Kinetics Data Enabler Pro merges line voltage with control and delivers them to the fixture over a single standard cable, dramatically simplifying installation and lowering total system cost.
- Superior color consistency—Optibin, a proprietary binning optimization process, guarantees uniformity and consistency of hue across LEDs, fixtures, and manufacturing runs.
- Advanced color mixing—Patented Chromacore technology, pioneered by Philips Color Kinetics, enables precise control over individual LED channels to produce millions of colors and full-color, dynamic effects.
- Industry-leading controls—Fixtures work seamlessly with the complete Philips Color Kinetics line of controllers, including iPlayer 3, Light System Manager, and ColorDial Pro, as well as third-party controllers.
- Universal power input range—Accepts power input of 100–240 VAC for consistent installation anywhere in the world.
- Easy installation—Powercore allows long product runs and eliminates the need for special wiring and external power supplies.
- Flexible mounting and positioning—With end-to-end locking power connectors that can make 180° turns, these compact cove fixtures are easy to position in even the most challenging mounting circumstances. 305 mm (1 ft) and 1.5 m (5 ft) jumper cables can add extra space between fixtures. Optional mounting tracks support vertical and overhead positioning.

For detailed product information, please refer to the iColor Cove MX Powercore Product Guide at www.colorkinetics.com/ls/rgb/covemx/

Dimensions



Specifications

Due to continuous improvements and innovations, specifications may change without notice.

Date: _____
 Type: _____
 Firm Name: _____
 Project: _____



iColor Cove MX Powercore
 50° x 70° Beam Angle, 305 mm (1 ft), UL/cUL/CE

Output

| | |
|-----------------|----------------|
| Beam Angle | 50° x 70° |
| Lumens† | 296 |
| Efficacy (lm/W) | 17.2 |
| LED Channels | Red/Green/Blue |

Electrical

| | |
|--|---------------------------------------|
| Input Voltage | 100–240 VAC, auto-switching, 50/60 Hz |
| Power Consumption <i>(Maximum at full output, steady state)</i> | 13 W |

Control

| | |
|-----------|------------------------------------|
| Interface | Data Enabler Pro (DMX or Ethernet) |
|-----------|------------------------------------|

Control System

Philips Color Kinetics full range of controllers, including Light System Manager, Video System Manager Pro, iPlayer 3, Antumbra iColor Keypad, and ColorDial Pro, or third-party controllers

| | |
|------------|------------------|
| ActiveSite | ActiveSite Ready |
|------------|------------------|

Lumen Maintenance

| Threshold§ | Ambient Temperature | Reported¶ | Calculated¶ |
|-----------------|---------------------|-----------|-------------|
| L ₅₀ | 25° C | >100000 | |
| | 50° C | 90000 | |

Physical

| | |
|---|--|
| Dimensions <i>(Height x Width x Depth)</i> | 51 x 305 x 38 mm (2 x 12 x 1.5 in) |
| Weight | 454 g (1 lb) |
| Housing Material | Die-cast aluminium, white powder-coated finish |
| Lens | Polycarbonate |
| Fixture Connections | Integral male/female connectors |

| | |
|--------------------|---------------------------------------|
| Temperature Ranges | -20° – 50° C (-4° – 122° F) Operating |
| | -20° – 50° C (-4° – 122° F) Startup |
| | -40° – 80° C (-40° – 176° F) Storage |

| | |
|----------|-------------------------|
| Humidity | 0 – 95%, non-condensing |
|----------|-------------------------|

Fixture Run Lengths

To calculate fixture run lengths and total power consumption for your specific installation, download the Configuration Calculator from www.colorkinetics.com/support/install_tool/

Certification and Safety

| | |
|-------------|--|
| Approbation | UL/cUL, FCC Class B, CE, PSE, CCC, C-Tick, SAA |
| Environment | Dry/Damp Location, IP20 |



† Lumen output measurements comply with IES LM-79-08 testing procedures.

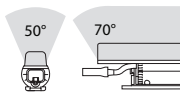
§ L_{xx} = xx% lumen maintenance (when light output drops below xx% of initial output). All values are given at B10, or the median value where 90% of the LED population is better than the reported or calculated lumen maintenance measurement.

¶ Lumen maintenance figures are based on lifetime prediction graphs supplied by LED source manufacturers. Whenever possible, figures use measurements that comply with IES LM-80-08 testing procedures. In accordance with TM-21-11, Reported values represent the interpolated value based on six times the LM-80-08 total test duration (in hours). Calculated values represent time durations that exceed six times the total test duration.

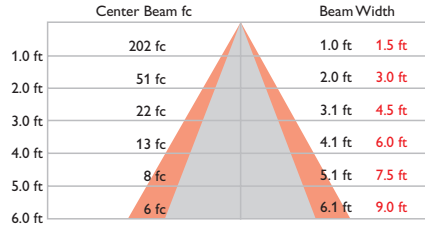
iColor Cove MX Powercore Photometrics 305 mm (1 ft), 50° x 70°

Photometric data is based on test results from an independent NIST traceable testing lab. IES data is available at www.philipscolorkinetics.com/support/ies.

| | | |
|-----------------|-----------|--|
| Beam Angle | 50° x 70° | |
| LED | RGB | |
| Lumens | 296 | |
| Efficacy (lm/W) | 17.2 | |



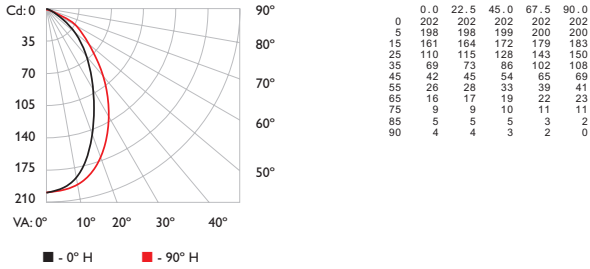
Illuminance at Distance



4.3 m (14.2 ft)
1 fc maximum distance

Vert. Spread: 54.1°
Horiz. Spread: 73.5°

Polar Candela Distribution



Zonal Lumen

| ZONE | LUMENS | %FIXT |
|--------|--------|-------|
| 0- 30 | 126 | 42.4 |
| 0- 40 | 180 | 60.9 |
| 0- 60 | 253 | 85.5 |
| 0- 90 | 288 | 97.3 |
| 90-120 | 5 | 1.8 |
| 90-130 | 6 | 2.2 |
| 90-150 | 8 | 2.6 |
| 90-180 | 8 | 2.7 |
| 0-180 | 296 | 100.0 |

Coefficients Of Utilization - Zonal Cavity Method

| RC | Effective Floor Cavity Reflectance: 20% | | | | | | | | | | | | | | |
|----|---|-----|-----|-----|-----|-----|-----|-----|-----|-----|-----|-----|-----|-----|-----|
| | 80 | | | 70 | | | 50 | | | 30 | | | 10 | | |
| RW | 70 | 50 | 30 | 10 | 70 | 50 | 30 | 10 | 50 | 30 | 10 | 50 | 30 | 10 | 0 |
| 0 | 118 | 118 | 118 | 118 | 115 | 115 | 115 | 115 | 110 | 110 | 110 | 104 | 104 | 104 | 100 |
| 1 | 110 | 106 | 102 | 99 | 107 | 103 | 100 | 97 | 99 | 96 | 94 | 94 | 92 | 90 | 90 |
| 2 | 102 | 95 | 89 | 84 | 99 | 93 | 88 | 83 | 89 | 85 | 81 | 85 | 82 | 79 | 82 |
| 3 | 94 | 85 | 79 | 73 | 92 | 84 | 77 | 72 | 80 | 75 | 71 | 77 | 73 | 69 | 75 |
| 4 | 88 | 77 | 70 | 64 | 85 | 76 | 69 | 64 | 73 | 67 | 63 | 71 | 66 | 61 | 68 |
| 5 | 82 | 71 | 63 | 57 | 80 | 69 | 62 | 57 | 67 | 61 | 56 | 65 | 59 | 55 | 63 |
| 6 | 76 | 65 | 57 | 51 | 74 | 64 | 56 | 51 | 62 | 55 | 50 | 60 | 54 | 50 | 58 |
| 7 | 72 | 60 | 52 | 47 | 70 | 59 | 52 | 46 | 57 | 51 | 46 | 56 | 50 | 45 | 54 |
| 8 | 67 | 55 | 48 | 43 | 66 | 54 | 47 | 42 | 53 | 47 | 42 | 52 | 46 | 42 | 50 |
| 9 | 63 | 51 | 44 | 39 | 62 | 51 | 44 | 39 | 49 | 43 | 39 | 48 | 42 | 38 | 47 |
| 10 | 60 | 48 | 41 | 36 | 58 | 47 | 41 | 36 | 46 | 40 | 36 | 45 | 40 | 36 | 44 |

For lux multiply fc by 10.7

Fixture and Accessories

Use Item Number when ordering in North America.

| Fixture | Item Number | Philips 12NC |
|--------------------------|---------------|--------------|
| iColor Cove MX Powercore | 123-000004-03 | 910503701222 |

Accessories

| | | |
|---|---------------|--------------|
| Mounting Track, White, 1 @ 1219 mm (4 ft) | 120-000124-00 | 910503701787 |
| Leader Cable with Terminator, 3.1 m (10 ft), UL/cUL | 108-000050-00 | 910503701686 |
| Leader Cable with Terminator, 3.1 m (10 ft), CE/CCC | 108-000050-01 | 910503701687 |
| Jumper Cable, 305 mm (1 ft), UL/cUL | 108-000049-01 | 910503701683 |
| Jumper Cable, 305 mm (1 ft), CE/CCC | 108-000049-03 | 910503701685 |
| Jumper Cable, 1.5 m (5 ft), UL/cUL | 108-000049-00 | 910503701682 |
| Jumper Cable, 1.5 m (5 ft), CE/CCC | 108-000049-02 | 910503701684 |
| Wiring Compartment with Terminator, UL/cUL | 120-000077-02 | 910503701740 |
| Terminators, Quantity 10 | 120-000099-01 | 910503704251 |

Power Supplies

| | | |
|---|---------------|--------------|
| Data Enabler Pro, 3/4 in / 1/2 in NPT (U.S. trade size conduit) | 106-000004-00 | 910503701210 |
| Data Enabler Pro, PG21/PG13 (metric size conduit) | 106-000004-01 | 910503701211 |

Copyright © 2016 Philips Solid-State Lighting Solutions, Inc. All rights reserved. Chromacore, Chromasic, CK, the CK logo, Color Kinetics, the Color Kinetics logo, ColorBlast, ColorBlaze, ColorBurst, eW Fuse, ColorGraze, ColorPlay, ColorReach, iW Reach, eW Reach, DIMand, EssentialWhite, eW, EvenBalance, iColor, iColor Cove, IntelliWhite, iW, iPlayer, Optibin and Powercore are either registered trademarks or trademarks of Philips Solid-State Lighting Solutions, Inc. in the United States and/or other countries. All other brand or product names are trademarks or registered trademarks of their respective owners. Due to continuous improvements and innovations, specifications may change without notice.

DAS-000019-04 R01 07 Aug 2016



Philips Color Kinetics
www.philips.com/colorkinetics