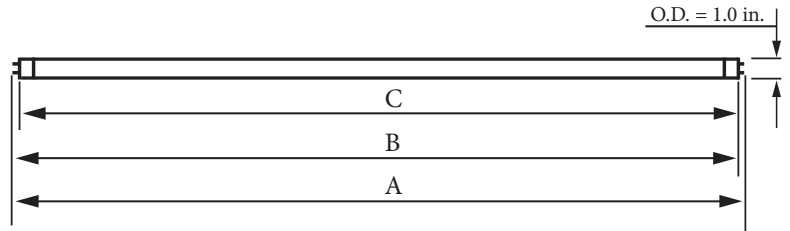


Please check latest update for complete information.

http://www.designlights.org/solidstate.about.QualifiedProductsList_Publicv2.php



Dimensions in inches

Product Type	A(max.)	B(max.)	C(max.)
20W (4')	47.8"	47.4"	47.22"
26W (4')	47.8"	47.4"	47.22"

Incredible 70,000 hrs

GENERAL DESCRIPTION

Neptun's high performance LED T8 tubes are designed for the replacement of existing T8 fluorescent lighting systems. The 88 series tubes are offered in a variety of color temperatures for flexibility in all types of applications. The frosted lens allows for an evenly illuminated glow resembling existing fluorescent tubes. Very low temperature operation saves on HVAC costs and long life greatly reduces maintenance costs. The self-ballasted design allows for easy installation into most commonly used T-8 system fixtures.

APPLICATION


- Office Lighting
- School Lighting
- Healthcare Lighting
- Storage Lighting

STRUCTURE, MATERIALS, & FEATURES

- Aluminum backing for excellent thermal management.
- Frosted non yellowing polycarbonate lens for even glow. (Glare Free)
- Correlated Color Temperatures of 3000°K, 3500°K, 4100°K, & 5000°K.
- Mercury free design.
- No radiated EMI interference.
- 360 PCS High Output LED's.
- High power factor, low THD internal driver.
- InstantON flicker-free Cold Start and Hot Re-Start.
- Up to 15 years Maintenance free operation.
- 5 Year Warranty.

ORDERING INFORMATION

Sample Number: LED-88020-UNV-841-1P-R17D
 Custom options and accessories available. Please consult factory

Source	Series	Wattage	Voltage	Color Temp.	Wiring Config.	Options
LED = LED	88 = T8 Tubes	020 = 20 W 026 = 26 W	UNV = 120-277 VAC	830 = 3000°K 835 = 3500°K 841 = 4100°K ** 850 = 5000°K ** = DLC Listed	1P = Single Ended 2P = Dual Ended * See Pg. 2	R17D = Recessed Double Contact Caps 



lightinnovations@work™

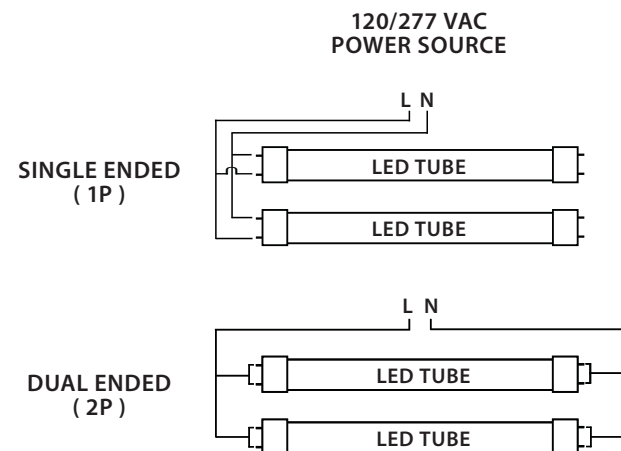
PRODUCT INFORMATION

Model No.	Watts	Input Line Current (Amp) @ 120 - 277	Power Factor	THD	Color Temp. CCT (°K)	CRI	Lumens	Lm/W	Nominal Length (Inch)	Base	Beam Angle
LED-88020-UNV-830	20	0.174-0.075	>0.90	<20%	3,000°	>80	2,000	100	48"	Bi-Pin	120°
LED-88020-UNV-835	20	0.174-0.075	>0.90	<20%	3,500°	>80	2,040	102	48"	Bi-Pin	120°
LED-88020-UNV-841	20	0.174-0.075	>0.90	<20%	4,100°	>80	2,060	103	48"	Bi-Pin	120°
LED-88020-UNV-850	20	0.174-0.075	>0.90	<20%	5,000°	>80	2,080	104	48"	Bi-Pin	120°
LED-88026-UNV-830	26	0.227-0.098	>0.90	<20%	3,000°	>80	2,600	100	48"	Bi-Pin	120°
LED-88026-UNV-835	26	0.227-0.098	>0.90	<20%	3,500°	>80	2,652	102	48"	Bi-Pin	120°
LED-88026-UNV-841	26	0.227-0.098	>0.90	<20%	4,100°	>80	2,678	103	48"	Bi-Pin	120°
LED-88026-UNV-850	26	0.227-0.098	>0.90	<20%	5,000°	>80	2,704	104	48"	Bi-Pin	120°

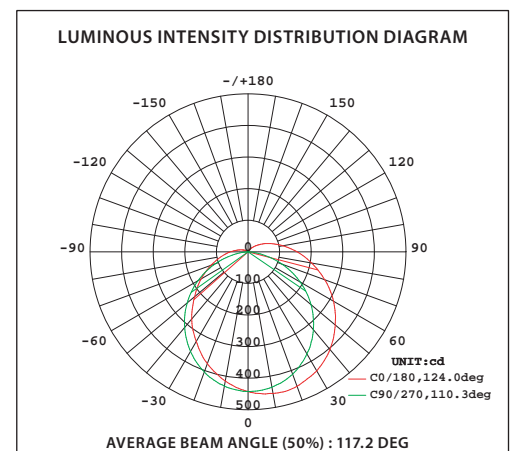
SPECIFICATIONS

- LED Driver Self-Ballasted
- Power Supply 350mA
- Start Method InstantON
- Hot Re-start InstantON
- Universal Input Line Voltage 120-277 VAC
- Input Line Frequency 50/60 Hz
- Driver Off-State Draw 0 Watts
- Sound Rating Class A
- LED / Driver System Life 70,000 Hrs.
- Lumen Maintenance @50,000Hrs > 70%
- Color Temperature Various
- Color Rendering Index (CRI) > 80
- Minimum Starting Temperature -35°C
- Maximum Starting Temperature 45°C
- Lumens per Watt > 100
- Shock / Vibration Resistant Yes
- Power Factor > 0.90
- Total Harmonic Distortion < 20%
- ETL Listed / UL Standard 1993 Yes
- FCC Compliance Part 15, Subp. C
- Warranty 5 Year

WIRING DIAGRAM (See Complete Installation Instructions)



PHOTOMETRICS



Neptun Light, Inc.
 13950 Business Center Drive
 Lake Forest, IL 60045
 Fax: 847.735.8004

Neptun Light, Inc. reserves the right to change materials or modify the design of its product without notification as part of the company's continuing product improvement program.
 ©2002-2013 Neptun Light, Inc. All rights reserved.

Spec. Rev. 4-2015