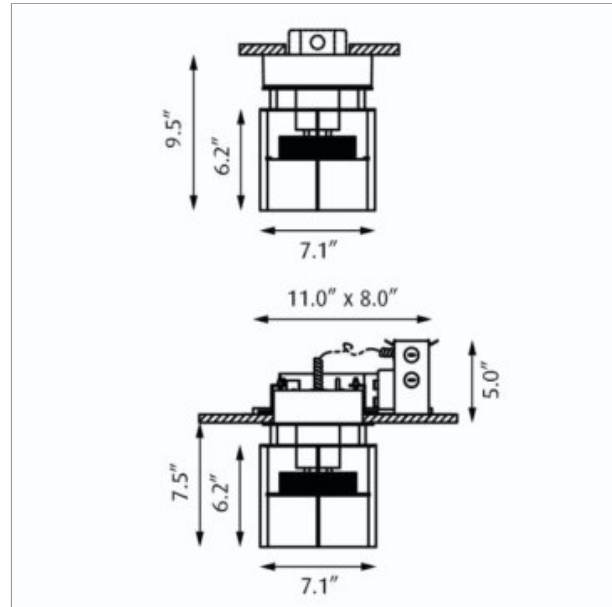


# Magazin Maxi



Design: Vilhelm Wohlert

Concept: The anti-glare and reflector rings ensure that the light is primarily directed downwards, but an opening in the reflector ring allows illumination of the ceiling. The inner polycarbonate ring softens the light and protects from glare. The four supports create a characteristic light pattern on the ceiling.

Finish: White, powder coated.

Material: Shield: Injection molded polycarbonate. Ring: Die cut steel. Anti-glare ring: Extruded steel. Box: Die cast aluminum.

Mounting: Surface: Mounted directly to a recessed 4" octagonal junction box. Semi-recessed: Mounting frame with two vertically adjustable brackets spaced equally at 180° to be installed prior to closing the ceiling. Ceiling types: Accessible and non-accessible ceilings. Ceiling cutout: 5.5" diameter.

Weight: Max. 13 lbs.

Label: cULus, Damp location. IBEW.

Product code	Light source	Voltage	Finish	Mounting	Options
MAG-MAX-C	1/26W/CF GX24q-3 1/32W/CF GX24q-3 1/26W/32W/CF GX24q-3	120-277V 120/277V 120V 277V	WHT	SEMI-RECESSED SURFACE	NOT APPLICABLE EMPK LUTRON DIMMING

**Specification notes**

- a. Provided with one 120-277V integral electronic ballast.
- b. EMPK (emergency power pack) in dual tap 120/277V and is only available for semi-recessed variant.
- c. LUTRON dimming 120V or 277V is digital dimming and only available for semi-recessed variant.

**Info notes**

- I. The comparable EU version has the following classification: Ingress Protection Code: IP20.



Scan the code for more information