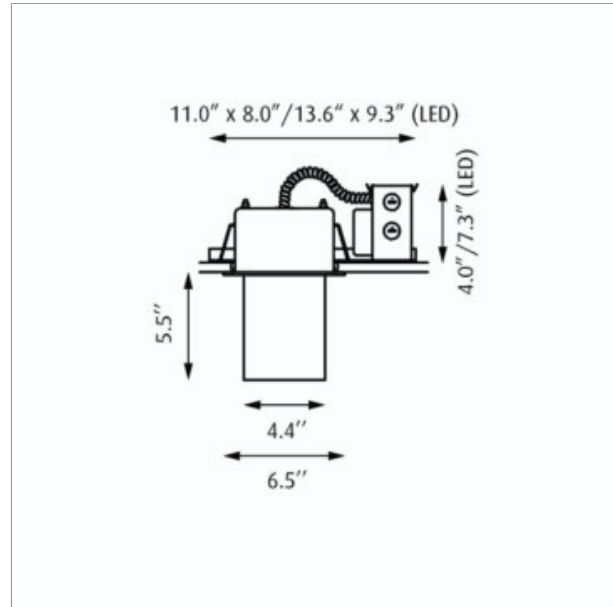


Ballerup



Design: C. J. Nørgaard Pedersen & P. Hougaard Nielsen

Concept: The light distribution is symmetric and directed downwards. The vertical three-layer handblown glass cylinder provides a soft and comfortable light on the ceiling around the fixture, as well as reducing glare for passers-by.

Finish: White, powder coated. White opal glass.

Material: Diffuser: Handblown white opal glass. Housing: Spun steel.

Mounting: Semi-recessed: Mounting frame with two vertically adjustable brackets spaced equally at 180° to be installed prior to closing the ceiling. Ceiling types: Accessible and non-accessible ceilings. Ceiling cutout: 5.5" diameter.

Weight: Max. 10 lbs.

Label: cULus, Damp location. IBEW.

Product code	Light source	Voltage	Finish	Pole type	Options
BAL-C	19W LED 4000K US 19W LED 3000K US 1/18W/CF GX24q-2 1/100W/A-19/UL medium	120-277V 120/277V 120V 277V	WHT WHI	NOT APPLICABLE POST W/BASE PLATE & ANCHOR	NOT APPLICABLE EMPK LUTRON DIMMING

Specification notes

- a. CF variants provided with one 120-277V electronic ballast.
- b. Incandescent variants only available in 120V.
- c. EMPK (emergency power pack) is available in dual tap 120/277V with remote mounted test switch.
- d. LUTRON dimming 120V or 277V is digital dimming.
- e. All LED wattages specified by LED manufacturers.
- f. LED variants provided with a 120-277V dimmable electronic driver

Info notes

- I. The comparable EU version has the following classification: Ingress Protection Code: IP20.
- II. LED technology is rapidly changing. Specifications are based on present technology. For most up to date specifications see www.louispoulsen.com



Scan the code for more information