

# Saturn Wall/ Opal

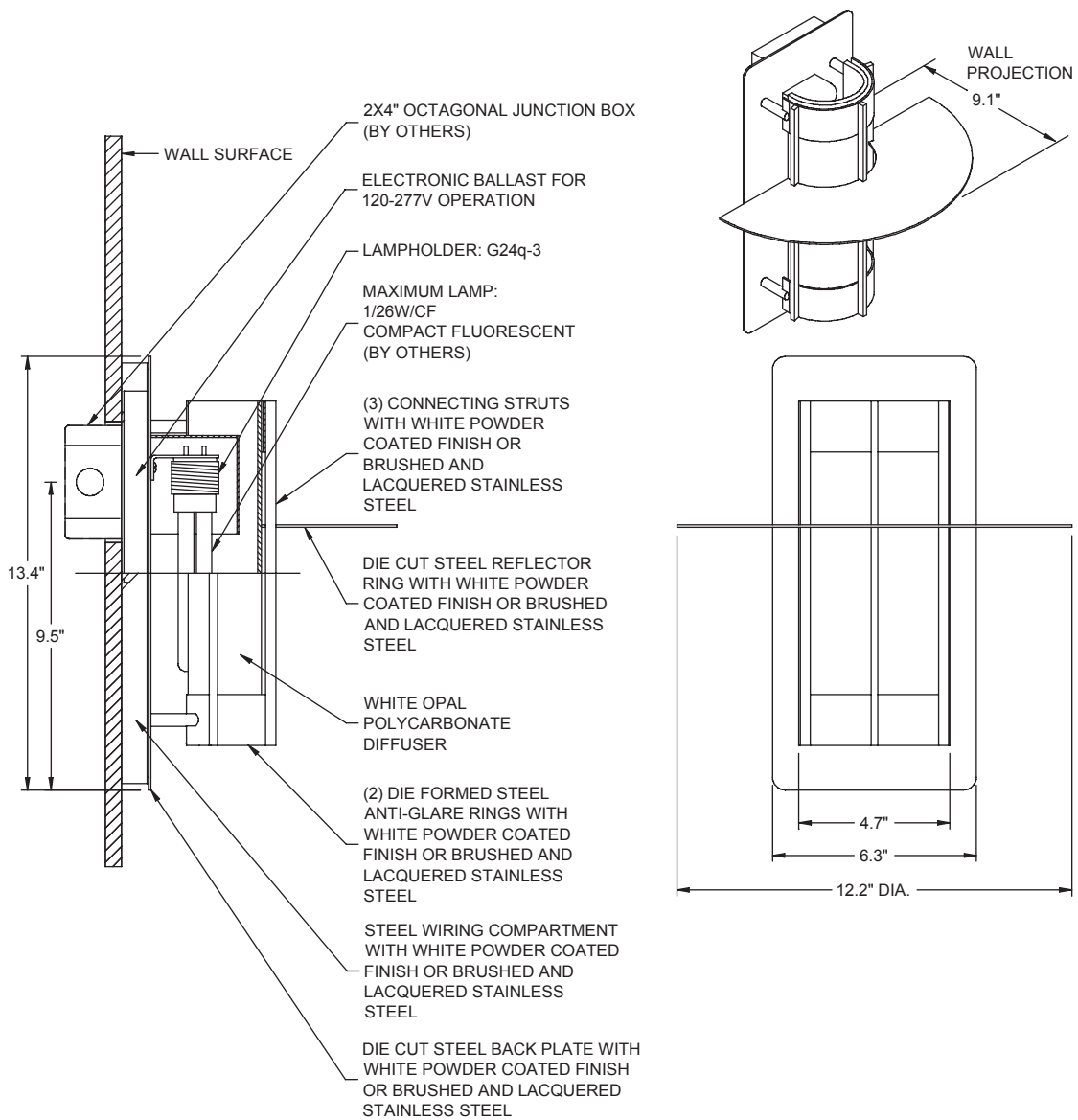
Design: Joachim Lepper

1-26W-CF

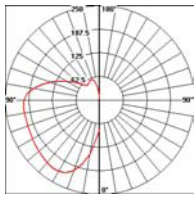
Type:

Project:

Catalog Number:



# Saturn Wall/ Opal



Photometric Report: SAW-1-26W-G24Q-3.IES  
 Report No.: LP1128  
 Poulsen Report No.: SAW-1-26W-G24Q-3.IES  
 Luminaire: Saturn Wall Opal, Compact Fluorescent  
 Lamp: 1/26W/G24q-3  
 Efficiency: 73.9%  
 Description: All data shown are per 1800 lumens. This report can be used for calculation on all versions listed below. Use only actual lumen data when calculating.

Candlepower Distribution

Vertical Angle	Candela
0	79
5	105
15	175
10	143
25	214
40	217
55	207
70	202
85	202
90	201
120	99
150	55

Zonal Lumen Summary

Zone	Lumens	% Lamp	% Fixture
0-30	122	6.8	9.2
0-40	215	11.9	16.2
0-60	439	24.4	63.5
0-90	844	46.9	63.5
90-120	334	18.6	25.1
90-130	391	21.7	29.4
90-150	455	25.3	34.2
90-180	486	27.0	36.5
0-180	1330	73.9	100.0

Weblink: 136

Design: Joachim Lepper

Light Concept: The fixture emits light directed upwards and downwards. The horizontal half ring reflects the light in both directions. The fixture is available in two variants: a two light source version and a one light source version. The two light source variant: The anti-glare rings make the fixture glare-free for passers-by. The one lightsource variant: The opal diffuser emits a soft light for general illumination.

Finish: Stainless steel, brushed and lacquered. White, powder coated.

Material: Anti-glare rings: Die formed stainless steel or die formed steel. Diffuser: Injection molded white opal polycarbonate. Saturn ring: Die cut stainless steel or die cut steel. Back plate: Die cut stainless steel or die cut steel.

Mounting: Surface: Mounted directly to finished surface over a recessed 2" x 4" rectangular junction box by others.

Weight: Max. 7 lbs.

Label: cULus, Damp location, Dry location. IBEW.

Product code	Light source	Voltage	Finish
SAW	1/26W/CF G24q-3 2/13W/CF G24q-1 2/100W/A-19/CL medium	120-277V 120V	BR ST STEEL WHT

Specification notes:

- a. Opal variants available in 1/26W/CF with one 120-277V integral electronic ballast.
- b. 2/13W/CF variants provided with one 120-277V integral electronic ballast.
- c. 2/13W/CF variants provided with two additional opal anti-glare shields.
- d. Incandescent variants only available in 120V.

Info notes:

- I. The comparable EU version has the following classification: Ingress Protection Code: IP20.

