

Planet Wall/orbiter Maxi Wall

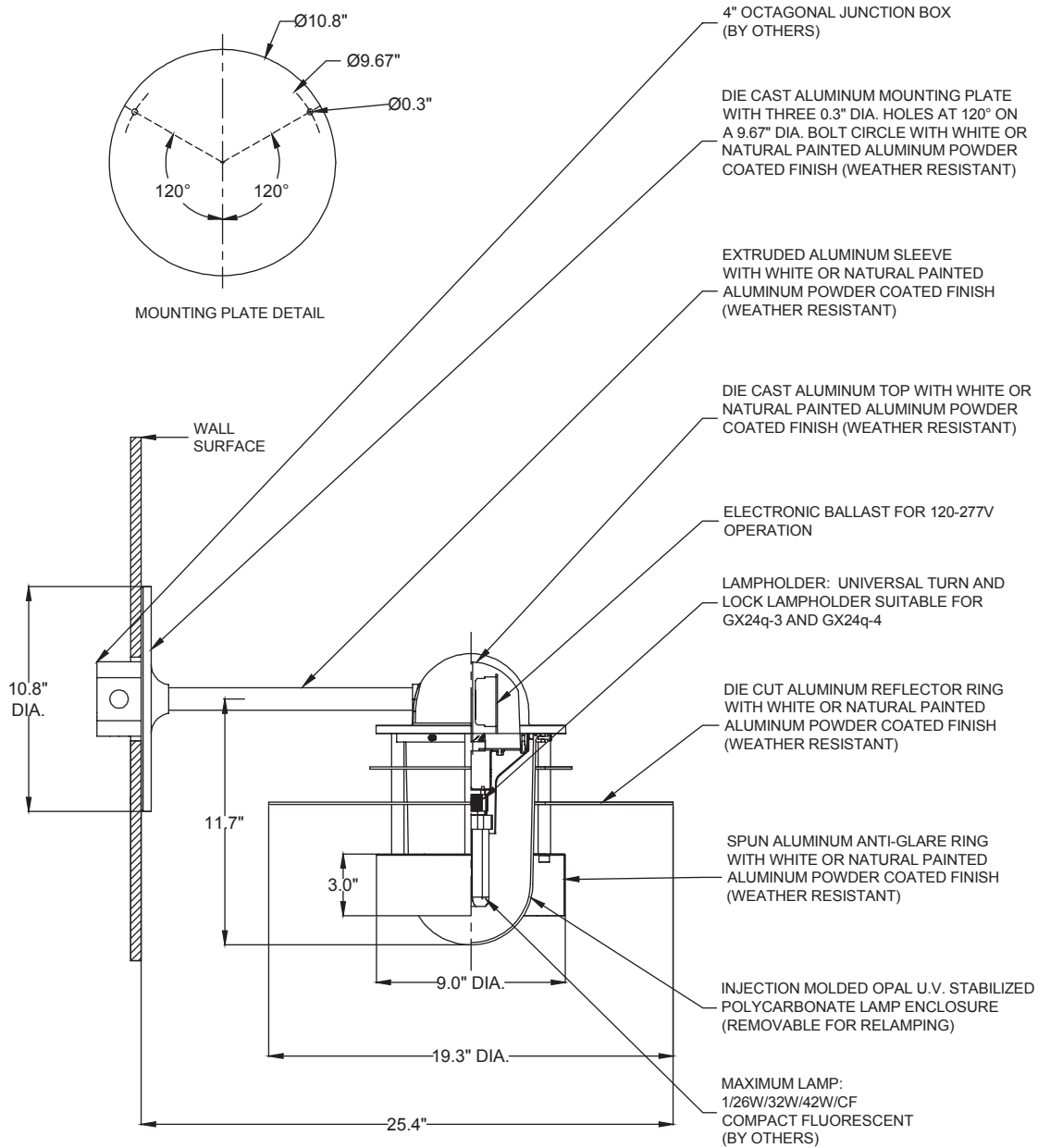
Design: Jens Møller-Jensen

Compact Fluorescent

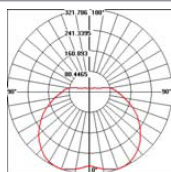
Type:

Project:

Catalog Number:



Planet Wall/orbiter Maxi Wall



Photometric Report: ORW-MAX-1-42W-Gx24q-4.IES
 Report No.: L5049
 Poulsen Report No.: ORW-MAX-1-42W-Gx24q-4.IES
 Luminaire: Orbiter Maxi Wall
 Lamp: 1/42W/Gx24q-4
 Efficiency: 51.2%
 Description: All data shown are per 3200 lumens. This report can be used for calculation on all versions listed below. Use only actual lumen data when calculating.

Vertical Angle	Candela
0	290
5	298
15	316
25	323
35	297
45	278
55	240
65	200
75	155
90	108
120	27
150	14
180	12

Zone	Lumens	% Lamp	% Fixture
0-30	267	8.3	16.3
0-40	459	14.4	28
0-60	889	27.8	54.2
0-90	1385	43.3	84.5
90-120	198	6.2	12.1
90-130	219	6.9	13.4
90-150	243	7.6	14.8
90-180	254	7.9	15.5
0-180	1639	51.2	100.0

Weblink: 162

Design: Jens Møller-Jensen

Light Concept: The fixture provides characteristic symmetrical and functional lighting. The horizontal ring reflects the light downwards, but its position also allows some light to slip past and illuminate the fixture itself. The anti-glare ring prevents from horizontal glare, and the diffuser is available either as clear, opal or partly frosted depending on the desired light source.

Finish: Natural painted aluminum or white, powder coated.

Material: Diffuser: Injection molded clear polycarbonate, injection molded partly frosted polycarbonate or injection molded white opal polycarbonate. Saturn ring: Die cut aluminum. Anti-glare ring: Spun aluminum. Top: Die cast aluminum. Mounting plate: Die cast aluminum. Arm: Extruded aluminum.

Mounting: Surface: Mounted directly to a recessed ballast box (10.7" diameter x 3.6" D) provided or mounted directly to finished surface over a recessed 4" octagonal junction box.

Weight: Max. 24 lbs.

Label: cULus, Wet location. IBEW.

Product code	Light source	Voltage	Finish
PL-W	1/70W/CMH/T-6 G12 1/100W/MH/ED-17 medium 1/26W/32W/42W/CF GX24q-3/4	120/208/240/277V 120-277V	NAT PAINT ALU WHT

Specification notes:

- a. CMH variants provided with a partly frosted diffuser.
- b. CF variants provided with an opal diffuser.
- c. MH variants provided with clear diffuser.
- d. CMH variants provided with a recessed ballast box containing one 120-277V electronic ballast.
- e. CF variants provided with an universal wattage socket and 120-277V integral electronic ballast.
- f. MH variants provided with a recessed ballast box containing one 120/208/240/277V open core and coil ballast.

Info notes:

- I. All diffusers are U.V. stabilized polycarbonate.
- II. The comparable EU version has the following classification: Ingress Protection Code: IP44.

