

Planet Post/orbiter Post

Design: Jens Møller-Jensen

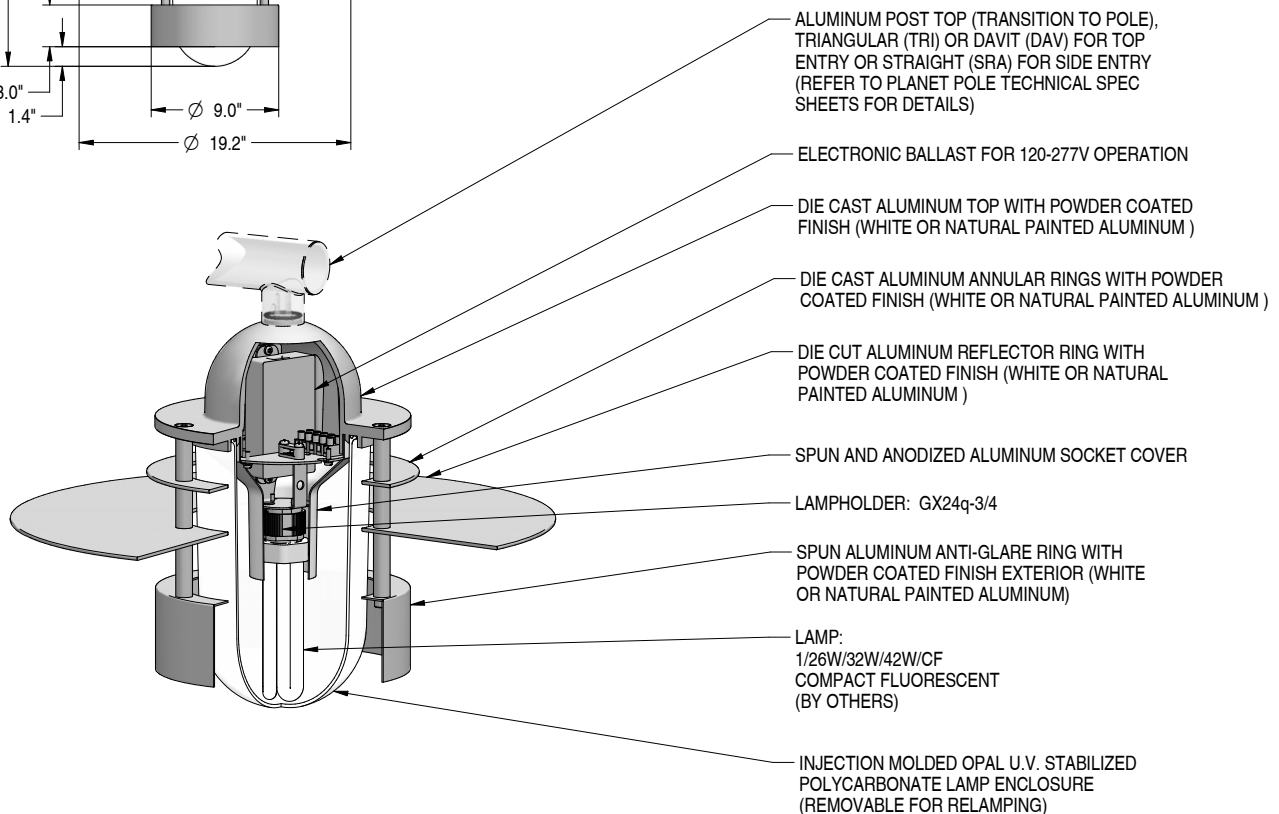
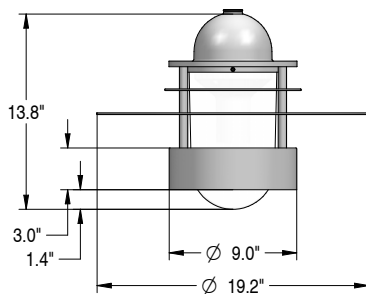
Compact Fluorescent

Type:

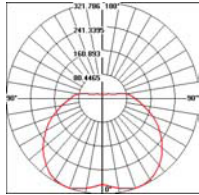
Project:

Catalog Number:

WINDLOADING: EPA = 0.7 Sq. Ft.



Planet Post/Orbiter Post



Photometric Report: ORPT-1-42W-Gx24q-4.IES
 Report No.: L5049
 Poulsen Report No.: ORPT1-42W-Gx24q-4.IES
 Luminaire: Orbiter Post Top, White
 Lamp: 1/42W/Gx24q-4
 Efficiency: 51.2%
 Cutoff Classification: Cutoff
 Description: All data shown are per 3200 lumens. This report can be used for calculation on all versions listed below. Use only actual lumen data when calculating.

Candlepower Distribution

Vertical Angle	Candela
0	290
5	298
15	316
25	323
35	207
45	278
55	240
65	200
75	155
90	108
120	27
150	14
180	12

Zonal Lumen Summary

Zone	Lumens	% Lamp	% Fixture
0-30	267	8.3	16.3
0-40	459	14.4	28
0-60	889	27.8	54.2
0-90	1385	43.3	84.5
90-120	198	6.2	12.1
90-130	219	6.9	13.4
90-150	243	7.6	14.8
90-180	254	7.9	15.5
0-180	1639	51.2	100.0

Design

Jens Møller-Jensen

Concept

The fixture emits symmetrical light directed primarily downwards due to two reflector rings. However, the rings also permit some light to pass upwards, illuminating the fixture. The anti-glare ring prevents from horizontal glare. The diffuser is available either as clear, opal or partly frosted depending on the desired light source to prevent from vertical glare.

Finish

Natural painted aluminum or white, powder coated.

Material

Diffuser: Injection molded clear polycarbonate, injection molded partly frosted polycarbonate or injection molded white opal polycarbonate. Saturn ring: Die cut aluminum. Anti-glare ring: Spun aluminum. Top: Die cast aluminum.

Mounting

Post top: Mounted on triangular (TRI), davit (DAV), or straight (SRA) arm.

Weight

Max. 15 lbs.

Label

cULus, Wet location. IBEW.

Product code	Light source	Voltage	Finish	Transition to pole
PLA-PT	1/70W/CMH/T-6 G12 1/100W/MH/ED-17 medium 1/26W/32W/42W/CF GX24q-3/4	120-277V 120/277V	NAT PAINT ALU WHT	SRA TRI DAV

Specification notes:

- CMH variants provided with a partly frosted diffuser.
- CF variants provided with an opal diffuser.
- MH variants provided with clear diffuser.
- CMH and MH variants provided with one 120/277V F-can style ballast to be mounted in the pole.
- CF variants provided with an universal wattage socket and a 120-277V integral electronic ballast.

Info notes:

- All diffusers are U.V. stabilized polycarbonate.
- For pole selection, refer to the Pole page.
- The comparable EU version has the following classification: Ingress Protection Code: IP44.

