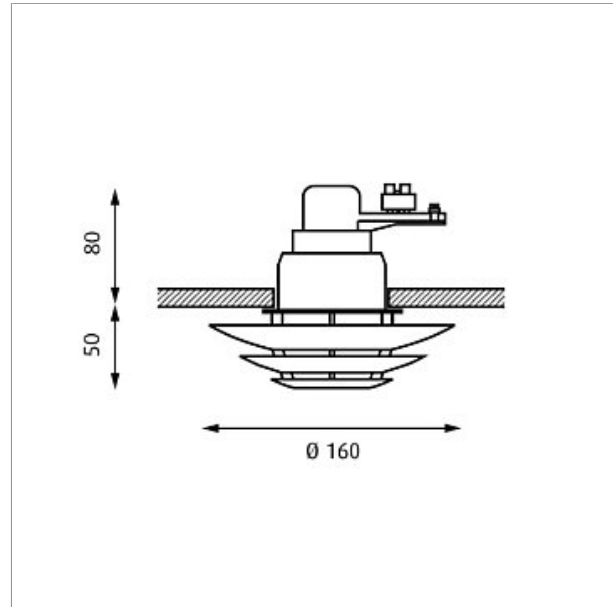


# Oslo Micro Ceiling



Design: Kurt Nørregaard

Concept: The fixture emits a narrow band of light directed downwards. The reflector rings direct a small amount of light towards the ceiling, creating a soft, harmonic transition between the fixture and ceiling. They also reduce the angle of glare, minimizing any annoyance to passers-by.

Finish: White, wet painted.

Material: Shades: Spun steel and aluminium.

Mounting: Ceiling thickness: 5-32mm. Ceiling Cut-Out: Ø 70mm. Terminal block: 1x2x4mm<sup>2</sup>. Looping: Not approved. Ballast: Supplied without transformer. For more information please look at [www.louispoulsen.com](http://www.louispoulsen.com).

Weight: Max. 0.5kg.

Class: Ingress protection IP20. Electric shock protection III low voltage.

Product code	Light source	Finish
OS-MI-C	1x50W QT ax-12 Clear GY6,35	WHT

Info notes  
Supplied with light source. Ballast has to be ordered separately.

**louis  
poulsen**

Scan the code for more information

