

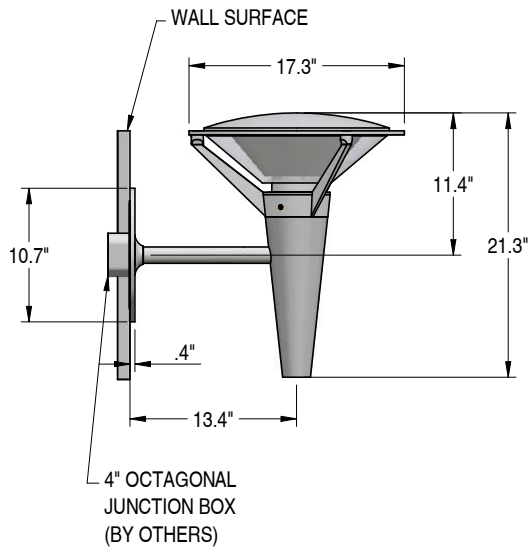
Kipp Wall LED

Design: Alfred Homann

Type:

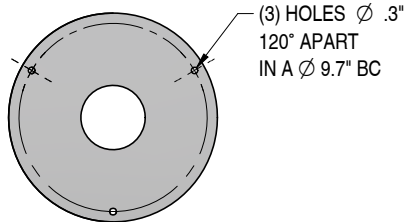
Project:

Catalog Number:

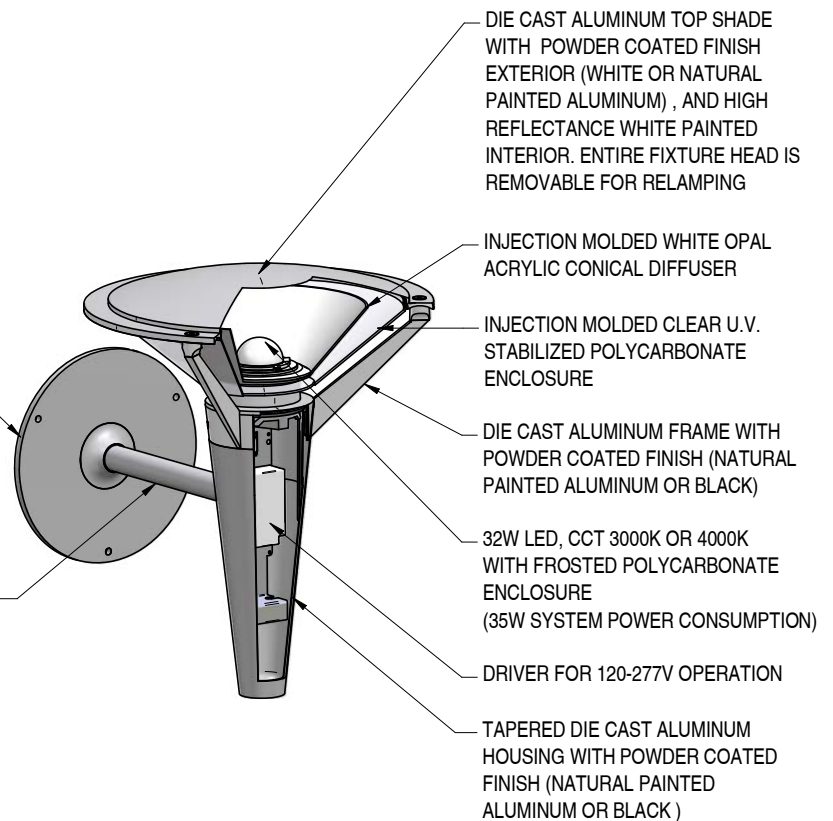


DIE CAST ALUMINUM WALL PLATE WITH POWDER COATED FINISH (NATURAL PAINTED ALUMINUM OR BLACK)

EXTRUDED ALUMINUM ARM WITH POWDER COATED FINISH (NATURAL PAINTED ALUMINUM OR BLACK)



WALL PLATE DETAIL
(MOUNTING HARDWARE BY OTHERS)



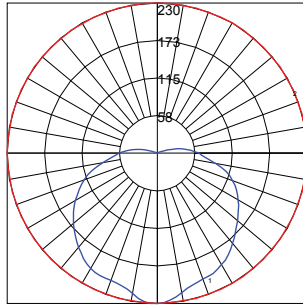
NOTES:
LED TECHNOLOGY IS RAPIDLY CHANGING. LEDs ARE MADE IN LOTS AND SORTED INTO BINS BASED ON WAVELENGTHS RANGES THAT ACHIEVE COLORS. PRODUCTS ORDERED AT DIFFERENT TIMES MAY NOT HAVE THE SAME COLOR APPEARANCE.



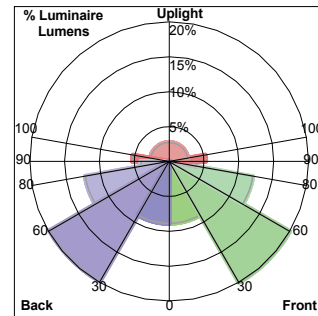
Kipp Wall LED

Photometric Report: KIB-ITL67359.IES
 Report No.: ITL67359.IES
 Poulsen Report No.: KIB-ITL67359
 Luminaire: Kipp BOLLARD
 Lamp: 35W LED

Description: All data shown are per 967 lumens. This report can be used for calculation on all versions listed below. Use only actual lumen data calculating.



Candlepower Distribution	
Vertical Angle	Candela
0	230
5	226
10	217
25	203
40	180
55	152
70	123
85	74
90	64
120	2
150	0
180	0



LUMINAIRE CLASSIFICATION SYSTEM (LCS)			
	Lumens	% Lamp	% Luminaire
FL - Front-Low (0-30)	87.4	N.A.	9.0
FM - Front-Medium (30-60)	197.5	N.A.	20.4
FH - Front-High (60-80)	120.5	N.A.	12.5
FVH - Front-Very High (80-90)	39.2	N.A.	4.0
BL - Back-Low (0-30)	87.6	N.A.	9.1
BM - Back-Medium (30-60)	195.7	N.A.	20.2
BH - Back-High (60-80)	120.9	N.A.	12.5
BVH - Back-Very High (80-90)	39.9	N.A.	4.1
UL - Uplight-Low (90-100)	52.0	N.A.	5.4
UH - Uplight-High (100-180)	26.7	N.A.	2.8
Total	967.4	N.A.	100.0
BUG Rating	B1-U2-G1		

Weblink: 2703

Design: Alfred Homann

Light Concept: The fixture emits symmetrical light directed downward. The relation between the slightly curved top shade and the angle of the inner opal diffuser ensures a wide non glare light distribution.

Finish: Black or natural painted aluminum, powder coated.

Material: Diffuser: Injection molded white opal acrylic. Top shade: Die cast aluminum. Enclosure: Injection molded clear polycarbonate. Frame: Die cast aluminum. Mounting plate: Die cast aluminum. Arm: Extruded aluminum.

Mounting: Surface: Mounted directly to finished surface over a recessed 4" octagonal junction box.

Weight: Max. 17 lbs.

Label: cULus, Wet location. IBEW.

Product code	Light source	Voltage	Finish
KIW	35W LED/3000K 35W LED/4000K	120-277V	BLK NAT PAINT ALU

Specification notes:

- a. LED variants provided with a 120-277V electronic driver.
- b. All LED wattages are system power.

Info notes:

- I. The comparable EU version has the following classification: Ingress Protection Code: IP55.
- II. LED technology is rapidly changing. Specifications are based on present technology. For most up to date specifications see www.louispoulsen.com.

