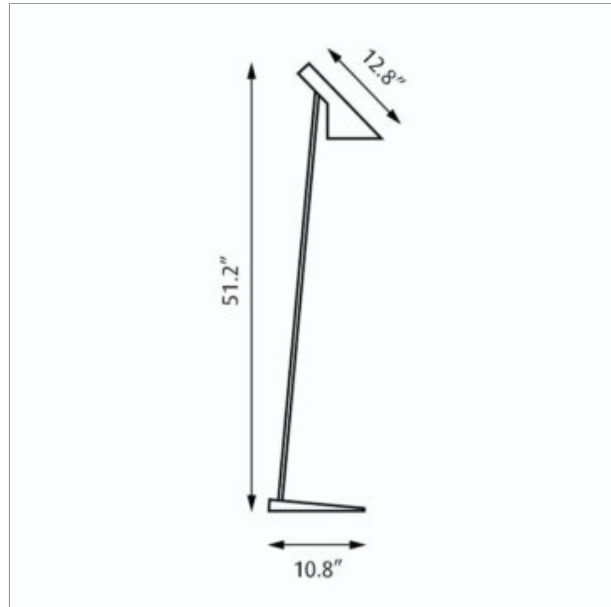


# AJ Floor



Design: Arne Jacobsen

Concept: The fixture emits downward directed light. The angle of the shade can be adjusted to optimize light distribution. The shade is painted white on the inside to ensure a soft comfortable light.

Finish: Blue/Green, petroleum, red, sand or yellow/green, black, graphite grey or white, wet painted.

Material: Base: Die cast zinc. Shade: Spun steel. Stem: Steel.

Mounting: Cord type: Black except for white version: white. Cord length: 9'. Switch: In-line on/off foot switch provided.

Weight: Max. 8 lbs.

Label: cULus, Dry location. IBEW.

| Product code | Light source         | Voltage | Finish   |
|--------------|----------------------|---------|--|
| AJ-F         | 1/60W/A-19/IF medium | 120V    | BLK<br>BLUE/GREEN<br>GRP GREY<br>PETROLEUM<br>RED<br>SAND<br>WHI<br>YELLOW/GREEN |

Info notes

I. The comparable EU version has the following classification: Ingress Protection Code: IP20.

**louis  
poulsen**

Scan the code for more information

