

AH Wall Min/Max

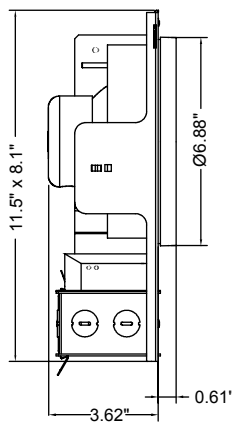
I-MAX-Halogen

Design: Alfred Homann

Type:

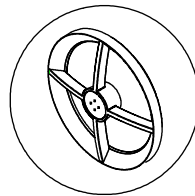
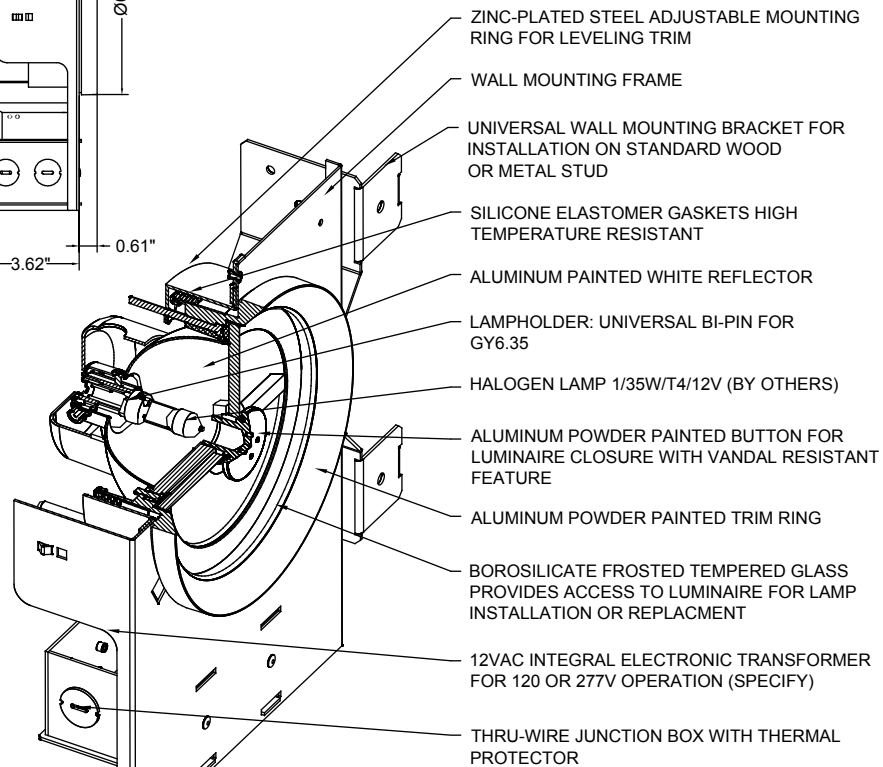
Project:

Catalog Number:

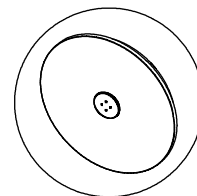


NOTES:

1. INSTALLATION IS SUBJECT TO LOCAL CODES AND JURISDICTION.



CROSS GUARD

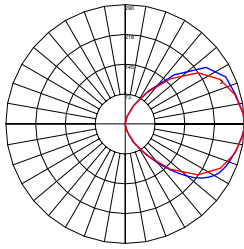


LARGE GLASS Ø7.8"

- I. THE LARGE GLASS IS ONLY AVAILABLE AS FROSTED GLASS.
- II. THE LARGE GLASS CAN ONLY BE USED FOR INDOOR APPLICATIONS AND IT IS INCOMPATIBLE WITH THE CROSS GUARD.



AH Wall Min/Max



Photometric Report: AHW/MAX/1/20W/CMH/T4.IES
 Report No.: ITL60057
 Poulsen Report No.: AHW/MAX/1/20W/CMH/T4
 Luminaire: AHW/MAX/1/20W/CMH/T4
 Lamp: 20W/CMH/T4
 Efficiency: 40.7%
 Description: All data shown are per 1600 lumens. This report can be used for calculation on all versions Use only actual lumen data when calculating.

Candlepower Distribution

Vertical Angle	Candela
0	54
5	70
10	86
25	131
40	141
55	121
70	119
85	111
90	109
120	157
150	107
180	30

Zonal Lumen Summary

Zone	Lumens	% Lamp	% Fixture
0-30	6.73	0.40	1.00
0-40	20.97	1.30	3.20
0-60	98.40	6.20	15.10
0-90	322.99	20.20	49.60
90-120	193.55	12.10	29.70
90-130	252.34	15.80	38.80
90-150	314.70	19.70	48.40
90-180	327.76	20.50	50.40
0-180	650.74	40.70	100.00

Weblink: 210

Design: Alfred Homann

Light Concept: The fixture emits symmetrical lighting. The center button shields the light source and minimizes glare. The design creates gradual light levels around the fixture.

Finish: Anodized grey, powder coated.

Material: Button and bridge: Die cast aluminum. Glass: Tempered frosted glass. Trim ring: Die cast aluminum. Housing: Die cast anti-corrosion treated aluminum. Gasket: Silicone.

Mounting: Installation: Suitable for semi-recessed mounting in exterior walls or suitable for semi-recessed mounting in interior walls.

Weight: Max. 5 lbs.

Label: cULus, Damp location, Wet location. IBEW.

Product code	Dimension	Light source	Voltage	Finish	Mounting	Options
AHW	MIN MAXI	1/20W/CMH/T4.5 G8.5 1/20W/Halogen/T3-T4 GY 6.35 1/35W/Halogen/T-4.5 GY 6.35	120-277V 120/12V 277/12V	ANOD GREY	INDOOR OUTDOOR	CROSS GUARD LARGE GLASS

Specification notes:

- a. Halogen variants provided with one 120/12V or 277/12V electronic transformer.
- b. CMH variants provided with one 120-277V integral electronic ballast.
- c. Mini variants only available in 1/20W/Halogen.
- d. Maxi variants only available in 1/35W/Halogen or 1/20W/CMH.
- e. The large glass can only be used for indoor applications and it is incompatible with the cross guard.

Info notes:

- I. Through branch wiring is possible.
- II. The comparable EU version has the following classification: Ingress Protection Code: IP66.

