

# FEATURES

## OPTICAL SYSTEM

- Self-flanged, semi-specular, matte-diffuse or specular lower reflector utilized in combination with a highly transmissive lens. LEDs are completely concealed providing superior aesthetic appeal.
- LEDs in a proprietary mixing chamber provide consistent performance balancing glare, uniformity and efficiency.
- Patented Bounding Ray™ Optical Principle design (U.S. Patent No. 5,800,050) provides 45° cut-off to source and source image for a smooth transition from top of the reflector to bottom.

## MECHANICAL SYSTEM

- Housing accommodates a maximum 7/8" ceiling thickness. See CTA Accessory note below.
- Light engine and driver are accessible from above or below ceiling.
- 16-gauge galvanized steel mounting bars with continuous 4" vertical adjustment are shipped pre-installed. Post installation adjustment possible without the use of tools from above or below ceiling.
- Galvanized steel junction box with hinged access covers and spring latch. Three combination 1/2"-3/4" and one 1/2" knockout for straight-through conduit runs. Capacity: 8 (4in, 4out) No. 12 AWG conductors rated for 90°C.

## ELECTRICAL SYSTEM

- Solid state LED light engine available in 3000 K, 3500 K or 4100 K color temperatures.
- Class P, thermally protected solid-state 0-10V dimming driver.
- Rated system life of 50,000 hours at 70% output.
- Emergency battery pack with remote test switch available.

## LISTING

- Fixtures are CSA certified and are listed and labeled to comply with US and Canadian standards. Wet location listed.

## WARRANTY

- 5-year limited warranty. Complete warranty terms located at [www.acuitybrands.com/CustomerResources/Terms\\_and\\_conditions.aspx](http://www.acuitybrands.com/CustomerResources/Terms_and_conditions.aspx).

Type Catalog number

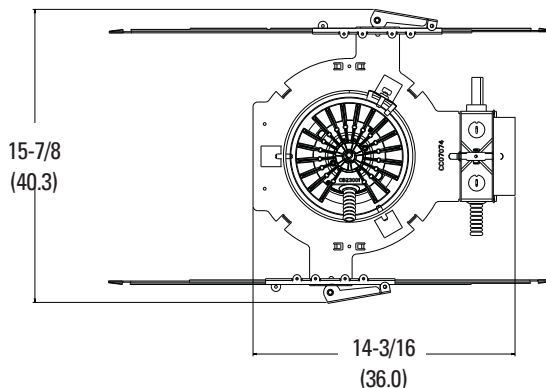
.....  
 .....



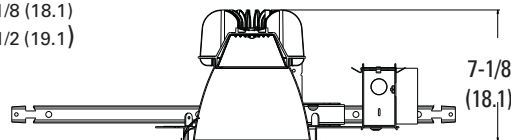
LED Downlights

# 6" ALED

## Open Reflector



Aperture: 6-1/4 (15.9)  
 Ceiling Opening: 7-1/8 (18.1)  
 Overlap Trim: 7-1/2 (19.1)



All dimensions are inches (centimeters).

# ORDERING INFORMATION

Choose the boldface catalog nomenclature that best suits your needs and write it on the appropriate line. Order accessories as separate catalog numbers (shipped separately).

Example: **ALED 35/10 6AR 120**

## ALED

Series	Color temperature	Nominal lumen values	Aperture	Trim color	Finish	Voltage	Driver	Options
<b>ALED</b>	<b>30/</b> 3000 K <b>35/</b> 3500 K <b>41/</b> 4100 K	<b>10</b> 1000 lumens <b>14</b> 1400 lumens <b>18</b> 1800 lumens	<b>6</b>	<b>AR</b> Clear <b>PR</b> Pewter <b>WTR</b> Wheat <b>GR</b> Gold <b>WR'</b> White	(blank) Semi-specular <b>LD</b> Matte-diffuse <b>LS</b> Specular	<b>120</b> <b>277</b> <b>347</b>	(blank) 0-10V dimming driver	<b>SF</b> Single fuse <b>LRC</b> Lithonia Reloc system <b>NSD<sup>2</sup></b> Sensorswitch nLight™ dimming relay <b>TRW<sup>3</sup></b> White painted flange <b>TRBL</b> Black painted flange <b>ELR</b> Emergency battery pack with remote test switch <b>CP</b> Chicago plenum

## Accessories

Order as separate catalog number.

- SCA6** Sloped ceiling adapter. Degree of slope must be specified (10D, 15D, 20D, 25D, 30D). Ex: SCA610D
- CTA6 YKLED** Ceiling thickness adapter (extends mounting frame to accommodate ceiling thickness up to 2").
- GVRT** Vandal-resistant trim accessory. Refer to [TECH-200](#).
- ISD BC** 0-10V wallbox dimmer. Refer to [ISD-BC](#).

## NOTES

- 1 Not available with finishes.
- 2 One 5A relay with one 0-10 VDC dimming output, shipped installed. Requires additional nLight bus power supply.
- 3 Not available with white reflector.

# 6" ALED Open Reflector

Distribution Curve

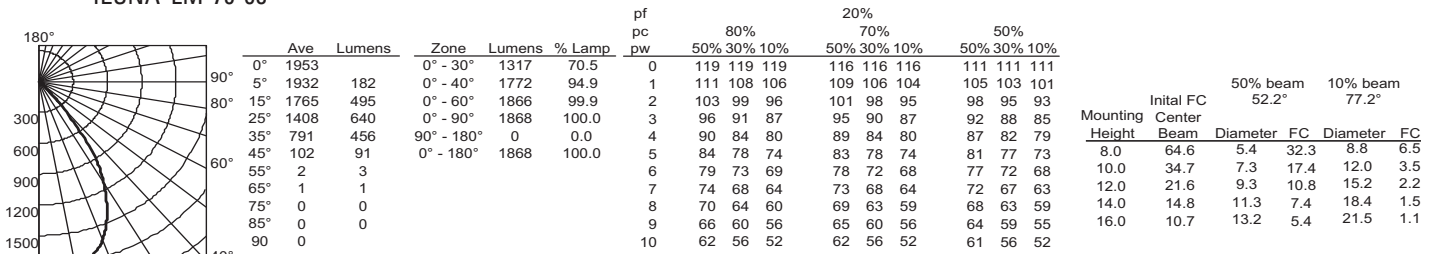
Distribution Data

Output Data

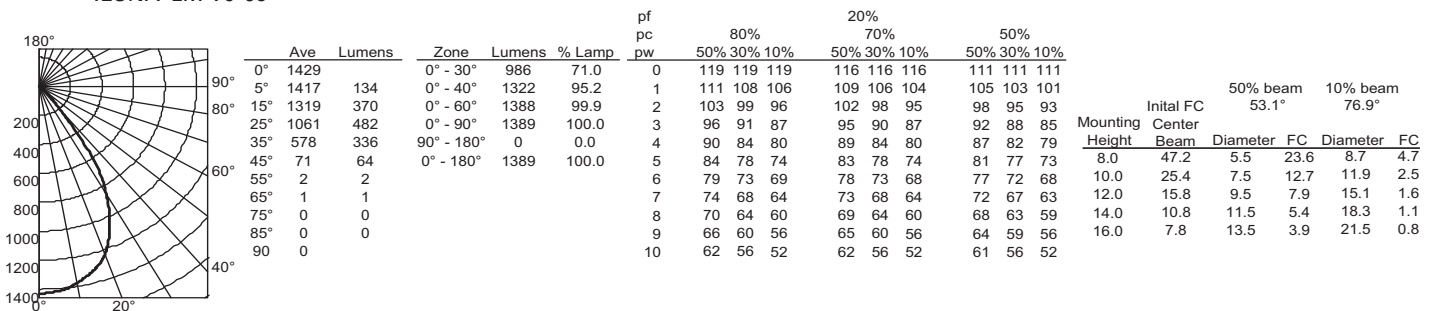
Coefficient of Utilization

Illuminance Data at 30"  
Above Floor for a Single Luminaire

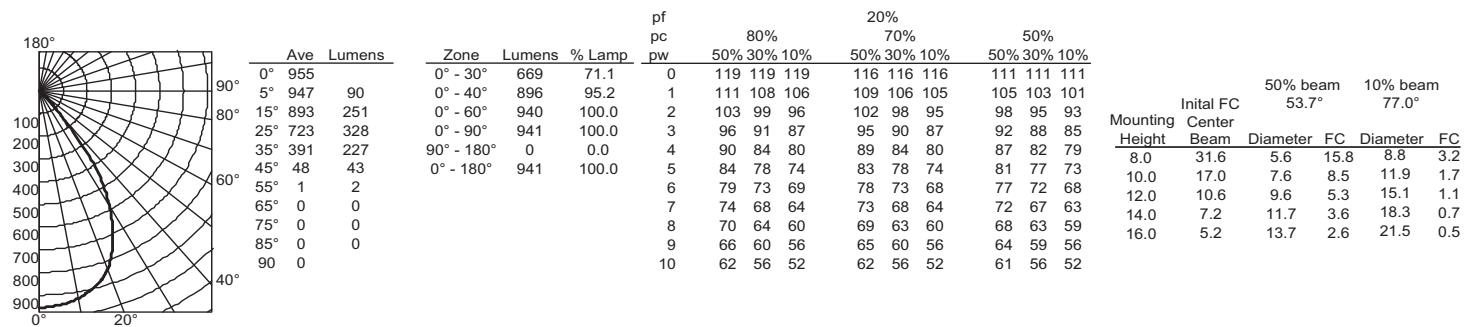
**ALED 35/18 6AR LS, 38W LED, 1867 delivered lumens, 1.0 s/mh, Input watts: 37.6, Test no. LTL19044, tested in accordance with IESNA LM-79-08**



**ALED 35/14 6AR LS, 30W LED, 1389 delivered lumens, 1.0 s/mh, Input watts: 30.4, Test no. LTL19045, tested in accordance with IESNA LM-79-08**



**ALED 35/10 6AR LS, 22W LED, 941 delivered lumens, 1.0 s/mh, Input watts: 22.3, Test no. LTL19043, tested in accordance with IESNA LM-79-08**



For expanded options and updated photometric information, please visit [www.gothamlighting.com](http://www.gothamlighting.com) or contact the factory directly.

**NOTES:**

1. For electrical characteristics, refer to Technical Bulletins tab.
2. Tested to current IES and NEMA standards under stabilized laboratory conditions. Various operating factors can cause differences between laboratory data and actual field measurements. Actual performance may differ as a result of end-user environment and application. Dimensions and specifications are based on the most current available data and are subject to change without notice.
3. Consult factory or IES file for microgroove baffle, black cone and other photometric reports.

**DLED-510**

©2010-2012 Acuity Brands Lighting, Inc.  
All Rights Reserved. Rev. 02/12  
Specifications subject to change without notice.



GOTHAM ARCHITECTURAL DOWNLIGHTING  
1400 Lester Road Conyers Georgia 30012  
P 800 315 4982 F 770 860 3129  
[www.gothamlighting.com](http://www.gothamlighting.com)