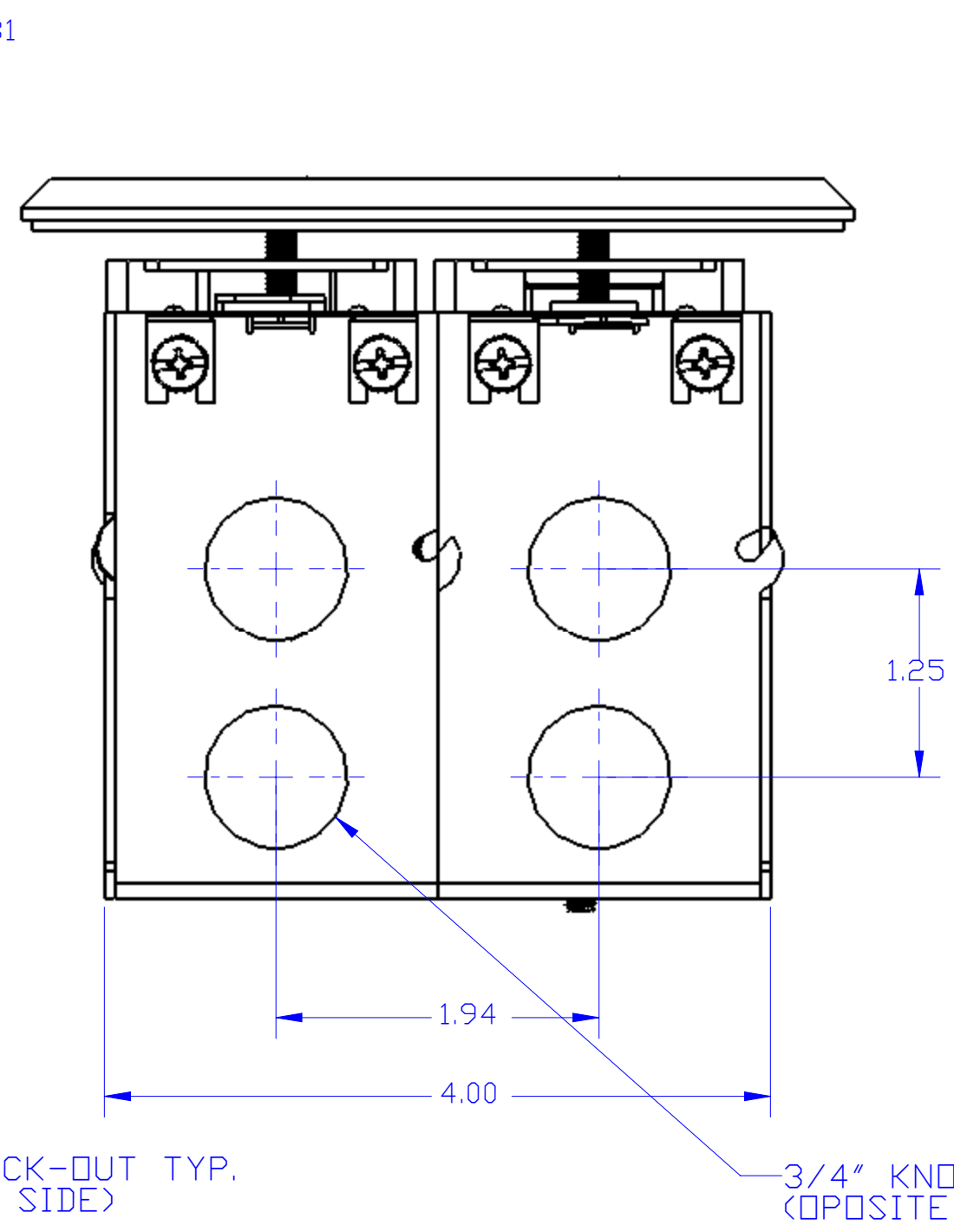
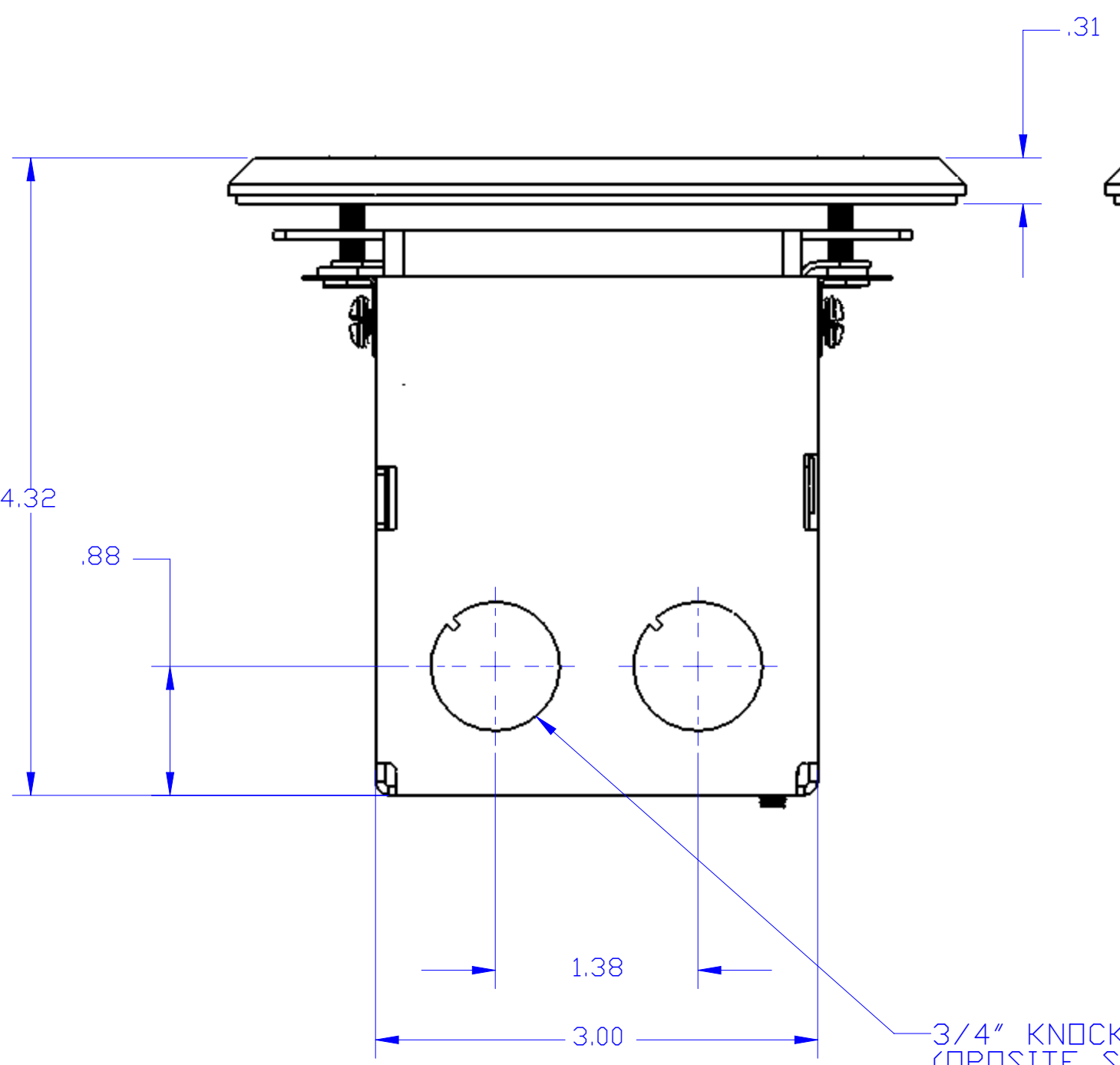
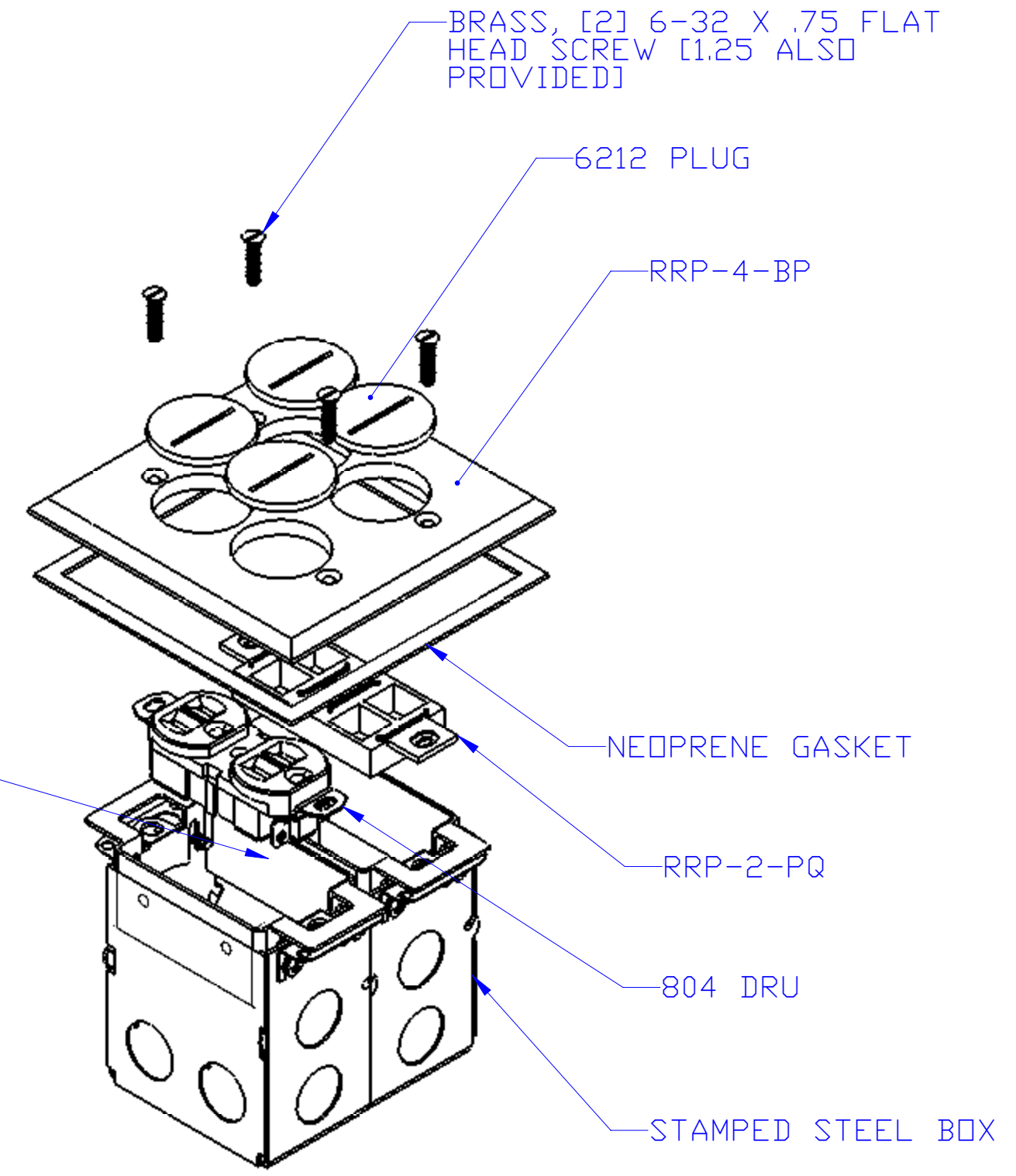
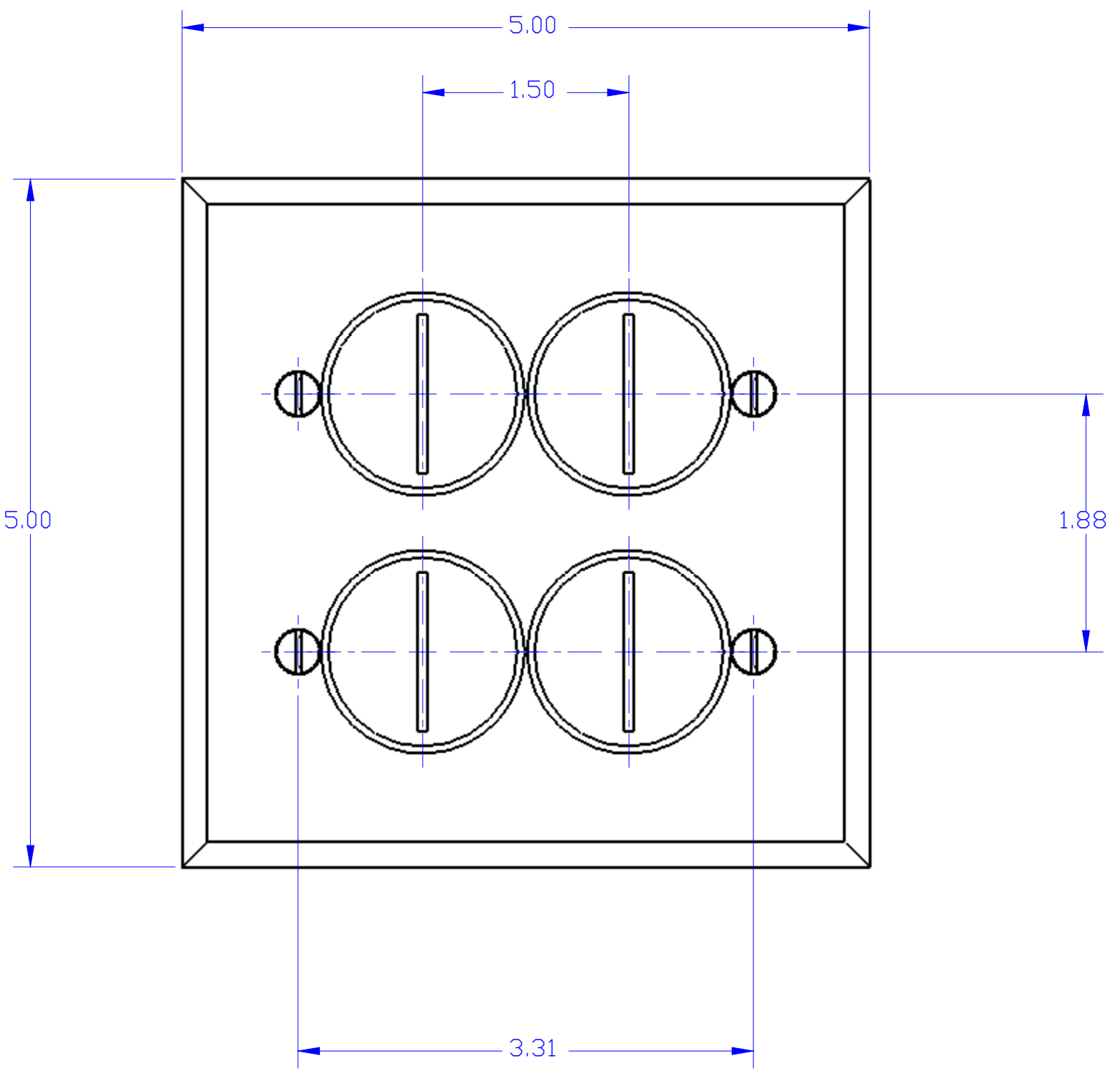
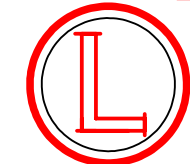


DESCRIPTION:  
 TWO GANG, DIVIDED, RECESSED, FLOOR PLATE  
 ASSEMBLY: 1 POWER & 1 QUAD PORT





**LEW ELECTRIC  
 FITTINGS COMPANY**  
 SERVING THE ELECTRICAL INDUSTRY SINCE 1901  
 1801 W. St. Charles Rd. Maywood, IL 60153  
 PHONE: 708-345-2075

|                                      |  |           |                  |                               |
|--------------------------------------|--|-----------|------------------|-------------------------------|
| UNLESS OTHERWISE SPECIFIED:          |  | NAME      | DATE             | TITLE:<br><b>SWB-4-PQ</b>     |
| DIMENSIONS ARE IN INCHES             |  | DRAWN     | P.J.G. 2/10/2008 |                               |
| TOLERANCES:                          |  |           |                  | SIZE DWG. NO. REV<br><b>C</b> |
| FRACTIONAL ±                         |  |           |                  |                               |
| ANGULAR: MACH ± BEND ±               |  |           |                  |                               |
| TWO PLACE DECIMAL ±                  |  |           |                  | WEIGHT: SHEET 1 OF 16         |
| THREE PLACE DECIMAL ±                |  |           |                  |                               |
| INTERPRET GEOMETRIC TOLERANCING PER: |  | COMMENTS: |                  |                               |
| MATERIAL:                            |  |           |                  |                               |
| FINISH:                              |  |           |                  |                               |
| DO NOT SCALE DRAWING                 |  |           |                  |                               |