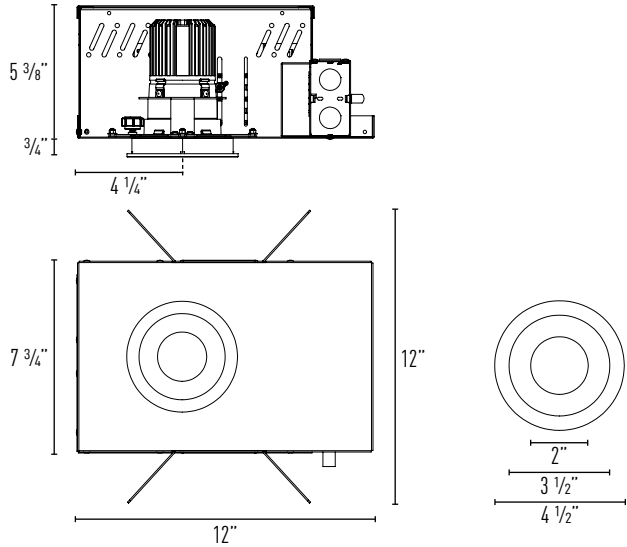


MX MXDRTR / MXT-RTRD300

MX LED Downlight



Ceiling Cut Out: 4 1/8"

Catalog Number	System Wattage ¹	CCT / CRI ²	Delivered Lumens ¹	Lumens Per Watt
MXT-RTRD300BL030	10W	3000K / 82 CRI	800lm	80
MXT-RTRD300BL130	15W	3000K / 82 CRI	1200lm	80

¹ System Wattage include driver and LED Module consumption.

² CCT / CRI Multipliers

2700K / 82 CRI (x0.92), 2700K / 92 CRI (x0.74), 3000K / 82 CRI (x1.0), 3000K / 92 CRI (x0.8), 3500K / 82 CRI (x1.07), 4100K / 82 CRI (x1.08), Crisp White 3000K (x0.85), Class A 3500K (x0.96)

LED LIGHT ENGINE

- 2700K, 3000K, 3500K and 4100K / 82 CRI
- Class A - 3500K, combined GAI and CRI metric
- Crisp White - 3000K, vibrant whites and naturally saturated, warm colors
- 2700K and 3000K / 92 CRI (R9 Value = 59)
- 2 Step MacAdam (2 SDMC)
- LED mounted to die-cast / extruded aluminum heat sink
- 50,000 hours average rated life at 70% output

ELECTRICAL SYSTEM

- Power factor >.9, 50/60Hz
- Multiple dimming drivers available
- This product complies with IEEE C62.41 for surge endurance up to 2.5KV. Additional surge protection recommended. Damage from power surge is not covered by warranty.

HOUSING

Heavy duty black powder coated 18 gauge steel frame. Standard plaster frame accommodates 5/8" ceiling thickness, consult factory for thicker ceilings.

TRIM SPECIFICATION

High quality trims are die-cast using A380 aluminum and finished with durable powder coat available in black or white. Architectural, discrete polished self flange or painted white flange options available.

INSTALLATION

Housing types include IC Air-Tight, CCEA (Chicago Plenum), or Non-IC Rated (must specify). Non-IC rated housings must be kept at a minimum of 3" away from insulation. Butterfly brackets and adjustable hanger bars (14"-25") with integral nail included. Butterfly brackets are compatible with C-channel, flat bar hanger and EMT. C-channel is recommended for T-bar ceilings. Bar hangers must be ordered separately. Max. ambient temperature: 131°F (55°C).

EMERGENCY BACKUP

Remote test switch included. Emergency driver operates LED load of up to 7.0 Watts at a nominal 450 lumens for a minimum of 90 minutes.

LISTING / WARRANTY

- 10 Year Intense LED Limited Warranty
- ETL listed to US and Canadian standards for damp locations
- (-AIC Only) Air Tight Certified ASTM E283
- (-AIC Only) ETL listed for direct contact w/ insulation
- (-CP Only) CCEA Chicago Plenum

JOB NAME		CATALOG NUMBER	
NOTES		TYPE	



Trim Specification:

Example: MXT-RTRD300W-SFL13012

SERIES	Round Reflector	MXT-RTRD300
REFLECTOR FINISH	Black / Self Flanged	B-SF ¹
	Black / Self Flanged White	B-SFW ¹
	White / Self Flanged	W-SF ¹
WATTAGE	10 Watts	L0
	15 Watts	L1
CCT / CRI	2700K / 82 CRI	27
	2700K / 92 CRI	279
	3000K / 82 CRI	30
	3000K / 92 CRI	309
	3500K / 82 CRI	35
	4100K / 82 CRI	41
	Class A 3500K	CA35
	Crisp White 3000K	CW30
OPTIC	12° Spot	12
	24° Narrow Flood	24
	36° Flood	36
	50° Wide Flood	50

Accessories:

Luminaire will accommodate a maximum of (2) accessories, accessory holder required

ACCESSORY HOLDER	Accessory Holder, Black	LH47
	Accessory Holder, White	LH47W
FILTER MEDIA	Prismatic Spread Lens	PFL1-47
	Linear Spread Lens	PFL2-47
	Solite Soft Focus	PFL4-47
	Black Hex Louver	PFLMB-47

Housing Specification:

Example: MXDRTR-ICL1

SERIES	Non-IC LED	MXDRTR-NC
	Air Tight IC LED	MXDRTR-IC
	CCEA LED	MXDRTR-CP
WATTAGE	10 Watts	L0
	15 Watts	L1
DIMMING	Non-Dimming	blank
	ELV Dimming	DELV ²
	0-10V Dimming 10%	D10
	eldoLED 0-10V 1%	ED10V1
	eldoLED 0-10V 0.1%	ED10V01
	Lutron Hi-Lume® 1%	LUT1
	Lutron EcoSystem® 1%	LUT
	eldoLED DALI 1%	EDALI1
	eldoLED DALI 0.1%	EDALI01
VOLTAGE	120V	blank
	277V	27
ACCESSORIES	Emergency Backup	-EM ³
	C-Channel Bar Hangers	-I100
	Flat Bar Hangers	-I200
	Wood Joist Bar Hangers	-I400

Notes:

1. Special order finishes available, consult factory
2. Available in 120V only
3. Access above ceiling required



JOB NAME		CATALOG NUMBER	
NOTES		TYPE	

MXDRTRLO / MXT-RTRD300BLO

Report #: L041500701 (12)
L051500703 (24)
L051500705 (36)

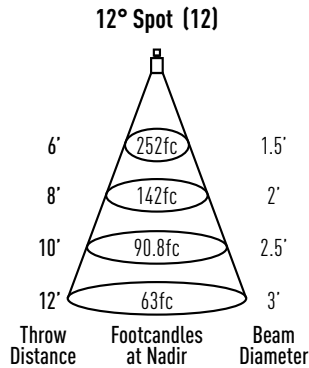
CCT / CRI Multipliers:

2700K / 82 CRI (x 0.92)
2700K / 92 CRI (x 0.74)
3000K / 82 CRI (x 1.00)
3000K / 92 CRI (x 0.8)
3500K / 82 CRI (x 1.07)
4100K / 82 CRI (x 1.08)

Crisp White 3000K / 90 CRI (x0.85)*

Class A 3500K / 90 CRI (x0.96)*

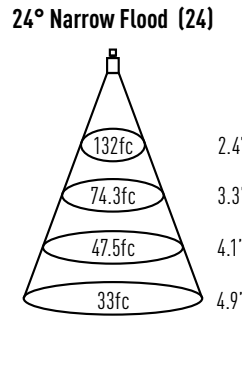
* Lumens only, see IES file for candelas



Watts: 10.7
Lumens: 770
LPW: 72
CCT: 3000K

Candelas at Nadir

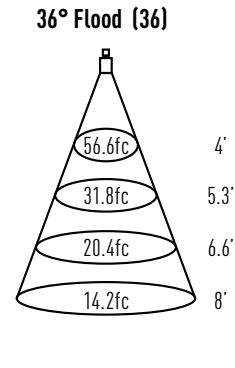
Degree	CBCP
0°	9077
5°	6399
15°	588
25°	104
35°	36
45°	7



Watts: 10.7
Lumens: 866
LPW: 81
CCT: 3000K

Candelas at Nadir

Degree	CBCP
0°	4755
5°	4251
15°	1352
25°	172
35°	23
45°	5



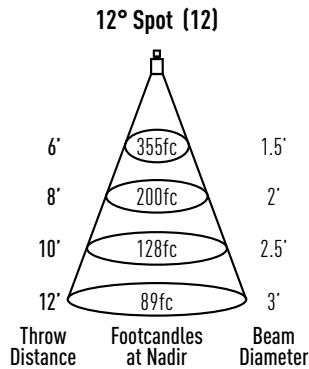
Watts: 10.7
Lumens: 868
LPW: 82
CCT: 3000K

Candelas at Nadir

Degree	CBCP
0°	2038
5°	1976
15°	1354
25°	479
35°	110
45°	13

MXDRTRL1 / MXT-RTRD300BL1

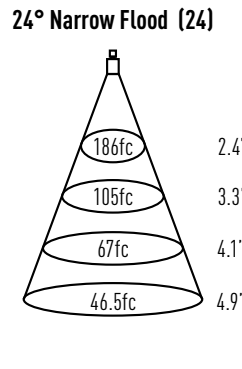
Report #: L041500701 (12)
L051500703 (24)
L051500705 (36)



Watts: 15.1
Lumens: 1085
LPW: 72
CCT: 3000K

Candelas at Nadir

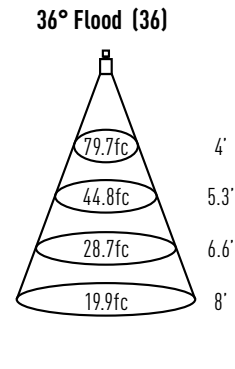
Degree	CBCP
0°	12785
5°	9012
15°	828
25°	147
35°	51
45°	10



Watts: 15.1
Lumens: 1220
LPW: 81
CCT: 3000K

Candelas at Nadir

Degree	CBCP
0°	6697
5°	5988
15°	1904
25°	242
35°	32
45°	7



Watts: 15.2
Lumens: 1223
LPW: 81
CCT: 3000K

Candelas at Nadir

Degree	CBCP
0°	2870
5°	2783
15°	1907
25°	675
35°	155
45°	19

DIMMING COMPATIBILITY

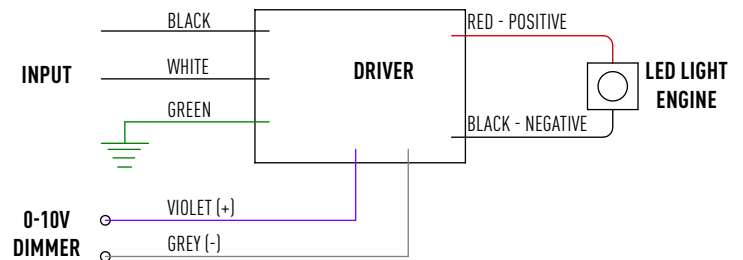
JOB NAME		CATALOG NUMBER	
NOTES		TYPE	

0-10V DIMMING (10% Dimming, eldoLED 1%, eldoLED 0.1%)

- 120V/277V
- Dims down to 10% light output
- Consult dimming manufacturer for installation instructions and power packs

COMPATIBLE DIMMERS

Manufacturer	Part Number(s)
HUNT	PS-010-IV-120V, PS-010-WH-120V, PS-010-3W-IV-120, PS-010-3W-WH-120V, PS-010-IV-277V, PS-010-WH-277V, PS-010-3W-IV-277V, PS-010-3W-WH-277V, FD-010: PS-IFC-010-IV, PS-IFC-010-WH-120/277V, FD-010: PS-IFC-010-3W-IV, PS-IFC-010-3W-WH-120/277V, FD-010-120V, FD-010-277V
Leviton	Leviton Centura Fluorescent Control System, IllumaTech™ IP7 Series, DPSPE-212
Lightolier	ZP600FAM120, MP1500FAM120, V2000FAMU
Lithonia	LEQ BC, LEQ LVBC, SLD LVBC, SQ1DC
Lutron	DVTV, NTFTV
Synergy	ISD BC 120/277

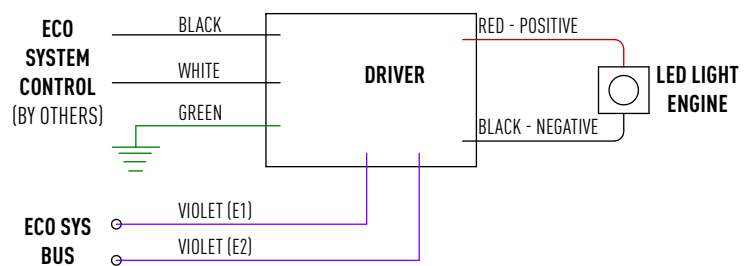


LUTRON ECOSYSTEM® DIMMING

- 120V or 277V
- Dims down to less than 1% or 5% light output
- Consult dimming manufacturer for installation instructions

COMPATIBLE DIMMERS

Product	Part Number(s)
EcoSystem	CS-1L-WM, CS-2L-WM, CS-1L-CM, CS-2L-CM, EcoSystem ESN, Grafik Eye QS with EcoSystem, Quantum



LUTRON HI-LUME® DIMMING

- 120V or 277V
- Dims down to less than 1% light output
- Consult dimming manufacturer for installation instructions

COMPATIBLE DIMMERS

Product	Part Number(s)
NovaT	NTF-10, NTF-103P, NTF-103P-277, NTF-10-277
Nova	NF-10, NF-103P, NF-103P-277, NF-10-277
Vareo	VF-10
Skylark	SF-10P, SF-12P-277, SF-12P-277-3, SF-103P
Diva	DVF-103, DVF-103P-277, DVSCF-103P, DVSCF-103P-277
Ariadni	AYF-103P, AYF-103P-277
Vierti	VTF-6AM
Maestro	MAF-6AM, MAF-6AM-277, MSCF-6AM, MCSF-6AM-277
Maestro Wireless	MRF2-F6AN-DV
Spacer System	SPSF-6A, SPSF-6A-277, SPSF-6AM, SPSF-6AM-277
Lyneo	LXF-103PL, LXF-103PL-277
Radio RA 2	RRD-F6AN-DV
HomeWorks QS	HQRD-F6AN-DV

