

Gotham Architectural Downlighting  
Vandal Resistant LED Downlights

**6" Evo®**  
**Lightshield™**

Solid-State Lighting

FEATURES

**OPTICAL SYSTEM**

- Self-flanged semi-specular, matte-diffuse or specular finishing trim
- Patented Bounding Ray™ optical design (U.S. Patent No. 5,800,050)
- Marine-grade die-cast aluminum bezel, low copper alloy (<1% copper)
- Stainless steel Torx® T20 tamper-resistant screws
- One-piece closed-cell silicone gaskets
- Polycarbonate lens integral to light engine

**MECHANICAL SYSTEM**

- 16-gauge galvanized steel construction; maximum 7/8" ceiling thickness
- Telescopic mounting bars, maximum of 32" and minimum of 15", preinstalled; 4" vertical adjustment
- Toolless adjustments post installation
- Junction box capacity: 8 (4 in, 4 out) 12AWG rated for 90°C
- Light engine and driver accessible through aperture

**ELECTRICAL SYSTEM**

- Fully serviceable and upgradeable lensed LED light engine
- 70% lumen maintenance at 60,000 hours
- Tested according LM-79 and LM-80 standards
- Overload and short circuit protected
- 2.5 SDCM; 85 CRI typical, 90+ CRI optional

**LISTINGS**

- Fixtures are UL listed; wet location, covered ceiling. Complies with US and Canadian standards
- IP55 rating (below the mounting surface) standard; IP65 rating possible with the use of silicone. Refer to [TECH-200](#) for ingress protection ratings.

**WARRANTY**

- 5-year limited warranty. Complete warranty terms located at: [www.acuitybrands.com/CustomerResources/Terms\\_and\\_conditions.aspx](http://www.acuitybrands.com/CustomerResources/Terms_and_conditions.aspx)

Note: Actual performance may differ as a result of end user environment and application. All values are design or typical values, measured under laboratory conditions at 25° C.

ORDERING INFORMATION

**EXAMPLE: EVO VR 35/10 6AR CGL 120 EZ1 DWHG**

Series	Type	Color temperature	Nominal lumen values	Aperture/ Trim color	Finish	Lens type	Voltage
EVO	VR	27/ 2700 K	10 1000 lumens	6AR Clear	(blank) Semi-specular	CGL 1/8" clear glass lens	MVOLT
		30/ 3000 K	15 1500 lumens	6PR Pewter	LD Matte-diffuse	T73 3/16" tempered prismatic glass lens	120
		35/ 3500 K	20 2000 lumens	6WTR Wheat	LS Specular	FOL 1/8" tempered flush opal glass lens	277
		40/ 4000 K	25 2500 lumens	6GR Gold		CVX 3/16" clear convex glass lens	347
			30 3000 lumens	6WR <sup>1</sup> White		PCL <sup>2</sup> 3/16" clear polycarbonate lenses	
			35 3500 lumens	6BR <sup>1</sup> Black		PPC <sup>2</sup> 1/8" prismatic polycarbonate lenses	
			40 4000 lumens				
			45 4500 lumens				

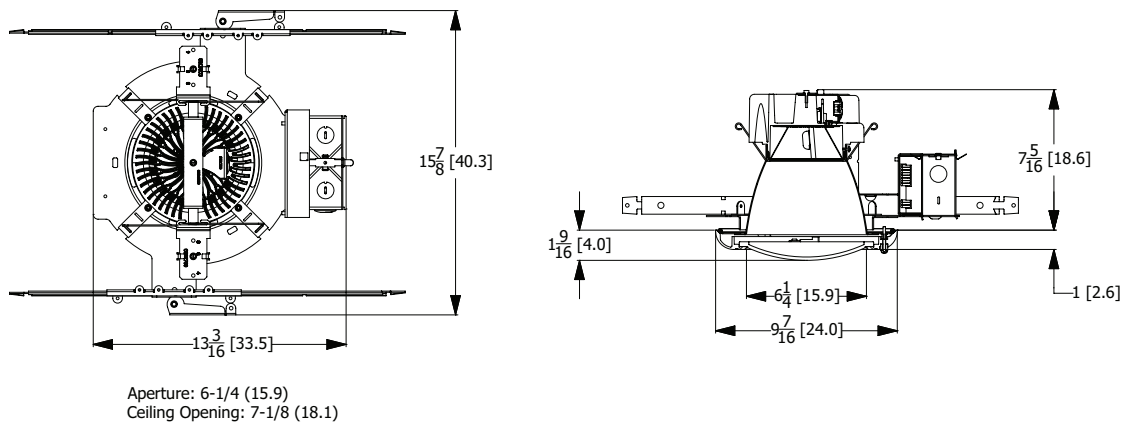
Driver <sup>3</sup>	Options
<b>EZ1</b> eldoLED ECOdrive 0-10V dimming driver. Minimum dimming level 1%.	<b>SF<sup>6</sup></b> Single fuse <b>ELR<sup>7</sup></b> Emergency battery pack with remote test switch <b>NPS80EZ</b> nLight® dimming pack controls 0-10V eldoLED drivers. <b>NPS80EZER<sup>8</sup></b> nLight® dimming pack controls 0-10V eldoLED drivers. ER controls fixtures on emergency circuit.
<b>EZB</b> eldoLED SOLOdrive 0-10V dimming driver. Minimum dimming level <1%.	<b>WRS<sup>9</sup></b> FIDO wireless monitoring and reporting system <b>BGTD<sup>6</sup></b> Bodine generator transfer device <b>WG</b> Zinc-plated wire guard
<b>EDAB</b> eldoLED SOLOdrive DALI dimming driver. Minimum dimming level <1%.	<b>PCU<sup>10</sup></b> 3/16" clear polycarbonate lens underlay (roomside) <b>CP<sup>6</sup></b> Chicago plenum <b>RRL</b> RELOC®-ready luminaire. Provides compatibility with Lithonia RELOC system. Access above ceiling required.
<b>EDXB</b> eldoLED POWERdrive DMX with RDM (remote device management). Minimum dimming level <1%. Includes termination resistor.	<b>Architectural Colors - Powder Paint<sup>11</sup></b> <b>DWHG</b> Matte white (standard) <b>DDB</b> Dark bronze <b>DBL</b> Black <b>DWH</b> Gloss white <b>DMB</b> Medium bronze <b>DNA</b> Natural aluminum
<b>EXA1</b> XPoint Wireless, eldoLED ECOdrive 1% dimming, 0-10V. Refer to XPoint tech sheet.	<b>Architectural Colors - Plating</b> <b>PWR</b> Pewter <b>SCH</b> Satin chrome <b>ORB</b> Oil-rubbed bronze
<b>EXAB</b> XPoint Wireless, eldoLED SOLOdrive <1% dimming, 0-10V. Refer to XPoint tech sheet.	
<b>ECOS2<sup>4,5</sup></b> Lutron® Hi-lume® 2-wire forward-phase dimming driver. Minimum dimming level 1%	
<b>ECOS3<sup>4</sup></b> Lutron® Hi-lume® 3-wire or EcoSystem® dimming driver. Minimum dimming level 1%	

ACCESSORIES order as separate catalog numbers (shipped separately)

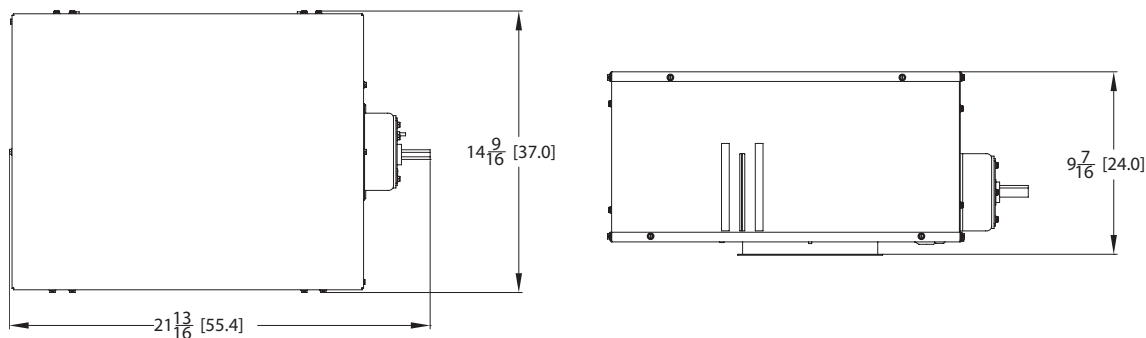
**ISD BC** 0-10V wallbox dimmer. Refer to [ISD-BC](#).

DIMENSIONAL DATA

All dimensions are inches (centimeters) unless otherwise noted.



**DIMENSIONS FOR CHICAGO PLENUM**



ELECTRICAL

EMERGENCY LUMEN OUTPUT		
LUMENS	WATTAGE	INITIAL OUTPUT
1000	9.6	1000
1500	9.6	1000
2000	9.6	1000
2500	9.6	1000
3000	9.6	1000
3500	9.6	1000
4000	9.6	1000
4500	9.6	1000

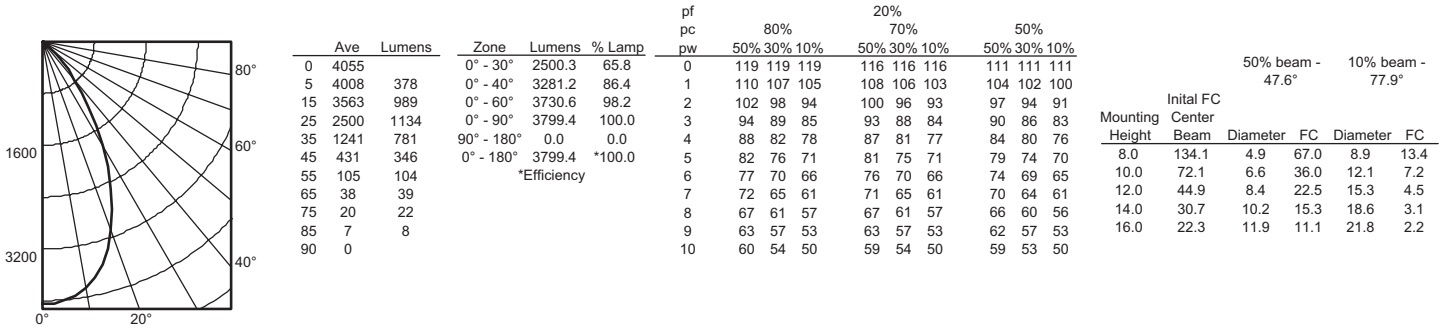
NOTES

**ORDERING NOTES**

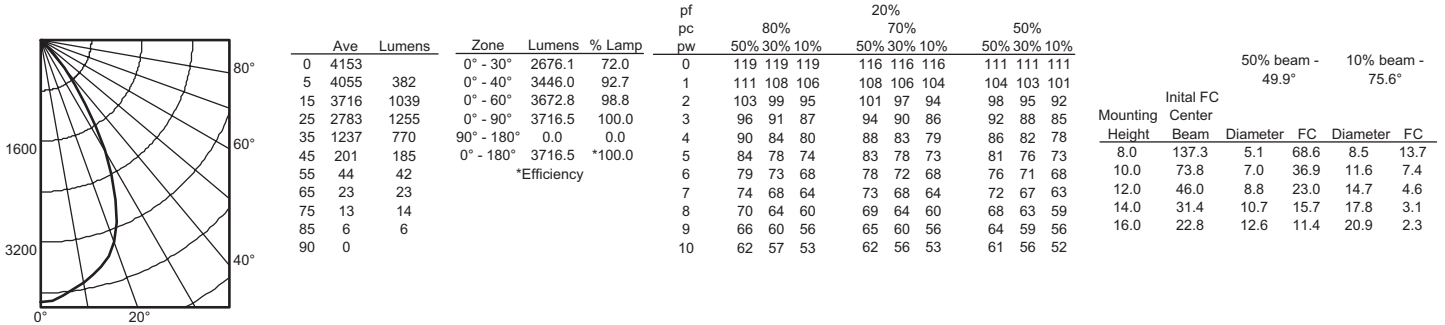
- Not available with finishes.
- Provided standard with clear polycarbonate underlay (2 lenses total).
- Refer to [TECH-240](#) for compatible dimmers.
- Not available with nLight® and XPoint options.
- 120V only.
- Specify 120V or 277V.
- For dimensional changes, refer to [TECH-140](#). Not available with 347V.
- For use with generator supply EM power. Will require an emergency hot feed and normal hot feed.
- Available only with EL/ELR. Not compatible with CP. PSSD2 included. Refer to [PSSD2](#).
- Not available with CVX, PCL or PPC lens.
- Additional architectural colors available; see [www.lithonia.com/archcolors](http://www.lithonia.com/archcolors).

Distribution Curve    Distribution Data    Output Data    Coefficient of Utilization    Illuminance: Single Luminaire 30" Above Floor

**EVO VR 35/45 6AR LS T73**    INPUT WATTS: 45, DELIVERED LUMENS: 3799.3, LM/W=84.4 , 1.0 S/MH, TEST NO. 2927



**EVO VR 35/45 6AR LS CGL**    INPUT WATTS: 45, DELIVERED LUMENS: 3716.5, LM/W=82.6, 1.0 S/MH, TEST NO. 2928



LUMEN OUTPUT MULTIPLIER - CRI	
CRI	FACTOR
80 CRI	1
90 CRI	0.79

LUMEN OUTPUT MULTIPLIER - CCT	
CRI	FACTOR
4000 K	1.035
3500 K	1
3000 K	0.973
2700 K	0.938

LUMEN OUTPUT MULTIPLIER - TRIM FINISH						
FINISH	CLEAR (AR)	PEWTER (PR)	WHEAT (WTR)	GOLD (GR)	WHITE (WR/WRAMF)	BLACK (BR)
Specular (LS)	1.00	0.88	0.83	0.95	N/A	N/A
Semi-specular (LSS)	0.95	0.84	0.79	0.90	N/A	N/A
Matte-diffuse (LD)	0.85	0.73	0.69	0.80	N/A	N/A
Paint	N/A	N/A	N/A	N/A	0.87	0.73

**PHOTOMETRY NOTES**

- Tested in accordance with IESNA LM-79-08.
- Tested to current IES and NEMA standards under stabilized laboratory conditions.
- CRI: 85 typical.

**Choose Wall Controls.**

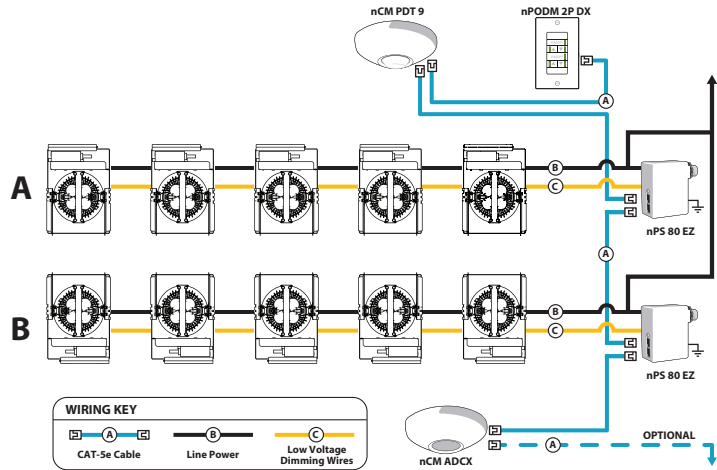
nLIGHT offers multiple styles of wall controls – each with varying features and user experience.



**Push-Button WallPod**  
 Traditional tactile buttons and LED user feedback



**Graphic WallPod**  
 Full color touch screen provides a sophisticated



**EXAMPLE**

Group Fixture Control\*

\*Application diagram applies for fixtures with eldoLED drivers only.

- nPS 80 EZ** Dimming/Control Pack (qty 2 required)
- nPODM 2P DX** Dual On/Off/Dim Push-Button WallPod
- nCM ADCX** Daylight Sensor with Automatic Dimming Control
- nCM PDT 9** Dual Technology Occupancy Sensor

**Description:** This design provides a dual on/off/dim wall station that enables manual control of the fixtures in Row A and Row B separately. Additionally, a daylight harvesting sensor is provided so the lights in row B can be configured to dim automatically when daylight is available. An occupancy sensor turns off all lights when the space is vacant.

**nLight® Control Accessories:**

Order as separate catalog number. Visit [www.sensorswitch.com/nLight](http://www.sensorswitch.com/nLight) for complete listing of nLight controls.

WallPod stations	Model number	Occupancy sensors	Model number
On/Off	nPODM [color]	Small motion 360°, ceiling (PIR / dual tech)	nCM 9 / nCM PDT 9
On/Off & Raise/Lower	nPODM DX [color]	Large motion 360°, ceiling (PIR / dual tech)	nCM 10 / nCM PDT 10
Graphic Touchscreen	nPOD GFX [color]	Wide view (PIR / dual tech)	nWV 16 / nWV PDT 16
<b>Photocell controls</b>	<b>Model number</b>	Wall Switch w/ Raise/Lower (PIR / dual tech)	nWSX LV DX / nWSX PDT LV DX
Dimming	nCM ADCX	<b>Cat-5 cables (plenum rated)</b>	<b>Model number</b>
		10', CAT5 10FT	CAT5 10FT J1
		15', CAT5 15FT	CAT5 15FT J1