

Gotham Architectural Downlighting  
LED Downlights

**6" Evo®**  
**DLW-Series LED, Lensed Wallwash**

Solid-State Lighting

FEATURES

**OPTICAL SYSTEM**

- Self-flanged semi-specular, matte-diffuse or specular lower reflector
- Proprietary mixing chamber delivers a uniform distribution of light to the wall
- For optimal uniformity, the recommended luminaire spacing is 3' from the wall and 3' centers

**MECHANICAL SYSTEM**

- 16-gauge galvanized steel construction; maximum 1-1/4" ceiling thickness
- Telescopic mounting bars maximum of 32" and minimum of 15", preinstalled, 4" vertical adjustment
- Toolless adjustments post installation
- Junction box capacity: 8 (4 in, 4 out ) 12AWG rated for 90°C
- Light engine and driver accessible through aperture

**ELECTRICAL SYSTEM**

- Fully serviceable and upgradeable LED light engine
- 70% lumen maintenance at 50,000 hours based on IESNA LM-79-2008
- 120-277VAC, 50/60hz power supply with 0-10V dimming (10-100%); rated for 50,000-hour life
- Overload and short circuit protected

**LISTINGS**

- Fixtures are CSA certified to meet US and Canadian standards; wet location, covered ceiling

**WARRANTY**

- 5-year limited warranty. Complete warranty terms located at: [www.acuitybrands.com/CustomerResources/Terms\\_and\\_conditions.aspx](http://www.acuitybrands.com/CustomerResources/Terms_and_conditions.aspx)

ORDERING INFORMATION

**EXAMPLE: DLWLED 35/10 6AR 120**

Series	Color temperature	Nominal lumen values	Aperture/Trim color	Finish	Voltage	Driver
<b>DLWLED</b>	<b>27/</b> 2700 K	<b>10</b> 1000 lumens	<b>6AR</b> Clear	(blank) Semi-specular	<b>120</b>	(blank) <sup>2</sup> 0-10V dimming driver. Minimum dimming level 10% <b>ECOS3<sup>3</sup></b> Lutron Hi-Lume® dimming driver. Minimum dimming level 1%
	<b>30/</b> 3000 K	<b>14</b> 1400 lumens	<b>6PR</b> Pewter	<b>LD</b> Matte diffuse	<b>277</b>	
	<b>35/</b> 3500 K	<b>18</b> 1800 lumens	<b>6WTR</b> Wheat	<b>LS</b> Specular	<b>347</b>	
	<b>41/</b> 4100 K		<b>6GR</b> Gold			
			<b>6WR<sup>1</sup></b> White			

Options

<b>SF</b>	Single fuse	<b>TRBL</b>	Black painted flange
<b>LRC</b>	Lithonia Reloc system	<b>ELR<sup>6</sup></b>	Emergency battery pack with remote test switch
<b>NSD<sup>4</sup></b>	Sensor Switch nLight™ dimming relay	<b>CP</b>	Chicago plenum
<b>TRW<sup>5</sup></b>	White painted flange		

ACCESSORIES order as separate catalog numbers (shipped separately)

**ISD BC** 0-10V wallbox dimmer. Refer to [ISD-BC](#).

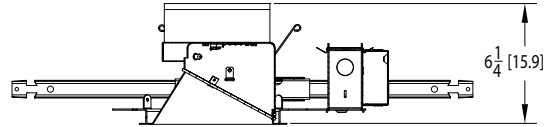
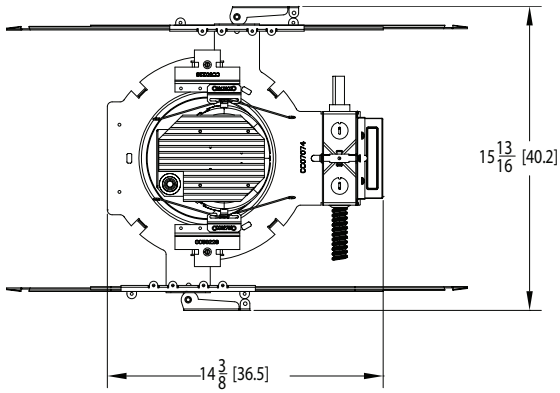
NOTES

ORDERING NOTES

1. Not available with finishes.
2. Refer to [TECH-240](#) for compatible dimmers.
3. CSA certified for US only.
4. One 5A relay with one 0-10 VDC dimming output, shipped installed. Requires additional nLight bus power supply (nPS80).
5. Not available with white reflector.
6. For dimensional changes, refer to [TECH-140](#).

DIMENSIONAL DATA

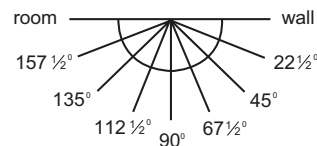
All dimensions are inches (centimeters) unless otherwise noted.



- Aperture: 6-1/4 (15.9)
- Ceiling Opening: 7-1/8 (18.1)
- Overlap Trim: 7-1/2 (19.1)

**TECHNICAL INFORMATION**

Footcandle values are initial and tables are based on minimum of six units. For fixture-to-wall distance other than those shown, use maximum of one-to-one spacing (distance between fixtures not more than distance to wall) for best results.



**Candlepower Data**

**Footcandle values**

**DLWLED 35/10 6AR**

INPUT WATTS: 21.5, DELIVERED LUMENS: 793.4, LM/W=36.9, TEST NO. LTL20908

Vertical Angle	Plane angle							
	Wall	22.5	45	67.5	90	112.5	135	157.5
0	602	602	602	602	602	602	602	602
5	590	590	590	589	585	581	576	573
15	490	485	492	497	493	481	465	453
25	404	404	411	412	397	369	334	306
35	356	353	350	334	297	242	189	155
45	286	274	259	226	172	116	76	57
55	184	172	152	114	70	38	21	12
65	114	104	82	48	23	9	2	2
75	53	42	27	12	4	1	1	1
85	6	3	2	1	1	0	0	0
90	0	0	0	0	0	0	0	0

ft. from ceiling	Wallwash Illuminance Study (fc)								
	Luminaire mounted 3 ft. from wall			Luminaire mounted 3 ft. from wall			Luminaire mounted 3 ft. from wall		
	3 ft. between luminaires			4 ft. between luminaires			5 ft. between luminaires		
1	9	7	9	8	4	8	7	3	7
2	16	15	16	13	10	13	12	7	12
3	19	18	19	15	13	15	13	9	13
4	17	17	17	13	13	13	11	10	11
5	14	14	14	10	10	10	8	8	8
6	11	11	11	8	8	8	7	7	7
7	9	9	9	7	7	7	5	5	5
8	7	7	7	6	6	6	4	4	4
9	6	6	6	5	5	5	4	4	4
10	5	5	5	4	4	4	3	3	3

**DLWLED 35/14 6AR**

INPUT WATTS: 27.6, DELIVERED LUMENS: 1116.5, LM/W=40.5, TEST NO. LTL20907

Vertical Angle	Plane angle							
	Wall	22.5	45	67.5	90	112.5	135	157.5
0	844	844	844	844	844	844	844	844
5	834	827	828	828	823	817	810	805
15	696	690	702	709	701	681	655	636
25	576	576	585	587	564	521	473	432
35	507	501	495	472	421	343	270	221
45	398	382	361	315	241	165	110	82
55	252	237	210	158	98	54	30	17
65	155	140	110	66	32	12	4	2
75	71	57	36	17	6	1	1	1
85	7	4	3	1	1	1	0	0
90	0	0	0	0	0	0	0	0

ft. from ceiling	Wallwash Illuminance Study (fc)								
	Luminaire mounted 3 ft. from wall			Luminaire mounted 3 ft. from wall			Luminaire mounted 3 ft. from wall		
	3 ft. between luminaires			4 ft. between luminaires			5 ft. between luminaires		
1	12	10	12	10	6	10	10	3	10
2	22	21	22	18	14	18	16	10	16
3	26	25	26	20	18	20	18	13	18
4	24	24	24	18	18	18	15	14	15
5	19	19	19	15	15	15	12	12	12
6	16	16	16	12	12	12	9	10	9
7	12	12	12	10	10	10	8	8	8
8	10	10	10	8	8	8	6	6	6
9	8	8	8	6	6	6	5	5	5
10	7	7	7	5	5	5	4	4	4

**DLWLED 35/18 6AR**

INPUT WATTS: 32.0, DELIVERED LUMENS: 1341.8, LM/W=41.9, TEST NO. LTL21137

Vertical Angle	Plane angle							
	Wall	22.5	45	67.5	90	112.5	135	157.5
0	1000	1000	1000	1000	1000	1000	1000	1000
5	995	994	993	988	980	968	954	947
15	844	843	852	852	834	804	768	741
25	695	697	705	701	670	613	549	499
35	609	605	597	565	501	404	312	254
45	484	467	440	383	290	194	128	95
55	310	294	260	196	119	64	34	20
65	193	176	139	83	39	15	5	3
75	91	74	48	22	8	1	1	1
85	10	6	4	1	1	1	1	0
90	0	0	0	0	0	0	0	0

ft. from ceiling	Wallwash Illuminance Study (fc)								
	Luminaire mounted 3 ft. from wall			Luminaire mounted 3 ft. from wall			Luminaire mounted 3 ft. from wall		
	3 ft. between luminaires			4 ft. between luminaires			5 ft. between luminaires		
1	15	12	15	13	8	13	12	5	12
2	28	26	28	22	18	22	20	12	20
3	32	31	32	25	22	25	22	16	22
4	29	29	29	22	22	22	18	17	18
5	23	23	23	18	18	18	14	14	14
6	19	19	19	14	14	14	11	12	11
7	15	15	15	12	12	12	9	9	9
8	12	12	12	9	9	9	8	8	8
9	10	10	10	8	8	8	6	6	6
10	8	8	8	6	7	6	5	5	5

**PHOTOMETRY NOTES**

- Tested in accordance with IESNA LM-79-08.
- Tested to current IES and NEMA standards under stabilized laboratory conditions.
- Actual performance may differ as a result of end-user environment and application.
- Actual wattage may differ by +/- 10% when operating between 120-277V +/- 10%.
- CRI: 83 typical.
- Consult factory or IES file for microgroove baffle, black cone or other photometric reports.