

Gotham Architectural Downlighting
LED Downlights

4" Evo®
DLW-Series LED, Lensed Wallwash

Solid-State Lighting

FEATURES

OPTICAL SYSTEM

- Self-flanged semi-specular, matte-diffuse or specular lower reflector
- Proprietary mixing chamber delivers a uniform distribution of light to the wall
- For optimal uniformity, the recommended luminaire spacing is 3' from the wall and 3' centers

MECHANICAL SYSTEM

- 16-gauge galvanized steel construction; maximum 1-1/4" ceiling thickness
- Telescopic mounting bars maximum of 32" and minimum of 15", preinstalled, 4" vertical adjustment
- Toolless adjustments post installation
- Junction box capacity: 8 (4 in, 4 out) 12AWG rated for 90°C
- Light engine and driver accessible through aperture

ELECTRICAL SYSTEM

- Fully serviceable and upgradeable LED light engine
- 70% lumen maintenance at 50,000 hours based on IESNA LM-79-2008
- 120-277VAC, 50/60hz power supply with 0-10V dimming (10-100%); rated for 50,000-hour life
- Overload and short circuit protected

LISTINGS

- Fixtures are CSA certified to meet US and Canadian standards; wet location, covered ceiling

WARRANTY

- 5-year limited warranty. Complete warranty terms located at: www.acuitybrands.com/CustomerResources/Terms_and_conditions.aspx

ORDERING INFORMATION

EXAMPLE: DLWLED 35/10 4AR 120

Series	Color temperature	Nominal lumen values	Aperture/Trim color	Finish	Voltage	Driver
DLWLED	27/ 2700 K	10 1000 lumens	4AR Clear	(blank) Semi-specular	120	(blank) ² 0-10V dimming driver. Minimum dimming level 10% ECOS3³ Lutron Hi-Lume® dimming driver. Minimum dimming level 1%
	30/ 3000 K	14 1400 lumens	4PR Pewter	LD Matte diffuse	277	
	35/ 3500 K	18 1800 lumens	4WTR Wheat	LS Specular	347	
	41/ 4100 K		4GR Gold			
			4WR¹ White			

Options

SF	Single fuse	TRBL	Black painted flange
LRC	Lithonia Reloc system	ELR⁶	Emergency battery pack with remote test switch
NSD⁴	Sensor Switch nLight™ dimming relay	CP	Chicago plenum
TRW⁵	White painted flange		

ACCESSORIES order as separate catalog numbers (shipped separately)

ISD BC 0-10V wallbox dimmer. Refer to [ISD-BC](#).

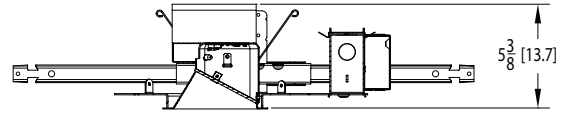
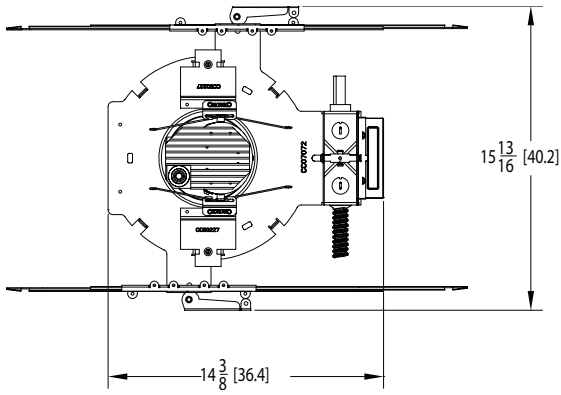
NOTES

ORDERING NOTES

1. Not available with finishes.
2. Refer to [TECH-240](#) for compatible dimmers.
3. CSA certified for US only.
4. One 5A relay with one 0-10 VDC dimming output, shipped installed. Requires additional nLight bus power supply (nPS80).
5. Not available with white reflector.
6. For dimensional changes, refer to [TECH-140](#).

DIMENSIONAL DATA

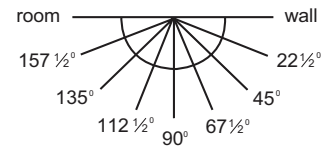
All dimensions are inches (centimeters) unless otherwise noted.



- Aperture: 4-5/16 (11.0)
- Ceiling Opening: 5-1/8 (13.0)
- Overlap Trim: 5-7/16 (13.8)

TECHNICAL INFORMATION

Footcandle values are initial and tables are based on minimum of six units. For fixture-to-wall distance other than those shown, use maximum of one-to-one spacing (distance between fixtures not more than distance to wall) for best results.



Candlepower Data **Footcandle values**

DLWLED 35/10 4AR

INPUT WATTS: 20.7, DELIVERED LUMENS: 652.0, LM/W=31.5, TEST NO. LTL21242

[LTER] 29	Plane angle						
	Wall 22.5	45	67.5	90	112.5	135	157.5
0	469	469	469	469	469	469	469
5	489	488	483	474	463	452	443
15	479	476	466	445	415	383	356
25	425	420	409	382	339	289	243
35	344	338	326	291	236	175	127
45	244	235	216	175	123	78	49
55	155	142	121	87	52	27	13
65	86	77	60	36	17	6	2
75	33	26	17	8	3	1	1
85	2	1	1	1	1	0	0
90	0	0	0	0	0	0	0

ft. from ceiling	Wallwash Illuminance Study (fc)								
	Illuminance on wall from 6 luminaires								
	Luminaire mounted 3 ft. from wall			Luminaire mounted 3 ft. from wall			Luminaire mounted 3 ft. from wall		
	3 ft. between luminaires			4 ft. between luminaires			5 ft. between luminaires		
1	6	5	6	5	3	5	5	2	5
2	13	12	13	11	8	11	10	5	10
3	15	15	15	12	11	12	11	8	11
4	15	15	15	11	11	11	10	8	10
5	13	13	13	10	10	10	8	8	8
6	10	10	10	8	8	8	6	6	6
7	8	8	8	6	6	6	5	5	5
8	7	7	7	5	5	5	4	4	4
9	6	6	6	4	4	4	4	4	4
10	5	5	5	4	4	4	3	3	3

DLWLED 35/14 4AR

INPUT WATTS: 27.4, DELIVERED LUMENS: 956.1, LM/W=34.9, TEST NO. LTL21241

Vertical Angle	Plane angle						
	Wall 22.5	45	67.5	90	112.5	135	157.5
0	681	692	690	690	688	686	683
5	715	721	711	696	678	659	642
15	697	696	680	649	604	553	507
25	616	613	601	562	491	411	338
35	508	507	491	434	345	249	174
45	369	356	326	266	187	114	69
55	229	211	185	141	85	44	20
65	127	116	97	60	29	10	3
75	49	40	27	13	3	1	0
85	4	1	1	1	1	1	0
90	0	0	0	0	0	0	0

ft. from ceiling	Wallwash Illuminance Study (fc)								
	Illuminance on wall from 6 luminaires								
	Luminaire mounted 3 ft. from wall			Luminaire mounted 3 ft. from wall			Luminaire mounted 3 ft. from wall		
	3 ft. between luminaires			4 ft. between luminaires			5 ft. between luminaires		
1	12	14	12	10	10	10	10	5	10
2	22	23	22	17	16	17	15	11	15
3	22	22	22	17	17	17	14	12	14
4	20	20	20	15	15	15	12	12	12
5	17	17	17	13	13	13	10	10	10
6	14	14	14	10	10	10	8	8	8
7	11	11	11	9	9	9	7	7	7
8	9	9	9	7	7	7	6	6	6
9	8	8	8	6	6	6	5	5	5
10	6	6	6	5	5	5	4	4	4

DLWLED 35/18 4AR

INPUT WATTS: 31.7, DELIVERED LUMENS: 1143.2, LM/W=36.9, TEST NO. LTL21240

Vertical Angle	Plane angle						
	Wall 22.5	45	67.5	90	112.5	135	157.5
0	807	807	807	807	807	807	807
5	835	836	828	815	798	790	764
15	812	809	795	763	715	663	616
25	719	715	700	657	586	500	420
35	594	589	569	511	415	305	219
45	439	421	388	319	222	137	85
55	280	260	223	161	94	48	23
65	162	146	113	68	32	11	3
75	66	52	33	15	5	2	1
85	5	3	2	1	1	1	0
90	0	0	0	0	0	0	0

ft. from ceiling	Wallwash Illuminance Study (fc)								
	Illuminance on wall from 6 luminaires								
	Luminaire mounted 3 ft. from wall			Luminaire mounted 3 ft. from wall			Luminaire mounted 3 ft. from wall		
	3 ft. between luminaires			4 ft. between luminaires			5 ft. between luminaires		
1	11	9	11	10	5	10	9	3	9
2	24	22	24	20	15	20	18	10	18
3	28	27	28	22	19	22	20	14	20
4	26	26	26	20	19	20	17	15	17
5	22	22	22	17	17	17	14	13	14
6	18	18	18	14	14	14	11	11	11
7	14	15	14	11	11	11	9	9	9
8	12	12	12	9	9	9	7	7	7
9	9	10	9	7	7	7	6	6	6
10	8	8	8	6	6	6	5	5	5

PHOTOMETRY NOTES

- Tested in accordance with IESNA LM-79-08.
- Tested to current IES and NEMA standards under stabilized laboratory conditions.
- Actual performance may differ as a result of end-user environment and application.
- Actual wattage may differ by +/- 10% when operating between 120-277V +/- 10%.
- CRI: 83 typical.
- Consult factory or IES file for microgroove baffle, black cone or other photometric reports.