



Gotham Architectural Downlighting
LED Downlights

8" Evo®
A-Series LED, Non-Conductive Shower Light

Solid-State Lighting

FEATURES

OPTICAL SYSTEM

- Face plate made of impact-modified acrylic for excellent durability and light transmission
- "Dead front" shower light for added safety
- White painted flange

MECHANICAL SYSTEM

- 16-gauge galvanized steel construction; maximum 1-1/4" ceiling thickness
- Telescopic mounting bars maximum of 32" and minimum of 15", preinstalled, 4" vertical adjustment
- Toolless adjustments post installation
- Junction box capacity: 8 (4 in, 4 out) 12AWG rated for 90°C
- Light engine and driver accessible through aperture

ELECTRICAL SYSTEM

- Fully serviceable and upgradeable LED light engine
- 70% lumen maintenance at 50,000 hours based on IESNA LM-79-2008
- 120-277VAC, 50/60hz power supply with 0-10V dimming (10-100%); rated for 50,000-hour life
- Overload and short circuit protected

LISTINGS

- Fixtures are CSA certified to meet US and Canadian standards; wet location, covered ceiling
- IP65 rated; suitable for steam room applications

WARRANTY

- 5-year limited warranty. Complete warranty terms located at: www.acuitybrands.com/CustomerResources/Terms_and_conditions.aspx

ORDERING INFORMATION

EXAMPLE: ALED 35/18 8DFR 120

| Series | Color temperature | Nominal lumen values | Aperture | Trim style | Voltage | Driver |
|--------|-------------------|----------------------|----------|-------------------------------------------|---------|-------------------------------------------------------------------------------|
| ALED | 27/ 2700 K | 18 1800 lumens | 8 | DFR Dead (non conductive) front regressed | 120 | (blank) ¹ 0-10V dimming driver. Minimum dimming level 10% |
| | 30/ 3000 K | 22 2200 lumens | | | 277 | ECOS3 ^{1,2} Lutron Hi-Lume® dimming driver. Minimum dimming level 1% |
| | 35/ 3500 K | 29 2900 lumens | | | 347 | |
| | 41/ 4100 K | | | | | |

Options

| | | | |
|------------------|-------------------------------------|------------------|------------------------------------------------|
| SF | Single fuse | ELR ⁵ | Emergency battery pack with remote test switch |
| LRC | Lithonia Reloc® system | CP | Chicago plenum |
| NSD ³ | Sensor Switch nLight™ dimming relay | | |
| TRW ⁴ | White painted flange | | |

ACCESSORIES order as separate catalog numbers (shipped separately)

| | |
|------------|----------------------------------------------------------------------------------------------------------------------------------------|
| SCA8 | Sloped ceiling adapter. Degree of slope must be specified (10D, 15D, 20D, 25D, 30D). Ex: SCA8 10D. Refer to TECH-190 . |
| CTA8 YKLED | Ceiling thickness adapter (extends mounting frame to accommodate ceiling thickness up to 2"). |
| ISD BC | 0-10V wallbox dimmer. Refer to ISD-BC . |

NOTES

ORDERING NOTES

1. Refer to [TECH-240](#) for compatible dimmers.
2. CSA certified for US and Canada.
3. One 5A relay with one 0-10 VDC dimming output, shipped installed. Requires additional nLight bus power supply (nPS80).
4. Not available with white reflector.
5. For dimensional changes refer to [TECH-140](#).

8" EVO

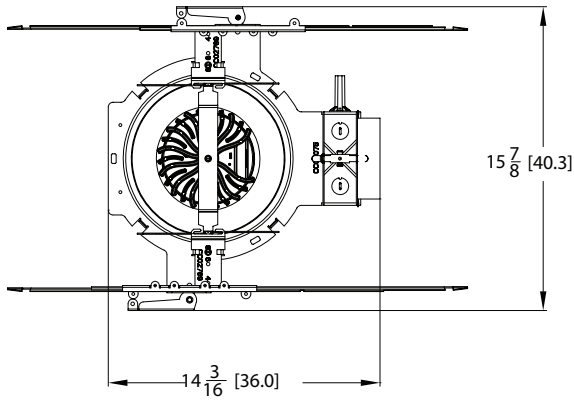
A-Series LED, Non-Conductive Shower Light

Solid-State Lighting

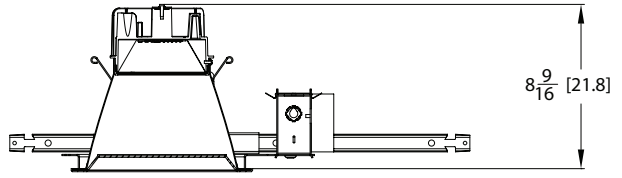


DIMENSIONAL DATA

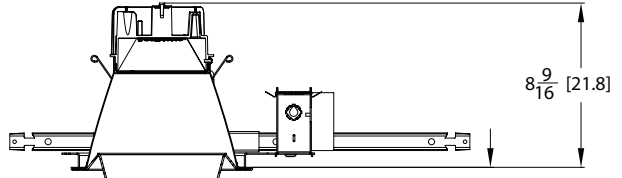
All dimensions are inches (centimeters) unless otherwise noted.



Aperture: 7-7/8 (20.1)
Ceiling Opening: 8-7/8 (21.5)
Overlap Trim: 9-1/4 (23.5)



ALED 8DFR



ALED 8DFD

