

Gotham Architectural Downlighting
LED Downlights

8" Evo®
A-Series LED, Open Reflector

Solid-State Lighting

FEATURES

OPTICAL SYSTEM

- Self-flanged semi-specular, matte-diffuse or specular lower reflector
- Patented Bounding Ray™ optical design (U.S. Patent No. 5,800,050)
- 45° cutoff to source and source image
- Top-down flash characteristic

MECHANICAL SYSTEM

- 16-gauge galvanized steel construction; maximum 1-1/4" ceiling thickness
- Telescopic mounting bars maximum of 32" and minimum of 15", preinstalled, 4" vertical adjustment
- Toolless adjustments post installation
- Junction box capacity: 8 (4 in, 4 out) 12AWG rated for 90°C
- Light engine and driver accessible through aperture

ELECTRICAL SYSTEM

- Fully serviceable and upgradeable LED light engine
- 70% lumen maintenance at 50,000 hours based on IESNA LM-79-2008
- 120-277VAC, 50/60hz power supply with 0-10V dimming (10-100%); rated for 50,000-hour life
- Overload and short circuit protected

LISTINGS

- Fixtures are CSA certified to meet US and Canadian standards; wet location, covered ceiling

WARRANTY

- 5-year limited warranty. Complete warranty terms located at: www.acuitybrands.com/CustomerResources/Terms_and_conditions.aspx

ORDERING INFORMATION

EXAMPLE: ALED 35/18 8AR 120

Series	Color temperature	Nominal lumen values	Aperture/Trim color	Finish	Voltage	Driver
ALED	27/ 2700 K	18 1800 lumens	8AR Clear	(blank) Semi-specular	120	(blank) ² 0-10V dimming driver. Minimum dimming level 10% ECOS3³ Lutron Hi-Lume® dimming driver. Minimum dimming level 1%
	30/ 3000 K	22 2200 lumens	8PR Pewter	LD Matte diffuse	277	
	35/ 3500 K	29 2900 lumens	8WTR Wheat	LS Specular	347	
	41/ 4100 K		8GR Gold			
			8WR¹ White			

Options

SF	Single fuse	TRBL	Black painted flange
LRC	Lithonia Reloc® system	ELR⁶	Emergency battery pack with remote test switch
NSD⁴	Sensor Switch nLight™ dimming relay	CP	Chicago plenum
TRW⁵	White painted flange		

ACCESSORIES order as separate catalog numbers (shipped separately)

SCA8	Sloped ceiling adapter. Degree of slope must be specified (10D, 15D, 20D, 25D, 30D). Ex: SCA8 10D. Refer to TECH-190 .
CTA8 YKLED	Ceiling thickness adapter (extends mounting frame to accommodate ceiling thickness up to 2").
GVRT	Vandal-resistant trim accessory. Refer to TECH-200 .
ISD BC	0-10V wallbox dimmer. Refer to ISD-BC .

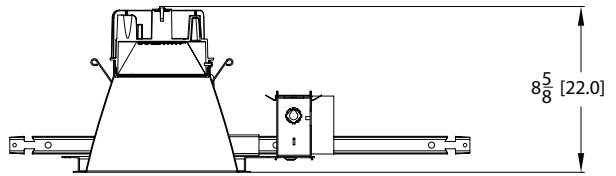
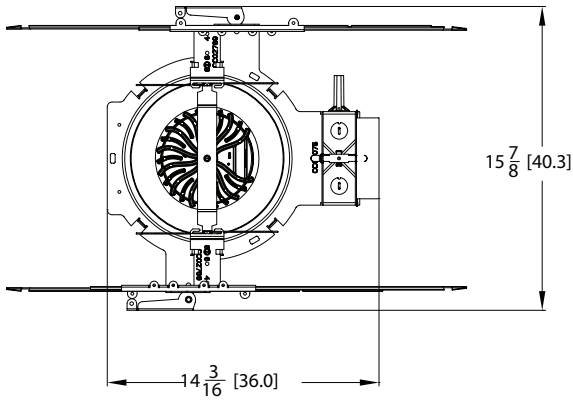
NOTES

ORDERING NOTES

- | | |
|---|---|
| 1. Not available with finishes. | 5. Not available with white reflector. |
| 2. Refer to TECH-240 for compatible dimmers. | 6. For dimensional changes, refer to TECH-140 . |
| 3. CSA certified for US and Canada. | |
| 4. One 5A relay with one 0-10 VDC dimming output, shipped installed. Requires additional nLight bus power supply (nPS80). | |

DIMENSIONAL DATA

All dimensions are inches (centimeters) unless otherwise noted.

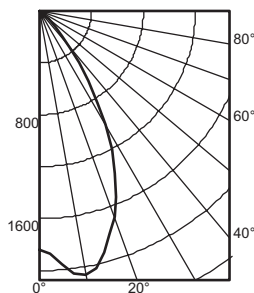


Aperture: 7-7/8 (20.1)
Ceiling Opening: 8-7/8 (21.5)
Overlap Trim: 9-1/4 (23.5)

Distribution Curve Distribution Data Output Data Coefficient of Utilization Illuminance: Single Luminaire 30" Above Floor

ALED 35/18 8AR LS

INPUT WATTS: 34.6, DELIVERED LUMENS: 1910.1, LM/W=55.2, 1.0 S/MH, TEST NO. LTL21102

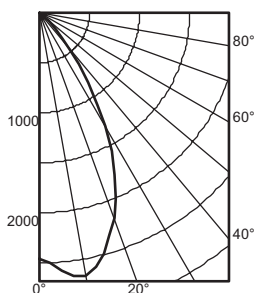


Ave	Lumens	Zone	Lumens	% Lamp	pf	80%			20%			50%		
						pc	pw	50%	30%	10%	50%	30%	10%	50%
0	1840	0° - 30°	1349.0	70.6	0	119	119	119	116	116	116	111	111	111
5	1957	0° - 40°	1762.7	92.3	1	111	108	106	109	106	104	105	103	101
15	1929	0° - 60°	1908.3	99.9	2	103	99	96	101	98	95	98	95	93
25	1379	0° - 90°	1910.1	100.0	3	96	91	87	95	90	87	92	88	85
35	660	90° - 180°	0.0	0.0	4	90	84	80	89	84	80	87	82	79
45	168	0° - 180°	1910.1	*100.0	5	84	78	74	83	78	74	81	77	73
55	3			*Efficiency	6	79	73	69	78	72	68	77	72	68
65	1				7	74	68	64	73	68	64	72	67	63
75	1				8	70	64	60	69	63	59	68	63	59
85	0				9	66	60	56	65	60	56	64	59	56
90	0				10	62	56	52	62	56	52	61	56	52

Mounting Height	Initial Center Beam	50% beam - 52.8°		10% beam - 78.9°	
		Diameter	FC	Diameter	FC
8.0	60.8	5.5	30.4	9.0	6.1
10.0	32.7	7.4	16.4	12.3	3.3
12.0	20.4	9.4	10.2	15.6	2.0
14.0	13.9	11.4	7.0	18.9	1.4
16.0	10.1	13.4	5.0	22.2	1.0

ALED 35/22 8AR LS

INPUT WATTS: 39.3, DELIVERED LUMENS: 2470.3, LM/W=62.9, 1.0 S/MH, TEST NO. LTL21112

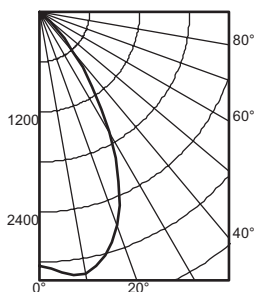


Ave	Lumens	Zone	Lumens	% Lamp	pf	80%			20%			50%		
						pc	pw	50%	30%	10%	50%	30%	10%	50%
0	2463	0° - 30°	1748.6	70.8	0	119	119	119	116	116	116	111	111	111
5	2584	0° - 40°	2282.9	92.4	1	111	108	106	109	106	104	105	103	101
15	2486	0° - 60°	2469.0	99.9	2	103	99	96	101	98	95	98	95	93
25	1785	0° - 90°	2470.3	100.0	3	96	91	87	95	90	87	92	88	85
35	851	90° - 180°	0.0	0.0	4	90	84	80	89	84	80	87	82	79
45	215	0° - 180°	2470.3	*100.0	5	84	78	74	83	78	74	81	77	73
55	4			*Efficiency	6	79	73	69	78	72	68	77	72	68
65	1				7	74	68	64	73	68	64	72	67	63
75	1				8	70	64	60	69	64	60	68	63	59
85	0				9	66	60	56	65	60	56	64	59	56
90	0				10	62	56	53	62	56	52	61	56	52

Mounting Height	Initial Center Beam	50% beam - 52.0°		10% beam - 78.4°	
		Diameter	FC	Diameter	FC
8.0	81.4	5.4	40.7	9.0	8.1
10.0	43.8	7.3	21.9	12.2	4.4
12.0	27.3	9.3	13.6	15.5	2.7
14.0	18.6	11.2	9.3	18.8	1.9
16.0	13.5	13.2	6.8	22.0	1.4

ALED 35/29 8AR LS

INPUT WATTS: 48.6, DELIVERED LUMENS: 3094.8, LM/W=63.7, 1.0 S/MH, TEST NO. LTL21108



Ave	Lumens	Zone	Lumens	% Lamp	pf	80%			20%			50%		
						pc	pw	50%	30%	10%	50%	30%	10%	50%
0	3052	0° - 30°	2160.1	69.8	0	119	119	119	116	116	116	111	111	111
5	3142	0° - 40°	2847.6	92.0	1	111	108	106	109	106	104	105	103	101
15	3026	0° - 60°	3093.1	99.9	2	103	99	96	101	98	95	98	95	92
25	2245	0° - 90°	3094.8	100.0	3	96	91	87	95	90	86	92	88	85
35	1096	90° - 180°	0.0	0.0	4	90	84	80	88	83	79	86	82	78
45	285	0° - 180°	3094.8	*100.0	5	84	78	74	83	77	73	81	76	73
55	4			*Efficiency	6	79	73	68	78	72	68	76	71	67
65	1				7	74	68	63	73	67	63	72	67	63
75	0				8	69	63	59	69	63	59	68	62	59
85	0				9	65	59	55	65	59	55	64	59	55
90	0				10	62	56	52	61	56	52	60	55	52

Mounting Height	Initial Center Beam	50% beam - 52.4°		10% beam - 79.1°	
		Diameter	FC	Diameter	FC
8.0	100.9	5.4	50.4	9.1	10.1
10.0	54.3	7.4	27.1	12.4	5.4
12.0	33.8	9.3	16.9	15.7	3.4
14.0	23.1	11.3	11.5	19.0	2.3
16.0	16.7	13.3	8.4	22.3	1.7

PHOTOMETRY NOTES

- Tested in accordance with IESNA LM-79-08.
- Tested to current IES and NEMA standards under stabilized laboratory conditions.
- Actual performance may differ as a result of end-user environment and application.
- Actual wattage may differ by +/- 10% when operating between 120-277V +/- 10%.
- CRI: 83 typical.
- Consult factory or IES file for microgroove baffle, black cone or other photometric reports.