



Ring



Disk



Gotham Architectural Downlighting
Decorative LED Downlights

8" Evo®
A-Series LED, Drop Luminous Ring/Disk

Solid-State Lighting

FEATURES

OPTICAL SYSTEM

- Self-flanged semi-specular, matte-diffuse or specular lower reflector
- Patented Bounding Ray™ optical design (U.S. Patent No. 5,800,050)
- 45° cutoff to source and source image
- Decorative element: 3/16"-thick low-iron glass with polished edges and sandblasted finish
- Precision-machined aluminum hardware with threaded spacers

MECHANICAL SYSTEM

- 16-gauge galvanized steel construction; maximum 1-1/4" ceiling thickness
- Telescopic mounting bars maximum of 32" and minimum of 15", preinstalled, 4" vertical adjustment
- Toolless adjustments post installation
- Junction box capacity: 8 (4 in, 4 out) 12AWG rated for 90°C
- Light engine and driver accessible through aperture

ELECTRICAL SYSTEM

- Fully serviceable and upgradeable LED light engine
- 70% lumen maintenance at 50,000 hours based on IESNA LM-79-2008
- 120-277VAC, 50/60hz power supply with 0-10V dimming (10-100%); rated for 50,000-hour life
- Overload and short circuit protected

LISTINGS

- Fixtures are CSA certified to meet US and Canadian standards; wet location, covered ceiling

WARRANTY

- 5-year limited warranty. Complete warranty terms located at: www.acuitybrands.com/CustomerResources/Terms_and_conditions.aspx

ORDERING INFORMATION

EXAMPLE: ALED 35/18 8AR DLR 120

Series	Color temperature	Nominal lumen values	Aperture/Trim color	Decorative element	Finish	Voltage
ALED	27/ 2700 K	18 1800 lumens	8AR Clear	DLR Drop luminous ring	(blank) Semi-specular	120
	30/ 3000 K	22 2200 lumens	8PR Pewter	DLD Drop luminous disk	LD Matte diffuse	277
	35/ 3500 K	29 2900 lumens	8WTR Wheat		LS Specular	347
	41/ 4100 K		8GR Gold 8WR ¹ White			

Driver	Options
(blank) ² 0-10V dimming driver. Minimum dimming level 10%	SF Single fuse LRC Lithonia Reloc® system NSD ⁴ Sensor Switch nLight™ dimming relay TRW ⁵ White painted flange
ECOS3 ^{2,3} Lutron Hi-Lume® dimming driver. Minimum dimming level 1%	TRBL Black painted flange ELR ⁶ Emergency battery pack with remote test switch CP Chicago plenum

ACCESSORIES order as separate catalog numbers (shipped separately)

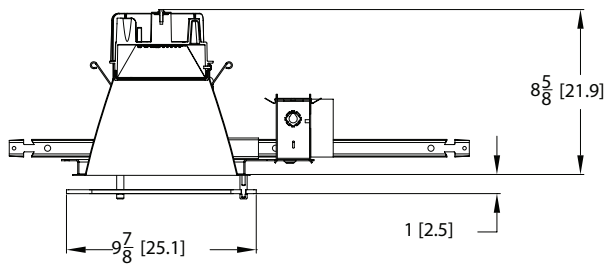
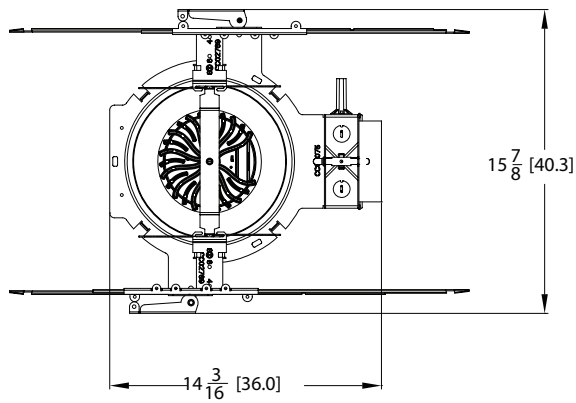
ISD BC 0-10V wallbox dimmer. Refer to [ISD-BC](#).

NOTES

ORDERING NOTES
1. Not available with finishes.
2. Refer to TECH-240 for compatible dimmers.
3. CSA certified for US and Canada.
4. One 5A relay with one 0-10 VDC dimming output, shipped installed. Requires additional nLight bus power supply (nPS80).
5. Not available with white reflector.
6. For dimensional changes, refer to TECH-140 .

DIMENSIONAL DATA

All dimensions are inches (centimeters) unless otherwise noted.

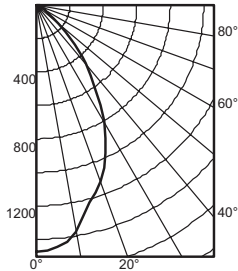


Aperture: $7 \frac{7}{8}$ (20.1)
 Ceiling Opening: $8 \frac{7}{8}$ (21.5)
 Overlap Trim: $9 \frac{1}{4}$ (23.5)

Distribution Curve Distribution Data Output Data Coefficient of Utilization Illuminance: Single Luminaire 30" Above Floor

ALED 35/22 8AR DLD

INPUT WATTS: 44, DELIVERED LUMENS: 1734, LM/W=39.4, 0.9 S/MH, TEST NO. LTL19768

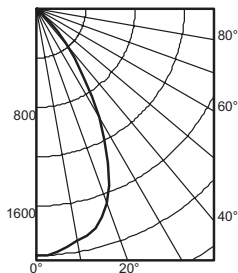


Ave	Lumens	Zone	Lumens	% Lamp	pf	80%			20%			50%		
						pc	50%	30%	10%	50%	30%	10%	50%	30%
0	1477	0° - 30°	927.5	53.5	0	119	119	119	116	116	116	111	111	111
5	1453	0° - 40°	1313.3	75.7	1	109	106	103	106	104	101	102	100	98
15	1220	0° - 60°	1634.8	94.3	2	99	94	90	97	93	89	94	90	87
25	979	0° - 90°	1734.5	100.0	3	91	85	80	89	84	79	86	82	78
35	617	90° - 180°	0.0	0.0	4	83	77	72	82	76	71	80	75	70
45	303	0° - 180°	1734.5	*100.0	5	77	70	65	76	69	65	74	68	64
55	93				6	71	64	59	70	64	59	69	63	58
65	55				7	66	59	54	65	59	54	64	58	54
75	30				8	62	55	50	61	54	50	60	54	50
85	12				9	58	51	46	57	51	46	56	50	46
90	0				10	54	47	43	54	47	43	53	47	43

Initial FC		50% beam -		10% beam -	
Center	Center	49.5°	FC	85.4°	FC
8.0	48.8	5.1	24.4	10.2	4.9
10.0	26.3	6.9	13.1	13.8	2.6
12.0	16.4	8.8	8.2	17.5	1.6
14.0	11.2	10.6	5.6	21.2	1.1
16.0	8.1	12.4	4.1	24.9	0.8

ALED 35/22 8AR DLR

INPUT WATTS: 44, DELIVERED LUMENS: 1953, LM/W=44.4, 0.9 S/MH, TEST NO. LTL19767

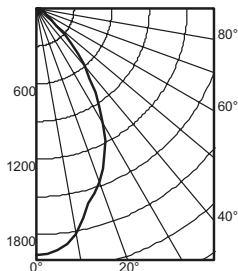


Ave	Lumens	Zone	Lumens	% Lamp	pf	80%			20%			50%		
						pc	50%	30%	10%	50%	30%	10%	50%	30%
0	2004	0° - 30°	1324.4	67.8	0	119	119	119	116	116	116	111	111	111
5	1978	0° - 40°	1741.0	89.1	1	110	108	105	108	106	104	104	102	100
15	1844	0° - 60°	1915.1	98.0	2	102	98	94	100	96	93	97	94	91
25	1381	0° - 90°	1953.9	100.0	3	95	90	85	93	89	85	91	87	83
35	667	90° - 180°	0.0	0.0	4	88	82	78	87	82	78	85	80	77
45	158	0° - 180°	1953.9	*100.0	5	82	76	72	81	76	71	80	75	71
55	41				6	77	71	66	76	70	66	75	70	66
65	21				7	72	66	62	72	66	62	70	65	61
75	12				8	68	62	58	67	61	57	66	61	57
85	4				9	64	58	54	64	58	54	63	57	54
90	0				10	60	54	50	60	54	50	59	54	50

Initial FC		50% beam -		10% beam -	
Center	Center	50.7°	FC	77.9°	FC
8.0	66.2	5.2	33.1	8.9	6.6
10.0	35.6	7.1	17.8	12.1	3.6
12.0	22.2	9.0	11.1	15.4	2.2
14.0	15.2	10.9	7.6	18.6	1.5
16.0	11.0	12.8	5.5	21.8	1.1

ALED 35/29 8AR DLD

INPUT WATTS: 57, DELIVERED LUMENS: 2280, LM/W=40.0, 0.9 S/MH, TEST NO. LTL19770

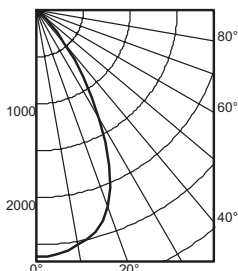


Ave	Lumens	Zone	Lumens	% Lamp	pf	80%			20%			50%		
						pc	50%	30%	10%	50%	30%	10%	50%	30%
0	1967	0° - 30°	1222.4	53.6	0	119	119	119	116	116	116	111	111	111
5	1933	0° - 40°	1730.2	75.9	1	109	106	103	106	104	101	102	100	98
15	1607	0° - 60°	2149.1	94.2	2	99	94	90	97	93	89	94	90	87
25	1286	0° - 90°	2280.2	100.0	3	91	85	80	89	84	79	87	82	78
35	813	90° - 180°	0.0	0.0	4	83	77	72	82	76	71	80	75	70
45	393	0° - 180°	2280.2	*100.0	5	77	70	65	76	69	65	74	68	64
55	122				6	71	64	59	70	64	59	69	63	59
65	72				7	66	59	54	65	59	54	64	58	54
75	40				8	62	55	50	61	54	50	60	54	50
85	16				9	58	51	46	57	51	46	56	50	46
90	0				10	54	47	43	54	47	43	53	47	43

Initial FC		50% beam -		10% beam -	
Center	Center	49.0°	FC	85.0°	FC
8.0	65.0	5.0	32.5	10.1	6.5
10.0	35.0	6.8	17.5	13.7	3.5
12.0	21.8	8.7	10.9	17.4	2.2
14.0	14.9	10.5	7.4	21.1	1.5
16.0	10.8	12.3	5.4	24.7	1.1

ALED 35/29 8AR DLR

INPUT WATTS: 57, DELIVERED LUMENS: 4196, LM/W=73.6, 0.9 S/MH, TEST NO. LTL19769



Ave	Lumens	Zone	Lumens	% Lamp	pf	80%			20%			50%		
						pc	50%	30%	10%	50%	30%	10%	50%	30%
0	2631	0° - 30°	1753.2	41.8	0	73	73	73	71	71	71	68	68	68
5	2610	0° - 40°	2296.9	54.7	1	68	66	65	66	65	63	64	63	62
15	2453	0° - 60°	2521.4	60.1	2	63	60	58	62	59	57	60	58	56
25	1824	0° - 90°	2571.5	61.3	3	58	55	52	57	54	52	56	53	51
35	867	90° - 180°	0.0	0.0	4	54	51	48	53	50	48	52	49	47
45	203	0° - 180°	2571.5	*61.3	5	51	47	44	50	46	44	49	46	44
55	52				6	47	44	41	47	43	41	46	43	40
65	27				7	44	41	38	44	40	38	43	40	38
75	15				8	42	38	35	41	38	35	41	37	35
85	6				9	39	36	33	39	35	33	38	35	33
90	0				10	37	33	31	37	33	31	36	33	31

Initial FC		50% beam -		10% beam -	
Center	Center	50.8°	FC	77.8°	FC
8.0	87.0	5.2	43.5	8.9	8.7
10.0	46.8	7.1	23.4	12.1	4.7
12.0	29.2	9.0	14.6	15.3	2.9
14.0	19.9	10.9	9.9	18.6	2.0
16.0	14.4	12.8	7.2	21.8	1.4

PHOTOMETRY NOTES

- Tested in accordance with IESNA LM-79-08.
- Tested to current IES and NEMA standards under stabilized laboratory conditions.
- Actual performance may differ as a result of end-user environment and application.
- Actual wattage may differ by +/- 10% when operating between 120-277V +/- 10%.
- CRI: 83 typical.
- Consult factory or IES file for microgroove baffle, black cone or other photometric reports.