

Gotham Architectural Downlighting
LED Downlights

6" Evo®
A-Series LED, Open Reflector

Solid-State Lighting

FEATURES

OPTICAL SYSTEM

- Self-flanged semi-specular, matte-diffuse or specular lower reflector
- Patented Bounding Ray™ optical design (U.S. Patent No. 5,800,050)
- 45° cutoff to source and source image
- Top-down flash characteristic

MECHANICAL SYSTEM

- 16-gauge galvanized steel construction; maximum 1-1/4" ceiling thickness
- Telescopic mounting bars maximum of 32" and minimum of 15", preinstalled, 4" vertical adjustment
- Toolless adjustments post installation
- Junction box capacity: 8 (4 in, 4 out) 12AWG rated for 90°C
- Light engine and driver accessible through aperture

ELECTRICAL SYSTEM

- Fully serviceable and upgradeable LED light engine
- 70% lumen maintenance at 50,000 hours based on IESNA LM-79-2008
- 120-277VAC, 50/60hz power supply with 0-10V dimming (10-100%); rated for 50,000-hour life
- Overload and short circuit protected

LISTINGS

- Fixtures are CSA certified to meet US and Canadian standards; wet location, covered ceiling

WARRANTY

- 5-year limited warranty. Complete warranty terms located at: www.acuitybrands.com/CustomerResources/Terms_and_conditions.aspx

ORDERING INFORMATION

EXAMPLE: ALED 35/10 6AR 120

Series	Color temperature	Nominal lumen values	Aperture/Trim color	Finish	Voltage	Driver	
ALED	27/ 2700 K	10 1000 lumens	6AR Clear	(blank) Semi-specular	MVOLT 120 277 347	(blank) ² 0-10V dimming driver. Minimum dimming level 10%	
	30/ 3000 K	14 1400 lumens	6PR Pewter	LD Matte diffuse			
	35/ 3500 K	18 1800 lumens	6WTR Wheat	LS Specular			
	41/ 4100 K			6GR Gold			ECOS3³ Lutron Hi-Lume® dimming driver. Minimum dimming level 1%
				6WR¹ White			

Options

SF Single fuse	TRBL Black painted flange
LRC Lithonia Reloc® system	ELR⁶ Emergency battery pack with remote test switch
NSD⁴ Sensor Switch nLight™ dimming relay	CP Chicago plenum
TRW⁵ White painted flange	

ACCESSORIES order as separate catalog numbers (shipped separately)

SCA6	Sloped ceiling adapter. Degree of slope must be specified (10D, 15D, 20D, 25D, 30D). Ex: SCA6 10D. Refer to TECH-190 .
CTA6 YKLED	Ceiling thickness adapter (extends mounting frame to accommodate ceiling thickness up to 2").
GVRT	Vandal-resistant trim accessory. Refer to TECH-200 .
ISD BC	0-10V wallbox dimmer. Refer to ISD-BC .

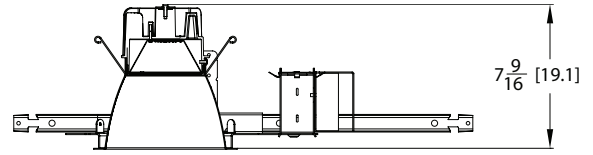
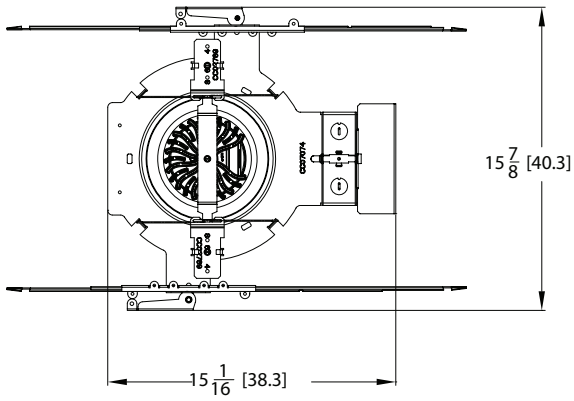
NOTES

ORDERING NOTES

1. Not available with finishes.
2. Refer to [TECH-240](#) for compatible dimmers.
3. CSA certified for US only.
4. One 5A relay with one 0-10 VDC dimming output, shipped installed. Requires additional nLight bus power supply (nPS80).
5. Not available with white reflector.
6. For dimensional changes, refer to [TECH-140](#).

DIMENSIONAL DATA

All dimensions are inches (centimeters) unless otherwise noted.

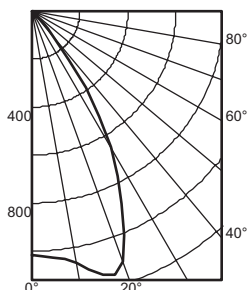


Aperture: 6-1/4 (15.9)
Ceiling Opening: 7-1/8 (18.1)
Overlap Trim: 7-3/4 (19.6)

Distribution Curve Distribution Data Output Data Coefficient of Utilization Illuminance: Single Luminaire 30" Above Floor

ALED 35/10 6AR LS

INPUT WATTS: 18.4, DELIVERED LUMENS: 1113.4, LM/W=60.5, 1.1 S/MH, TEST NO. LTL21133

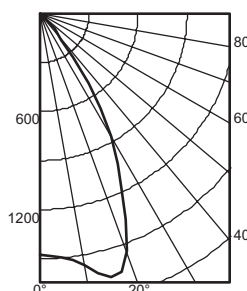


Ave	Lumens	Zone	Lumens	% Lamp	pf pc pw	80%			20%			50%		
						50%	30%	10%	50%	30%	10%	50%	30%	10%
0	1017	0° - 30°	822.0	73.8	0	119	119	119	116	116	116	111	111	111
5	1029	0° - 40°	1062.1	95.4	1	111	108	106	109	107	105	105	103	101
15	1139	0° - 60°	1112.7	99.9	2	103	99	96	102	98	95	98	95	93
25	885	0° - 90°	1113.4	100.0	3	97	92	88	95	91	87	93	89	86
35	391	90° - 180°	0.0	0.0	4	90	85	81	89	84	80	87	83	79
45	53	0° - 180°	1113.4	*100.0	5	85	79	75	84	78	74	82	77	74
55	1				6	79	73	69	79	73	69	77	72	69
65	1				7	75	69	64	74	68	64	73	68	64
75	0				8	70	64	60	70	64	60	69	63	60
85	0				9	66	60	56	66	60	56	65	60	56
90	0				10	63	57	53	62	57	53	61	56	53

Mounting Height	Initial FC Center					
	Beam	Diameter	FC	Diameter	FC	FC
8.0	33.6	5.9	16.8	8.8	3.4	
10.0	18.1	8.0	9.0	12.0	1.8	
12.0	11.3	10.2	5.6	15.2	1.1	
14.0	7.7	12.3	3.8	18.3	0.8	
16.0	5.6	14.4	2.8	21.5	0.6	

ALED 35/14 6AR LS

INPUT WATTS: 24.6, DELIVERED LUMENS: 1538.8, LM/W=62.6, 1.0 S/MH, TEST NO. LTL21127

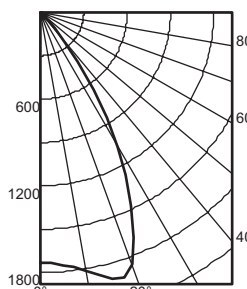


Ave	Lumens	Zone	Lumens	% Lamp	pf pc pw	80%			20%			50%		
						50%	30%	10%	50%	30%	10%	50%	30%	10%
0	1476	0° - 30°	1152.8	74.9	0	119	119	119	116	116	116	111	111	111
5	1498	0° - 40°	1470.5	95.6	1	111	109	106	109	107	105	105	103	101
15	1673	0° - 60°	1537.5	99.9	2	104	100	96	102	98	95	99	96	93
25	1192	0° - 90°	1538.8	100.0	3	97	92	88	95	91	87	93	89	86
35	520	90° - 180°	0.0	0.0	4	91	85	81	89	84	81	87	83	80
45	71	0° - 180°	1538.8	*100.0	5	85	79	75	84	79	75	82	78	74
55	2				6	80	74	70	79	74	70	78	73	69
65	1				7	75	69	65	74	69	65	73	68	65
75	0				8	71	65	61	70	65	61	69	64	61
85	0				9	67	61	57	66	61	57	65	60	57
90	0				10	63	58	54	63	57	54	62	57	54

Mounting Height	Initial FC Center					
	Beam	Diameter	FC	Diameter	FC	FC
8.0	48.8	5.7	24.4	8.6	4.9	
10.0	26.2	7.7	13.1	11.8	2.6	
12.0	16.4	9.8	8.2	14.9	1.6	
14.0	11.2	11.9	5.6	18.0	1.1	
16.0	8.1	13.9	4.1	21.2	0.8	

ALED 35/18 6AR LS

INPUT WATTS: 28.1, DELIVERED LUMENS: 1858.1, LM/W=66.1, 1.1 S/MH, TEST NO. LTL20947



Ave	Lumens	Zone	Lumens	% Lamp	pf pc pw	80%			20%			50%		
						50%	30%	10%	50%	30%	10%	50%	30%	10%
0	1728	0° - 30°	1374.7	74.0	0	119	119	119	116	116	116	111	111	111
5	1754	0° - 40°	1772.2	95.4	1	111	108	106	109	107	105	105	103	101
15	1912	0° - 60°	1856.8	99.9	2	103	99	96	102	98	95	98	96	93
25	1474	0° - 90°	1858.1	100.0	3	97	92	88	95	91	87	93	89	86
35	649	90° - 180°	0.0	0.0	4	90	85	81	89	84	80	87	83	79
45	88	0° - 180°	1858.1	*100.0	5	85	79	75	84	78	74	82	77	74
55	3				6	79	74	69	79	73	69	77	72	69
65	1				7	75	69	65	74	68	64	73	68	64
75	0				8	70	64	60	70	64	60	69	64	60
85	0				9	66	61	57	66	60	56	65	60	56
90	0				10	63	57	53	62	57	53	62	56	53

Mounting Height	Initial FC Center					
	Beam	Diameter	FC	Diameter	FC	FC
8.0	57.1	5.8	28.6	8.7	5.7	
10.0	30.7	7.9	15.4	11.9	3.1	
12.0	19.1	10.0	9.6	15.1	1.9	
14.0	13.1	12.1	6.5	18.3	1.3	
16.0	9.5	14.2	4.7	21.5	0.9	

PHOTOMETRY NOTES

- Tested in accordance with IESNA LM-79-08.
- Tested to current IES and NEMA standards under stabilized laboratory conditions.
- Actual performance may differ as a result of end-user environment and application.
- Actual wattage may differ by +/- 10% when operating between 120-277V +/- 10%.
- CRI: 83 typical.
- Consult factory or IES file for microgroove baffle, black cone or other photometric reports.