



Ring



Disk



Gotham Architectural Downlighting  
Decorative LED Downlights

**6" Evo®**  
A-Series LED, Drop Luminous Ring/Disk

Solid-State Lighting

FEATURES

**OPTICAL SYSTEM**

- Self-flanged semi-specular, matte-diffuse or specular lower reflector
- Patented Bounding Ray™ optical design (U.S. Patent No. 5,800,050)
- 45° cutoff to source and source image
- Decorative element: 3/16"-thick low-iron glass with polished edges and sandblasted finish
- Precision-machined aluminum hardware with threaded spacers

**MECHANICAL SYSTEM**

- 16-gauge galvanized steel construction; maximum 1-1/4" ceiling thickness
- Telescopic mounting bars maximum of 32" and minimum of 15", preinstalled, 4" vertical adjustment
- Toolless adjustments post installation
- Junction box capacity: 8 (4 in, 4 out ) 12AWG rated for 90°C
- Light engine and driver accessible through aperture

**ELECTRICAL SYSTEM**

- Fully serviceable and upgradeable LED light engine
- 70% lumen maintenance at 50,000 hours based on IESNA LM-79-2008
- 120-277VAC, 50/60hz power supply with 0-10V dimming (10-100%); rated for 50,000-hour life
- Overload and short circuit protected

**LISTINGS**

- Fixtures are CSA certified to meet US and Canadian standards; wet location, covered ceiling

**WARRANTY**

- 5-year limited warranty. Complete warranty terms located at: [www.acuitybrands.com/CustomerResources/Terms\\_and\\_conditions.aspx](http://www.acuitybrands.com/CustomerResources/Terms_and_conditions.aspx)

ORDERING INFORMATION

**EXAMPLE: ALED 35/10 6AR DLR 120**

Series	Color temperature	Nominal lumen values	Aperture/Trim color	Decorative element	Finish	Voltage
ALED	27/ 2700 K	10 1000 lumens	6AR Clear	DLR Drop luminous ring	(blank) Semi-specular	MVOLT
	30/ 3000 K	14 1400 lumens	6PR Pewter	DLD Drop luminous disk	LD Matte diffuse	120
	35/ 3500 K	18 1800 lumens	6WTR Wheat		LS Specular	277
	41/ 4100 K		6GR Gold			347
			6WR <sup>1</sup> White			

Driver	Options
(blank) <sup>2</sup> 0-10V dimming driver. Minimum dimming level 10%	SF Single fuse
ECOS3 <sup>2,3</sup> Lutron Hi-Lume® dimming driver. Minimum dimming level 1%	LRC Lithonia Reloc® system
	NSD <sup>4</sup> Sensor Switch nLight™ dimming relay
	TRW <sup>5</sup> White painted flange
	TRBL Black painted flange
	ELR <sup>6</sup> Emergency battery pack with remote test switch
	CP Chicago plenum

ACCESSORIES order as separate catalog numbers (shipped separately)

ISD BC 0-10V wallbox dimmer. Refer to [ISD-BC](#).

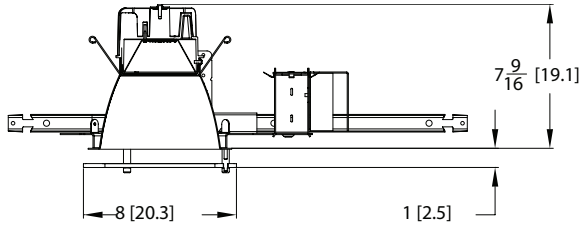
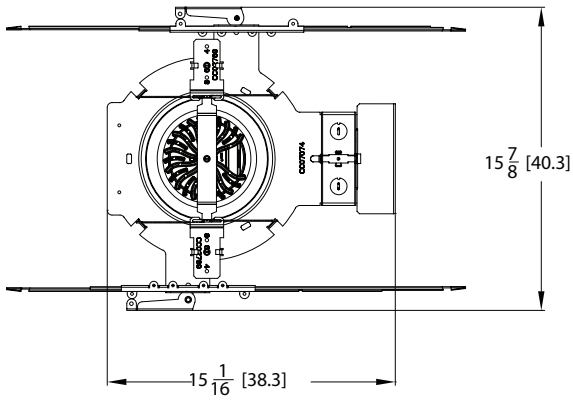
NOTES

**ORDERING NOTES**

1. Not available with finishes.
2. Refer to [TECH-240](#) for compatible dimmers.
3. CSA certified for US only.
4. One 5A relay with one 0-10 VDC dimming output, shipped installed. Requires additional nLight bus power supply (nPS80).
5. Not available with white reflector.
6. For dimensional changes, refer to [TECH-140](#).

DIMENSIONAL DATA

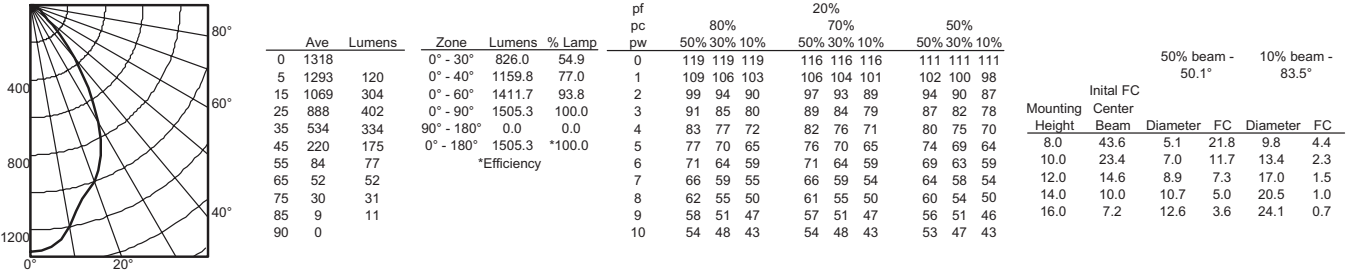
All dimensions are inches (centimeters) unless otherwise noted.



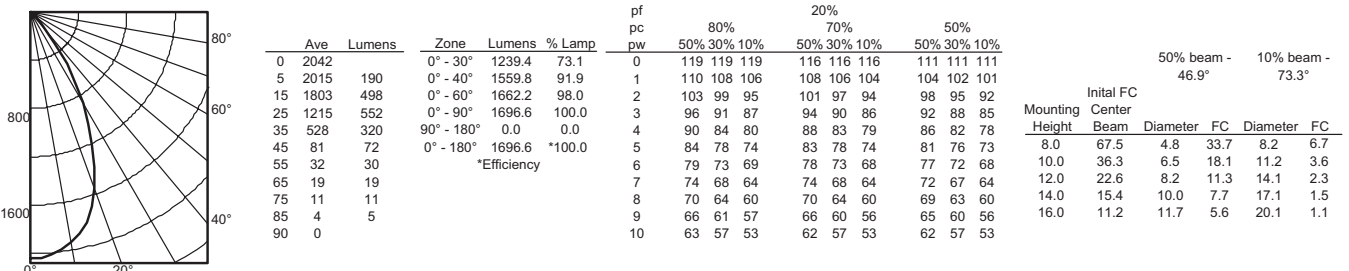
Aperture: 6-1/4 (15.9)  
Ceiling Opening: 7-1/8 (18.1)  
Overlap Trim: 7-3/4 (19.6)

Distribution Curve    Distribution Data    Output Data    Coefficient of Utilization    Illuminance: Single Luminaire 30" Above Floor

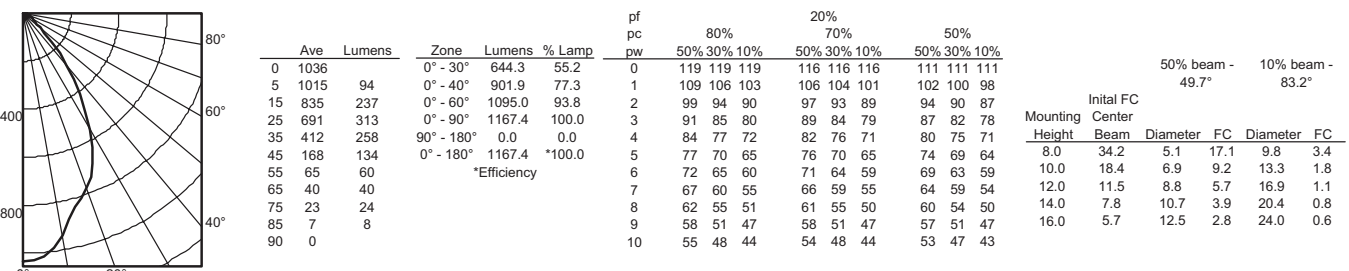
**ALED 35/18 6AR DLD**    INPUT WATTS: 37, DELIVERED LUMENS: 1505, LM/W=40.7, 0.9 S/MH, TEST NO. LTL19773



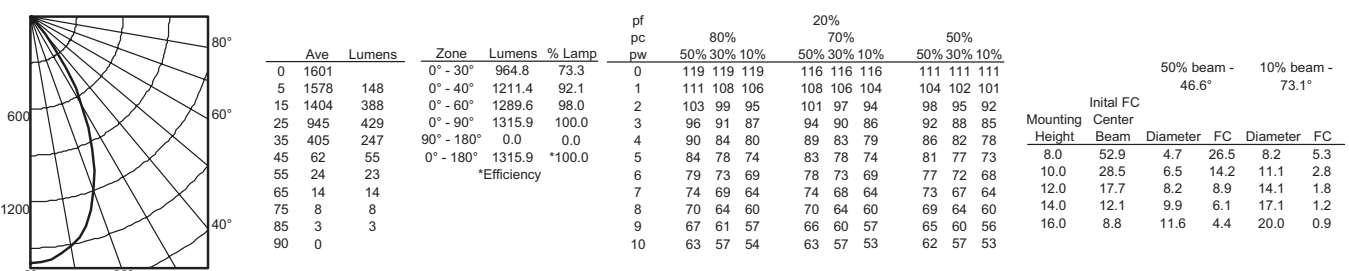
**ALED 35/18 6AR DLR**    INPUT WATTS: 37, DELIVERED LUMENS: 1696, LM/W=45.8, 0.9 S/MH, TEST NO. LTL19774



**ALED 35/14 6AR DLD**    INPUT WATTS: 30, DELIVERED LUMENS: 1167, LM/W=38.9, 0.9 S/MH, TEST NO. LTL19772



**ALED 35/14 6AR DLR**    INPUT WATTS: 31, DELIVERED LUMENS: 1315, LM/W=42.4, 0.9 S/MH, TEST NO. LTL19771



**PHOTOMETRY NOTES**

- Tested in accordance with IESNA LM-79-08.
- Tested to current IES and NEMA standards under stabilized laboratory conditions.
- Actual performance may differ as a result of end-user environment and application.
- Actual wattage may differ by +/- 10% when operating between 120-277V +/- 10%.
- CRI: 83 typical.
- Consult factory or IES file for microgroove baffle, black cone or other photometric reports.